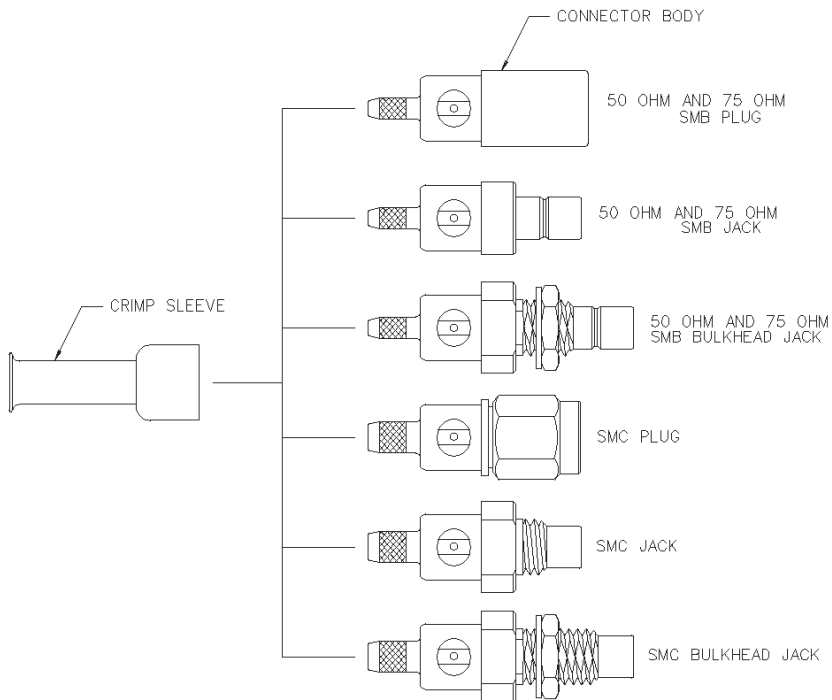
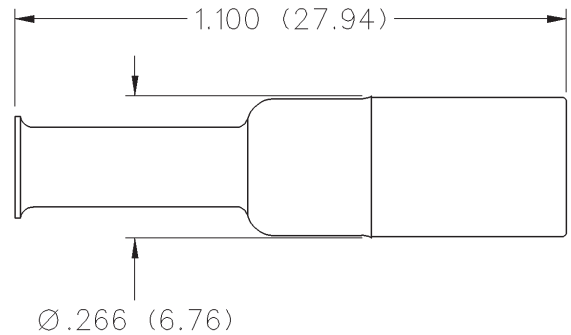


50 Ohm SMB Straight Crimp Type Plug - Die Cast - Solder or Crimp Captivated Contact



| CABLE TYPE | GOLD PLATED | NICKEL PLATED |
|-------------------------------------|--------------|---------------|
| RG-316DS, 188 DS, 179 DS, 187 DS | 131-1404-001 | 131-1404-016 |

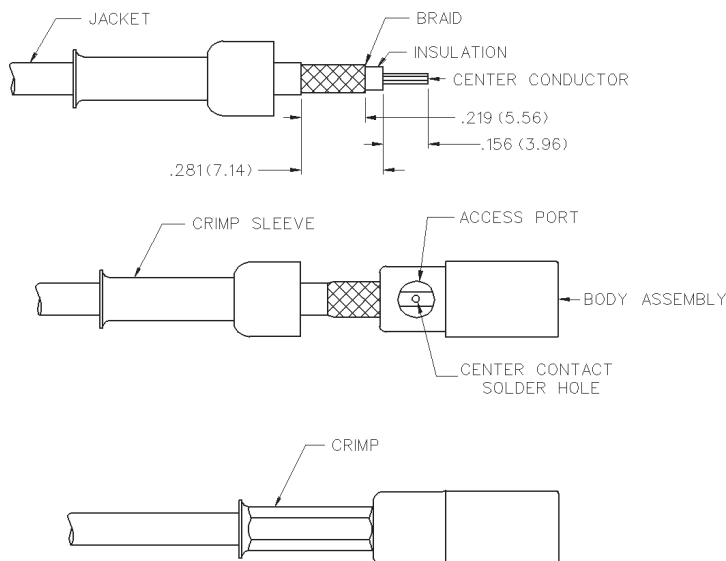


| CABLE GROUP | PART NUMBER | CRIMP HEX |
|---------------------------|------------------|-------------|
| RG-316DS, 188DS, 179DS | 131-1404-001/016 | .151 (3.83) |

1. Identify connector parts. (2 piece parts - except bulkhead)
2. Strip cable to dimensions shown. Do not nick braid or center conductor. A wire stripper of correct size is recommended for this step. Twist stranded center conductor into tight bundle and tin. Slide crimp sleeve onto cable as shown.
3. Flare braid and slide cable into body making certain that the cable insulation bottoms in center contact.

Solder Attachment: Solder center conductor to contact through the side access ports and hole in center contact. Use a minimum amount of solder for a full fillet joint. **.020 (0.51) diameter solder is recommended.**

Crimp 50 Ohm connector contacts with 141-0000-911 dieset in 144-900 tool frame. Crimp 75 Ohm connector contacts with 141-0000-924 dieset in 144-0000-900 tool frame.



SMB - 50 Ohm Connectors

Specifications



ELECTRICAL RATINGS

Impedance: 50 ohms

Frequency Range: Connectors 0-4 GHz
 Dummy loads 0-1 GHz

VSWR: (f = GHz) Straight Right Angle
 Cabled Cabled

RG-178 cable 1.30 + .04f 1.45 + .06f
 RG-316, RG-58, and .086 semi-rigid cable 1.25 + .04f 1.35 + .04f
 Adapters 1.20 + .04f
 Uncabled receptacles, dummy loads N/A

Working Voltage: (Vrms maximum)†

| Connectors for Cable Type | Sea Level | 70K Feet |
|--|-----------|----------|
| RG-178 | 250 | 60 |
| RG-316, RG-58, .086 semi-rigid uncabled receptacles, adapters | 335 | 85 |
| Dummy loads | N/A | |

Dielectric Withstanding Voltage: (VRMS minimum at sea level)†

| | |
|--|------|
| Connectors for RG-178 | 750 |
| Connectors for RG-316, RG-58, .086 semi-rigid, uncabled receptacles, adapters | 1000 |
| Dummy loads | N/A |

Corona Level: (Volts minimum at 70,000 feet)†

| | |
|---|-----|
| Connectors for RG-178 | 185 |
| Connectors for RG-316, RG-58, .086 semi-rigid | 250 |
| Uncabled receptacles, adapters, dummy loads | N/A |

Insertion Loss: (dB maximum, tested at 1.5 GHz)

| | |
|--|---------|
| Straight cable connectors | 0.30 dB |
| Right angle cable connectors | 0.60 dB |
| Uncabled receptacles, adapters and dummy loads | N/A |

Insulation Resistance: 1000 megohms minimum

| Contact Resistance: (milliohms maximum) | Initial | After Environmental |
|---|---------|---------------------|
| Center contact (straight cabled connectors and uncabled receptacles) | 6.0 | 8.0 |
| Center contact (right angle cabled connectors and adapters) | 12.0 | 16.0 |
| Outer contact (gold plated connectors) | 1.0 | 1.5 |
| Outer contact (nickel plated connectors) | 2.5 | 3.5 |
| Braid to body (gold plated connectors) | 1.0 | N/A |
| Braid to body (nickel plated connectors) | 2.5 | N/A |

RF Leakage: (dB minimum tested at 2.5 GHz)

| | |
|--|--------|
| Cable connectors | -55 dB |
| Uncabled receptacles, adapters and dummy loads | N/A |

RF High Potential Withstanding Voltage: (Vrms minimum, tested at 4 and 7 MHz)†

| | |
|-----------------------------------|-----|
| Connectors for RG-178 | 500 |
| Connectors for RG-316, RG-58 | 700 |
| Uncabled receptacles and adapters | 600 |
| Dummy loads | N/A |

Power Rating (Dummy Load): 0.5 watt @ +25°C, derated to 0.25 watt @ +125°C

MECHANICAL RATINGS

Engagement Design: MIL-C-39012, Series SMB

Engagement/Disengagement Force: 2 pounds min to 14 pounds maximum axial force

Contact Retention: 4 lbs. min axial force (captivated contacts)

1 inch-ounce min torque (uncabled receptacles)

Cable Retention: Axial Force* (pounds) Torque (in-oz)

| | | |
|--------------------------------|----|-----|
| Connectors for RG-178 | 10 | N/A |
| Connectors for RG-316 | 20 | N/A |
| Connectors for RG-58 | 40 | 16 |
| Connectors for .086 semi-rigid | 30 | 16 |

* or cable breaking strength whichever is less.

Durability: 500 cycles minimum

ENVIRONMENTAL RATINGS

(Meets or exceed the applicable paragraph of MIL-C-39012)

| | |
|-------------------------------|-------------------|
| Temperature Range: Connectors | - 65°C to + 165°C |
| Dummy loads | - 65°C to + 125°C |

Thermal Shock: MIL-STD-202, Method 107, Condition B (N/A dummy loads)

Corrosion: MIL-STD-202, Method 101, Condition B (N/A dummy loads)

Shock: MIL-STD-202, Method 213, Condition B (N/A dummy loads)

Vibration: MIL-STD-202, Method 204, Condition B (N/A dummy loads)

MATERIAL SPECIFICATIONS

Bodies: Brass per QQ-B-626 or zinc per ASTM B86-71, gold plated** per MIL-G-45204 .00001 min or nickel plated per QQ-N-290

Contacts: Male - brass per QQ-B-626, gold plated per MIL-G-45204 .00003" min.

Female - beryllium copper per QQ-C-530, gold plated per MIL-G-45204 .00003" min.

Insulators: PTFE fluorocarbon per ASTM D 1710 and ASTM D 1457 OR Teflon PFA 340

Expansion Caps: Brass per QQ-B-613, gold plated per MIL-G-45204 .00001" min. or nickel plated per QQ-N-290

Crimp Sleeves: Copper per WW-T-799, gold plated per MIL-G-45204 .00001" min. or nickel plated per QQ-N-290

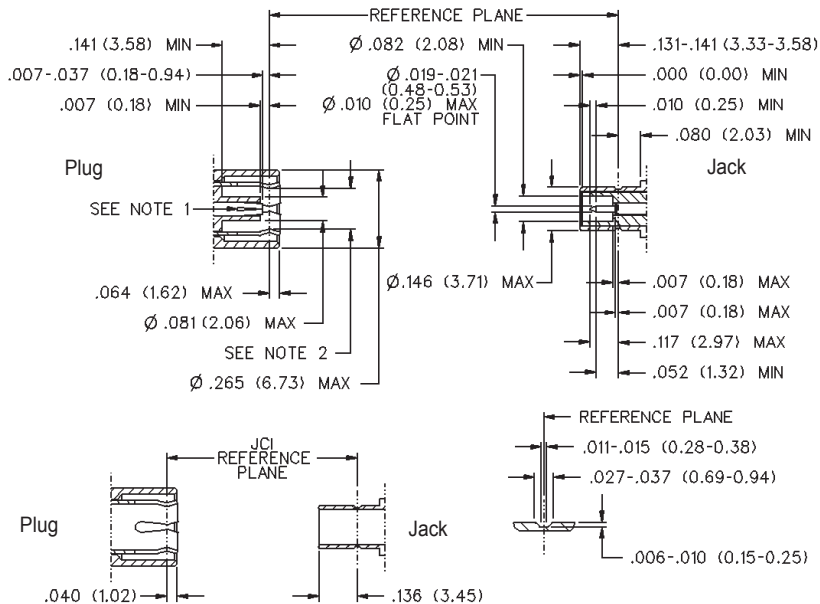
Mounting Hardware: Brass (nuts) per QQ-B-626 or phosphor bronze (lockwashers) QQ-B-750, gold plated per MIL-G-45204 .00001" min. or nickel plated per QQ-N-290

Cover Rings: Phosphor Bronze per QQ-B-750, gold plated per MIL-G-45204 .00001 min. or nickel plated per QQ-N-290.

†Avoid user injury due to misapplication. See safety advisory definitions inside front cover.

** All gold plated parts include a .00005" min. nickel underplate barrier layer.

MATING ENGAGEMENT FOR SMB SERIES PER MIL-C-39012



Notes

1. ID of contact to meet VSWR mating characteristics and connector durability when mated with a dia .019 / 0.53 male contact.
2. Must meet the force to engage and disengage when mated with mating part.