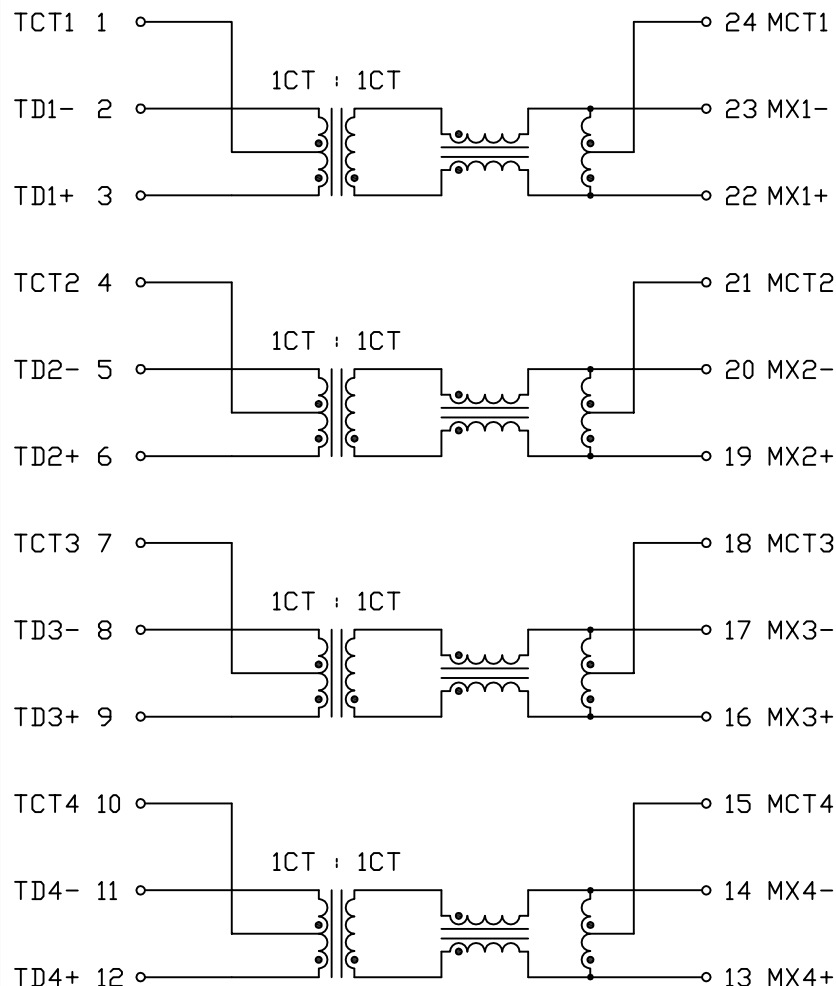


THE INFORMATION CONTAINED HEREIN IS CONSIDERED 'PROPRIETARY' TO BEL FUSE INC. AND SHALL NOT BE COPIED, REPRODUCED OR DISCLOSED WITHOUT THE WRITTEN APPROVAL OF BEL FUSE INC.



SCHEMATIC



ELECTRICAL CHARACTERISTICS @25°C

URNS RATIO

| | |
|-------------------------|-----------|
| (3-1-2) : (22-24-23) | 1CT : 1CT |
| (6-4-5) : (19-21-20) | 1CT : 1CT |
| (9-7-8) : (16-18-17) | 1CT : 1CT |
| (12-10-11) : (13-15-14) | 1CT : 1CT |

POLARITY

PER DOT CONVENTION

DCL

| | |
|-----------------------|--------------------------|
| (23-22), (20-19) | 350µH MIN @100kHz, 100mV |
| (17-16), (14-13) | WITH 8mA DC BIAS |
| OPERATING TEMPERATURE | -40°C TO +85°C |

INSERTION LOSS

1.1dB MAX @0.1 TO 1MHz
1.0dB MAX @1 TO 100MHz

COMMON TO COMMON MODE REJECTION

22.0dB MIN @30MHz
23.0dB MIN @50MHz
20.5dB MIN @80MHz
20.0dB MIN @100MHz

RETURN LOSS

18dB MIN @0.5 TO 40MHz
12-20LOG (f/80MHz) MIN
@40 TO 100MHz

CROSSTALK

33-20LOG (f/100MHz) dB MIN
@1-100MHz

HIPOT

LEAKAGE CURRENT LESS THAN 1mA AT 1500VAC

| | |
|---------------|------------|
| ORIGINATED BY | DATE |
| Alice Pang | 2021-01-27 |
| DRAWN BY | DATE |
| ZC Guo | 2021-01-27 |

| |
|--------------------------|
| TITLE |
| ELECTRICAL SPECIFICATION |
| S558-5999-AC-F |

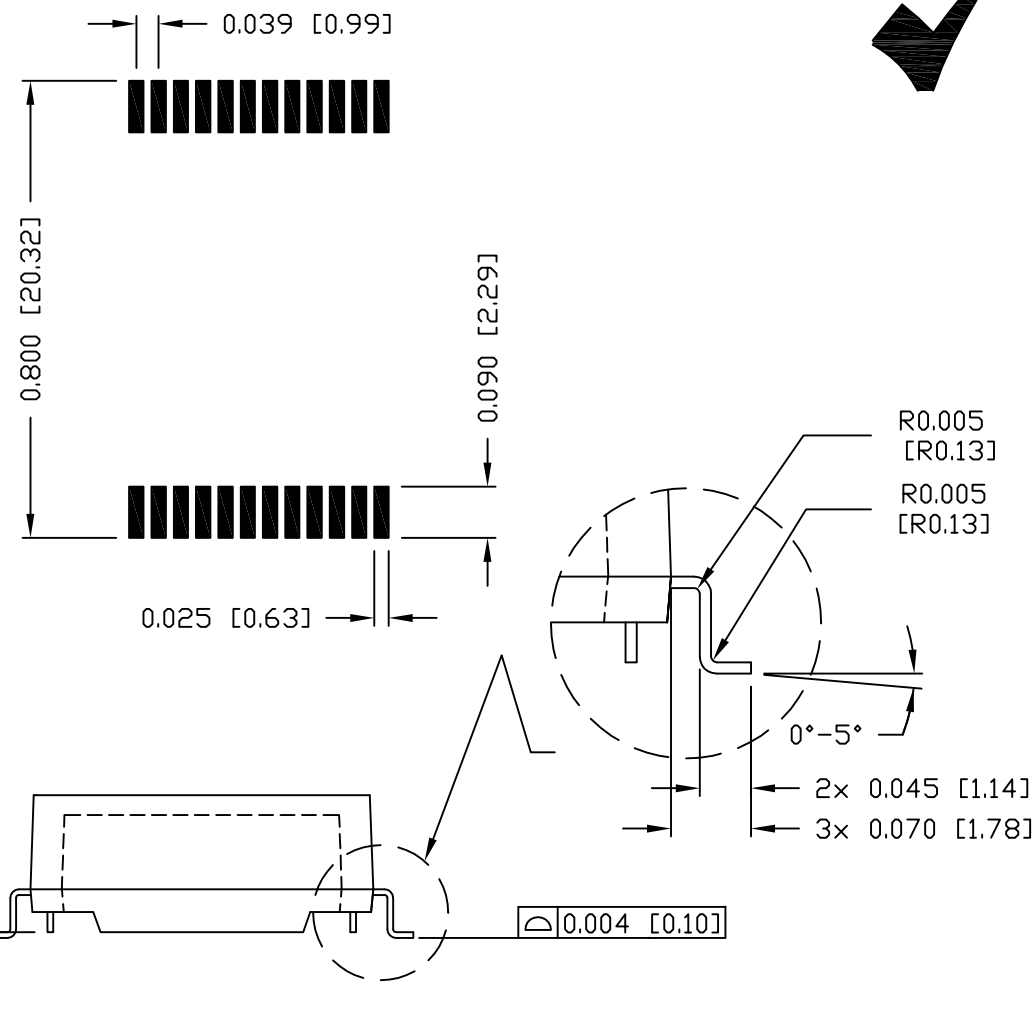
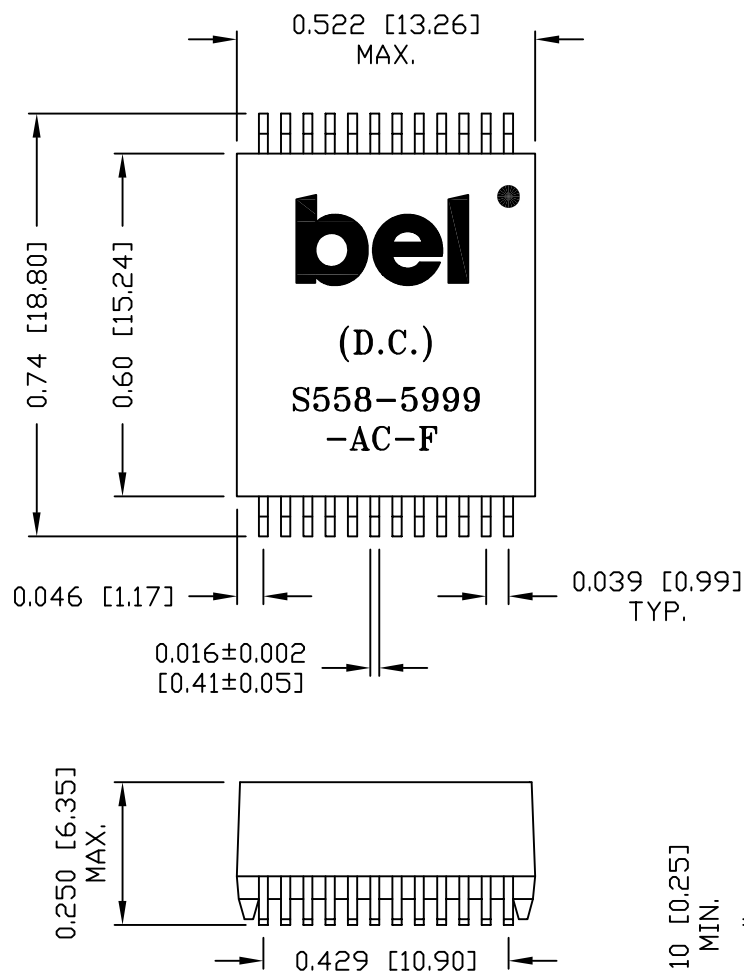
| |
|------------------------|
| PART NO. / DRAWING NO. |
| S558-5999-AC-F |
| FILE NAME |
| S5585999ACFA.DWG |

| | |
|---------------|-------------------------|
| STANDARD DIM. | [] METRIC DIM. AS REF. |
| TOL. IN INCH | UNIT : INCH [mm] |
| .X | SCALE : N/A |
| .XX | SIZE : A4 |
| .XXX | |

| | |
|----------|----------|
| REV. : A | PAGE : 2 |
| | |

THE INFORMATION CONTAINED HEREIN IS CONSIDERED "PROPRIETARY" TO BEL FUSE INC. AND SHALL NOT BE COPIED, REPRODUCED OR DISCLOSED WITHOUT THE WRITTEN APPROVAL OF BEL FUSE INC.

SUGGESTED PCB PAD LAYOUT



NOTES:

1. STANDARD MARKING REFER TO DOC. HAND-WORK-04.
2. PACKAGE CODE: "QTS001".

| | |
|----------------|------------|
| ORIGINATED BY | DATE |
| Lawrence Tsang | 2021-01-27 |
| DRAWN BY | DATE |
| ZC Guo | 2021-01-27 |

| |
|--------------------|
| TITLE |
| MECHANICAL DRAWING |
| S558-5999-AC-F |

| |
|------------------------|
| PART NO. / DRAWING NO. |
| S558-5999-AC-F |
| FILE NAME |
| S5585999ACFA.DWG |

| | |
|---------------|-------------------------|
| STANDARD DIM. | [] METRIC DIM. AS REF. |
| TOL. IN INCH | UNIT : INCH [mm] |
| .X | SCALE : N/A |
| .XX ±0.01 | SIZE : A4 |
| .XXX ±0.005 | |

| | |
|----------|----------|
| REV. : A | PAGE : 3 |
| | |