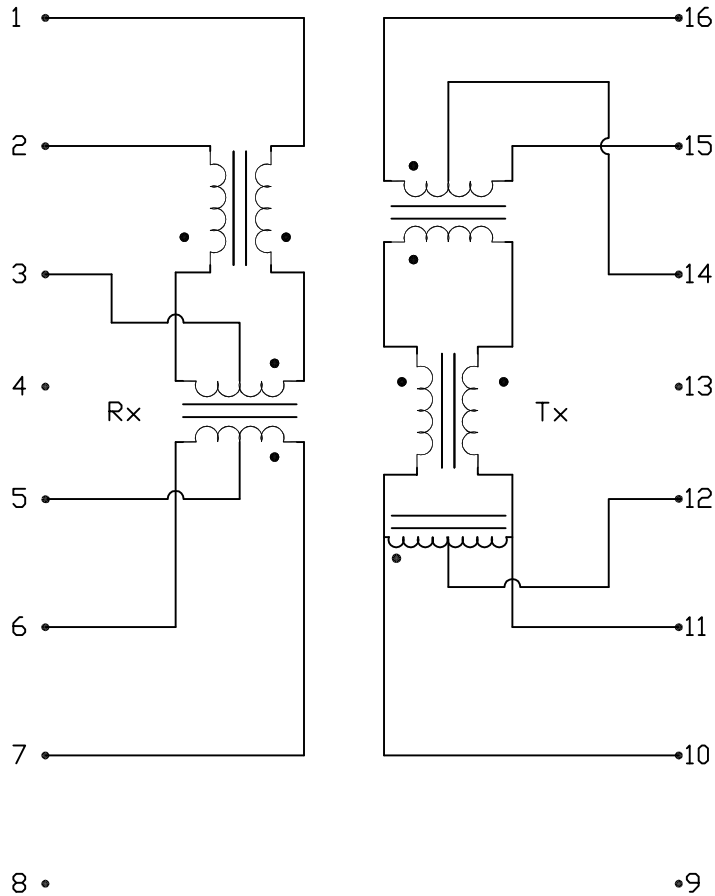


THE INFORMATION CONTAINED HEREIN IS CONSIDERED "PROPRIETARY" TO BEL FUSE INC. AND SHALL NOT BE COPIED, REPRODUCED OR DISCLOSED WITHOUT THE WRITTEN APPROVAL OF BEL FUSE INC.

ELECTRICAL CHARACTERISTICS @ 25°C



SCHEMATIC



URNS RATIO  
 (1-3-2) : (7-5-6)  
 (16-14-15) : (10-12-11)

1CT : 1CT  
 1CT : 1CT

PHASING  
 □CL  
 (7-6) □PEN 1 & 2  
 (10-11) □PEN 16 & 15

1 TO 7 AND 16 TO 10 IN PHASE

420uH MIN. AT 100kHz, 100mV  
 WITH 8mA DC BIAS

INSERTION LOSS

1.0dB MAX AT 100kHz TO 80MHz

RETURN LOSS  
 MEASURED UNDER 100Ω  
 ENVIRONMENT (16-15) TO (10-11)  
 (6-7) TO (1-2)

FREQ	2MHz	10MHz	30MHz	45MHz	60MHz	80MHz
MIN.	20dB	20dB	19dB	16dB	13dB	12dB

RETURN LOSS  
 MEASURED UNDER 25 AND 100Ω  
 IMPEDANCE ENVIRONMENT ACROSS  
 (16-14) AND (10-11)  
 RESPECTIVELY

17dB MIN AT 5MHz & 10MHz

CMDR

40dB MIN AT 100kHz TO 50MHz  
 30dB MIN ABOVE 50M TO 100MHz

CROSSTALK  
 HIPDT

30dB MIN AT 100kHz TO 100MHz  
 LEAKAGE CURRENT LESS THAN 1mA AT 1500VAC

NOTES :  
 THIS PRODUCT HAS BEEN SUPPLYING TO  
 JAPAN CUSTOMERS. PCN PROCESS NEEDS  
 TO COMPLY WITH 4M CRITERIA.

REV. : A      PAGE : 2

ORIGINATED BY	DATE
Alice Pang	2021-01-26
DRAWN BY	DATE
ZC Guo	2021-01-26

TITLE
ELECTRICAL SPECIFICATION
S558-5999-46-F

PART NO. / DRAWING NO.
S558-5999-46-F
FILE NAME
S558599946FA.DWG

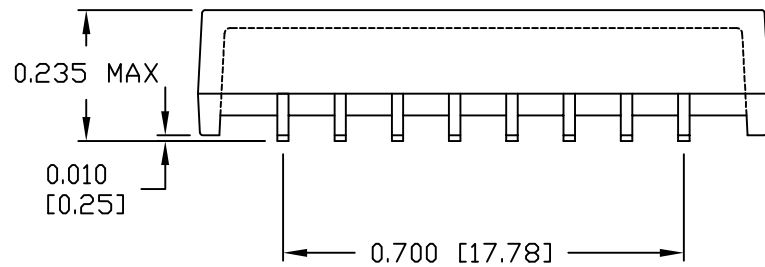
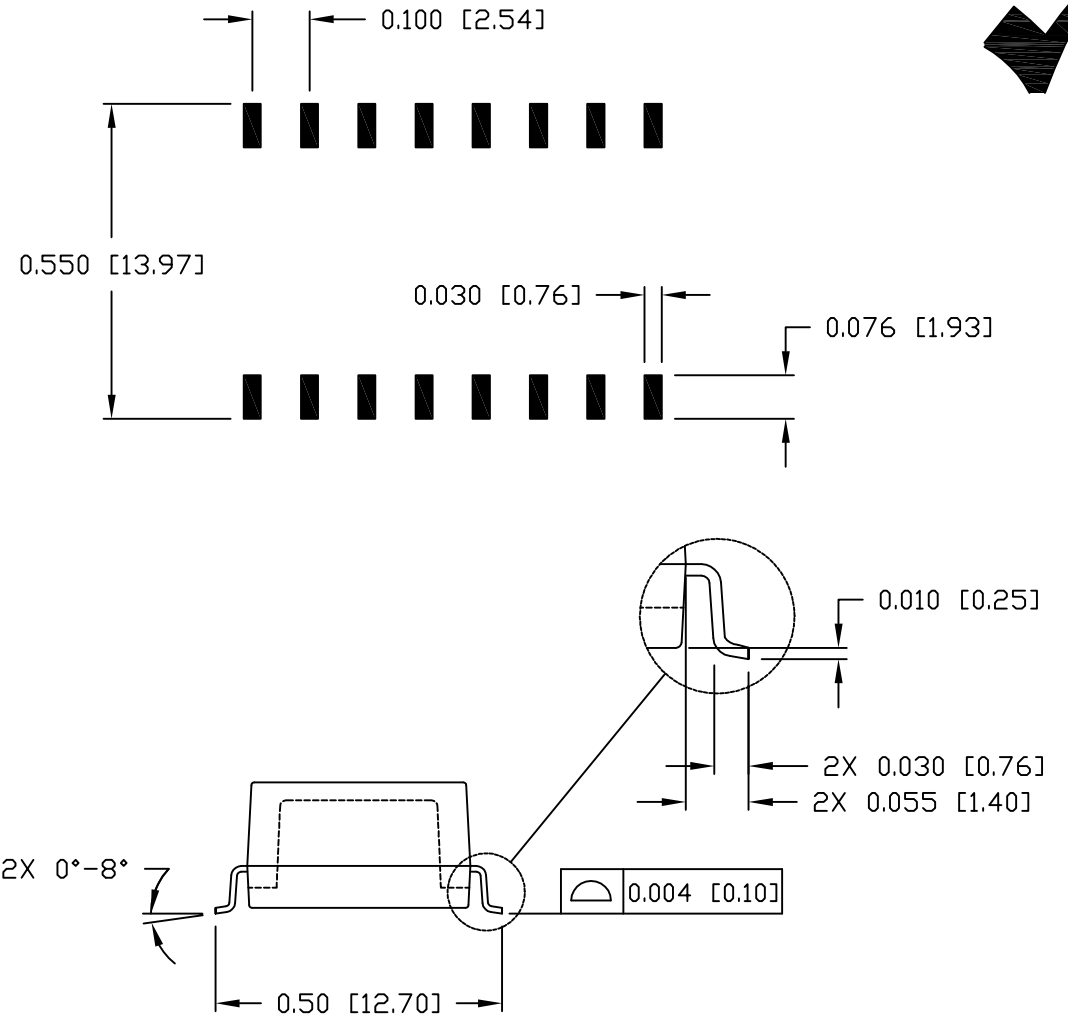
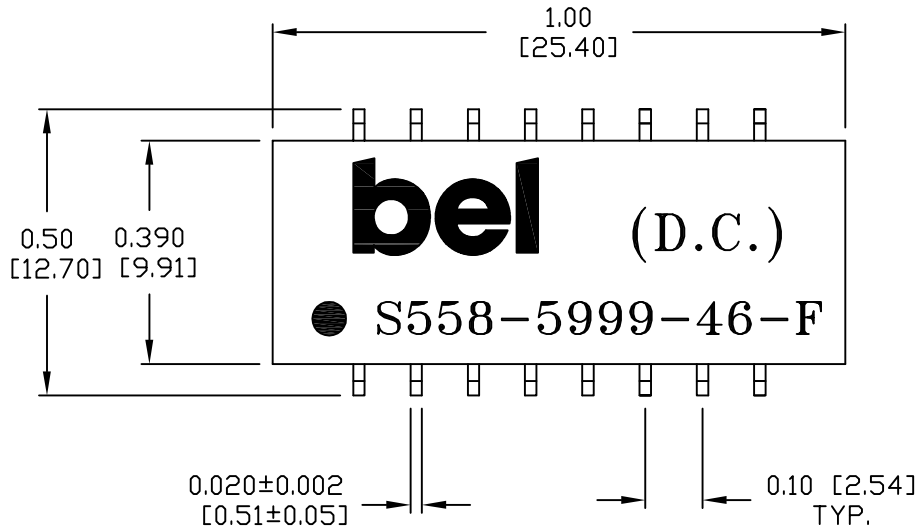
STANDARD DIM.	[ ] METRIC DIM. AS REF.
TOL. IN INCH	UNIT : INCH [mm]
.X	SCALE : N/A
.XX	SIZE : A4
.XXX	



THE INFORMATION CONTAINED HEREIN IS CONSIDERED "PROPRIETARY" TO BEL FUSE INC. AND SHALL NOT BE COPIED, REPRODUCED OR DISCLOSED WITHOUT THE WRITTEN APPROVAL OF BEL FUSE INC.

SUGGESTED PCB PAD LAYOUT

RoHS



NOTES :

1. STANDARD MARKING REFER TO DDC, HAND-WORK-04.
2. PACKAGE CODE: "RNS001".
3. THIS PRODUCT HAS BEEN SUPPLYING TO JAPAN CUSTOMERS. PCN PROCESS NEEDS TO COMPLY WITH 4M CRITERIA.

ORIGINATED BY	DATE	TITLE	PART NO. / DRAWING NO.	STANDARD DIM.	[ ] METRIC DIM. AS REF.	REV. : A	PAGE : 3
Lawrence Tsang	2021-01-26	MECHANICAL DRAWING S558-5999-46-F	S558-5999-46-F	TOL. IN INCH	UNIT : INCH [mm]	 POWER   PROTECT   CONNECT	
DRAWN BY	DATE		FILE NAME	.X	SCALE : N/A		
ZC Guo	2021-01-26		S558599946FA.DWG	.XX ±0.01	SIZE : A4		
				.XXX ±0.005			