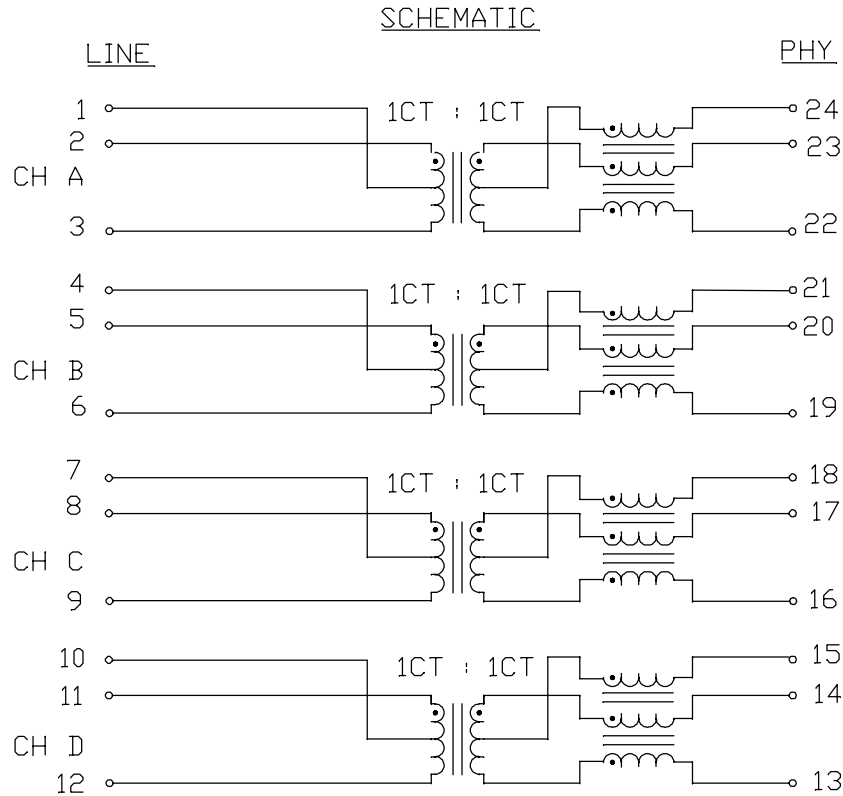


THE INFORMATION CONTAINED HEREIN IS CONSIDERED "PROPRIETARY" TO BEL FUSE INC. AND SHALL NOT BE COPIED, REPRODUCED OR DISCLOSED WITHOUT THE WRITTEN APPROVAL OF BEL FUSE INC.

ELECTRICAL SPECIFICATION @25°C

RoHS



URNS RATIO

(2-1-3) : (23-24-22)
 (5-4-6) : (20-21-19)
 (8-7-9) : (17-18-16)
 (11-10-12) : (14-15-13)

1CT : 1CT
 1CT : 1CT
 1CT : 1CT
 1CT : 1CT

POLARITY

PER DOT CONVENTION

□CL

@100kHz, 100mV, 19mA DC BIAS
 @100kHz, 100mV

120uH MIN
 180uH MIN

HIPOT

LEAKAGE CURRENT LESS THAN 1mA AT 2250VDC

INSERTION LOSS

FREQ(MHZ)	1	2-300	400	500
MAX (dB)	0.3	1.0	1.5	2.0

RETURN LOSS

(100 OHM LINESIDE LOAD)

FREQ(MHZ)	1	2-100	200	500	600
MIN (dB)	18	20	15	12	9

COMM. TO DIFF. MODE
 REJECTION

FREQ(MHZ)	50	100	200	300	400	500
MAX (dB)	48	42	36	33	30	28

DIFF. TO COMM. MODE
 REJECTION

FREQ(MHZ)	50	100	200	300	400	500
MAX (dB)	30	27	24	22	21	20

BALANCED DC LINE CURRENT: 600mA NOMINAL CONTINUOUS
 720mA MAXIMUM CONTINUOUS
 1.2A MAXIMUM FOR 200mS

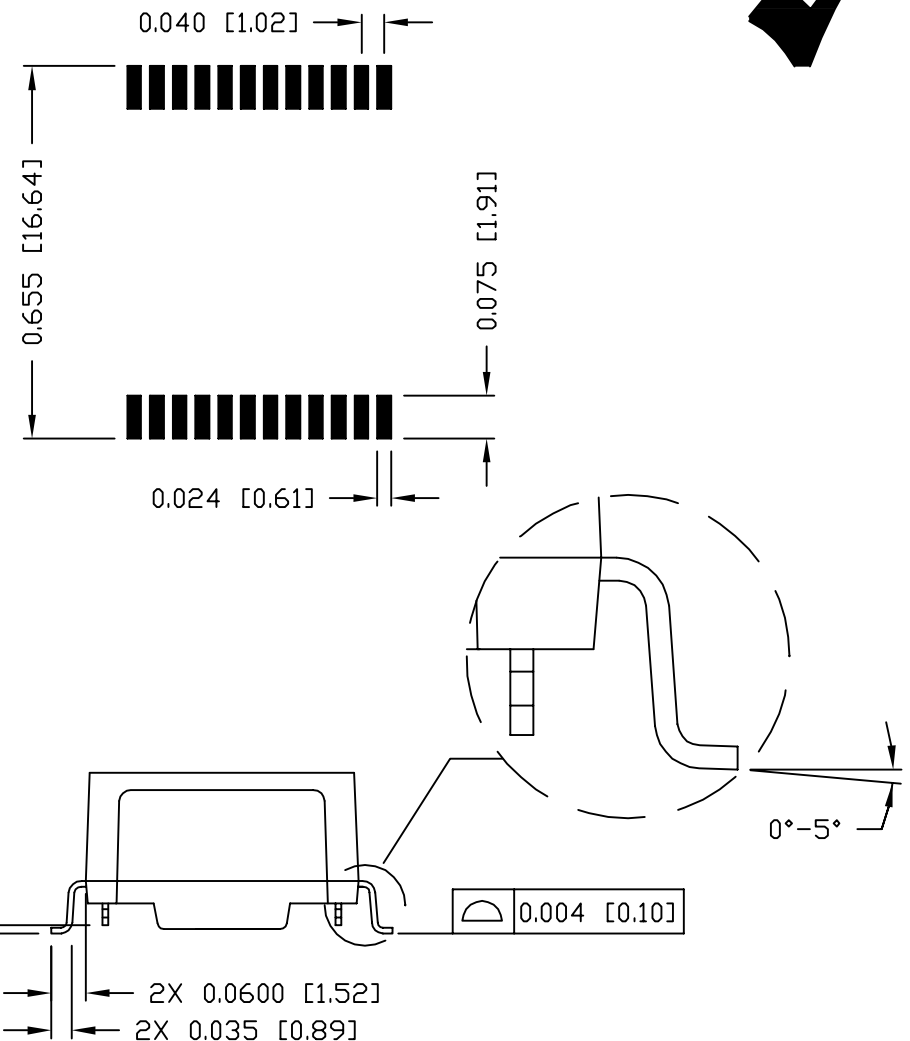
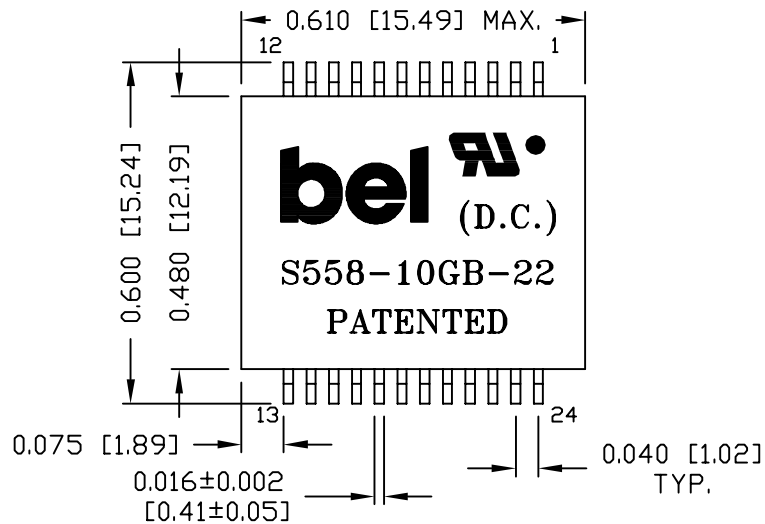
DESIGNED FOR EXTENDED TEMPERATURE 10G 60W POE APPLICATIONS

* INTERNAL USE ONLY

ORIGINATED BY		DATE	TITLE	PART NO. / DRAWING NO.		STANDARD DIM.		[] METRIC DIM. AS REF.		REV. : C	PAGE : 2	
ZJ CHEN		2023-12-01		ELECTRICAL SPECIFICATION	S558-10GB-22		TOL. IN INCH		UNIT : INCH [mm]			
DRAWN BY		DATE			FILE NAME		.X		SCALE : N/A			
JL WU		2023-12-01	S55810GB22C.DWG		.XX		SIZE : A4					

THE INFORMATION CONTAINED HEREIN IS CONSIDERED 'PROPRIETARY' TO BEL FUSE INC. AND SHALL NOT BE COPIED, REPRODUCED OR DISCLOSED WITHOUT THE WRITTEN APPROVAL OF BEL FUSE INC.

SUGGESTED PCB PAD LAYOUT



NOTES:

- STANDARD MARKING REFER TO DOC. HAND-WORK-04.
- PACKAGE CODE: "QABS001".

ORIGINATED BY	DATE	TITLE	PART NO. / DRAWING NO.	STANDARD DIM.	[] METRIC DIM. AS REF.	REV. : A	PAGE : 3
Lawrence Tsang	2020-05-15	MECHANICAL SPECIFICATION	S558-10GB-22	TOL. IN INCH	UNIT : INCH [mm]	 POWER PROTECT CONNECT	
DRAWN BY	DATE		FILE NAME	.X	SCALE : N/A		
ZC Guo	2020-05-15		S55810GB22A.DWG	.XX ±0.01	SIZE : A4		
				.XXX ±0.005			