

THE INFORMATION CONTAINED HEREIN IS CONSIDERED "PROPRIETARY" TO BEL FUSE INC. AND SHALL NOT BE COPIED, REPRODUCED OR DISCLOSED WITHOUT THE WRITTEN APPROVAL OF BEL FUSE INC.

RoHS



ELECTRICAL CHARACTERISTICS @ 25°C

URNS RATIO

TP1	1CT : 1CT ±2%
TP2	1CT : 1CT ±2%
TP3	1CT : 1CT ±2%
TP4	1CT : 1CT ±2%

□CL @ 100kHz/100mVRMS

(-40°C - +85°C)	180µH MIN.
19mA DC BIAS (-40°C - +85°C)	120µH MIN.

INS. LOSS

1MHz TO 150MHz	-0.004(fMHZ)-0.4 dB MAX
----------------	-------------------------

RET. LOSS

1MHz-40MHz	-16 dB MIN
40.1MHz-150MHz	-16+10LOG(f/40MHZ) dB MIN

CROSSTALK

1MHz - 40MHz	-35 dB MIN
40.1MHz-150MHz	-35+15LOG(f/40MHZ) dB MIN

CM TO CM REJ

1MHz - 150MHz	-25 dB MIN
---------------	------------

HIPOT (Isolation Voltage): 2250 VDC

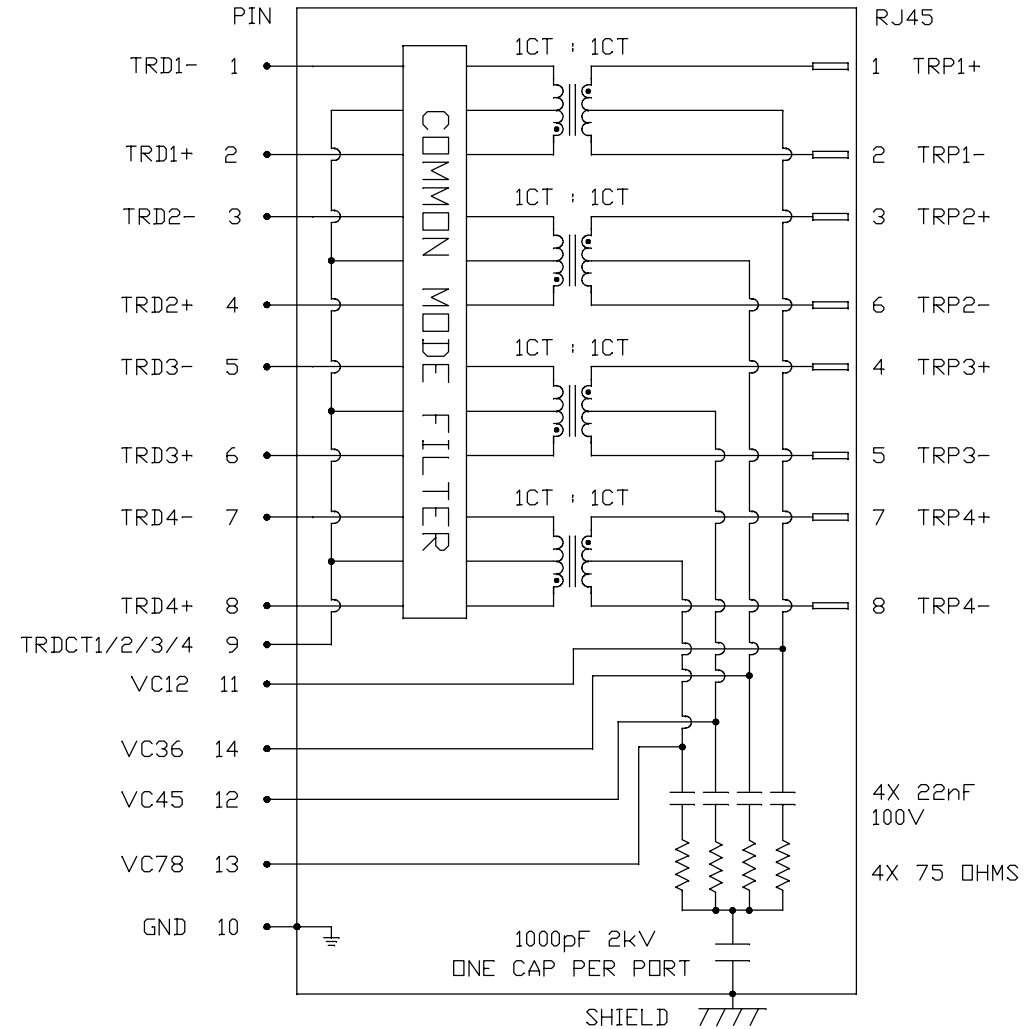
100% OF PRODUCTION TESTED TO COMPLY WITH IEEE 802.3 ISOLATION REQUIREMENTS.

NOTE: PORT-TO-PORT ISOLATION NOT INCLUDED.

BALANCED DC LINE CURRENT 720 mA MAX. @ 57 VDC CONTINUOUS  
1.2A MAX. @ 57 VDC FOR 200 MILLISECONDS

OPERATING TEMPERATURE: -40°C TO +85°C

SCHEMATIC



REV. : A PAGE : 2

ORIGINATED BY  
CHOW WANCHUNG  
DATE 2019-05-03  
DRAWN BY  
XIE YIMING  
DATE 2019-05-03

TITLE  
2X4 2.5 Gigabit MagJack®  
4PPoE(EXTENDED TEMPERATURE)  
0854-2X4R-JD-F  
PATENTED

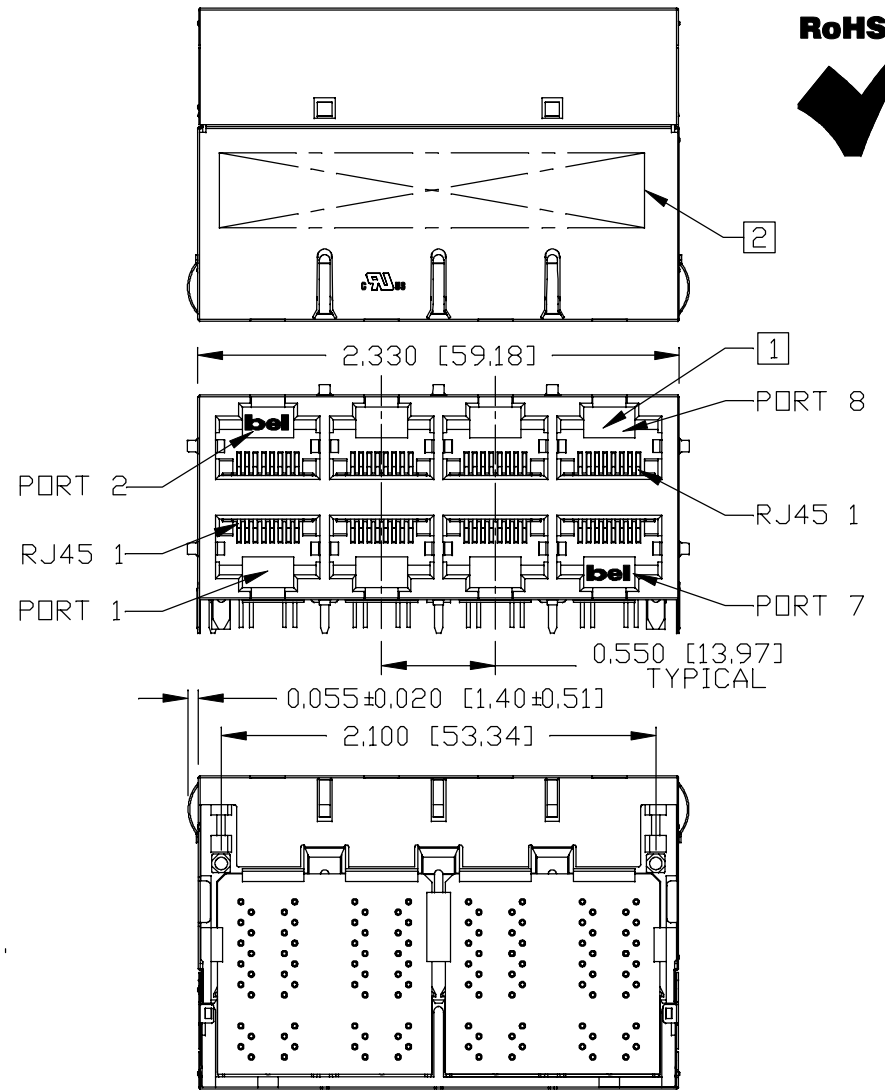
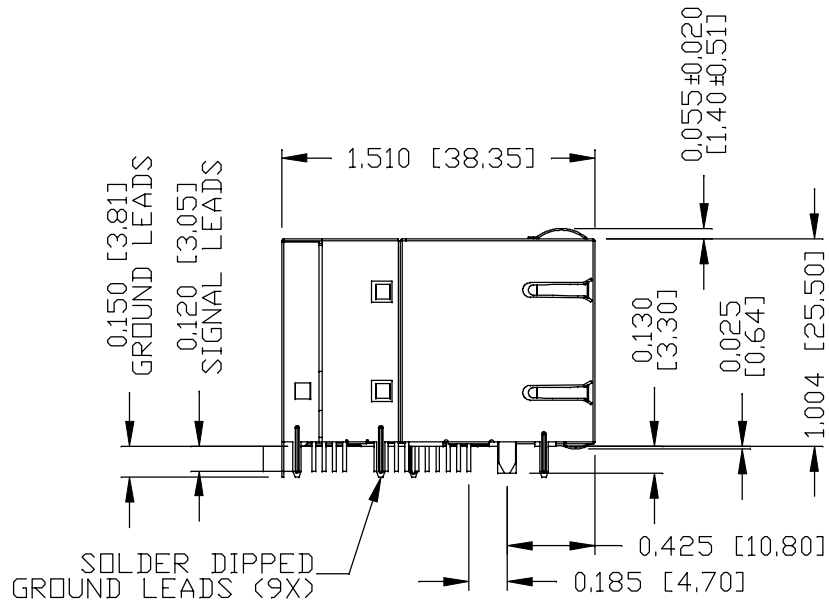
PART NO. / DRAWING NO.  
08542X4RJD-F  
FILE NAME  
08542X4RJD-F\_A.DWG

STANDARD DIM. TOL. IN INCH	[ ] METRIC DIM. AS REF.
.X	UNIT : INCH [mm]
.XX	SCALE : N/A
.XXX	SIZE : A4



THE INFORMATION CONTAINED HEREIN IS CONSIDERED "PROPRIETARY" TO BEL FUSE INC. AND SHALL NOT BE COPIED, REPRODUCED OR DISCLOSED WITHOUT THE WRITTEN APPROVAL OF BEL FUSE INC.

RoHS



NOTES:

- PLASTIC HOUSING: THERMOPLASTIC PBT, BLACK FLAMMABILITY RATING UL 94V-0
- CONTACT PLATING: 50 MICRO-INCH HARD GOLD PLATING OR EQUIVALENT.
- OUTPUT PINS: TIN-COATED COPPER WIRE, DIA 0.018 INCH. 100 MICRO-INCH MIN MATTE TIN. PINS ARE SOLDER DIPPED.
- METAL SHIELD: NICKEL PLATED ON COPPER ALLOY. (ALL GROUND LEADS ARE SOLDER DIPPED)

- JACK CAVITY CONFORMS TO FCC RULES AND REGULATIONS, PART 68 SUBPART F.
- MARK PART WITH MFG LOGO, MFG NAME, PART NUMBER, DATE CODE AND PATENTED.
- THE PRODUCT IS RoHS COMPLIANCE.
- THE PRODUCT IS PATENTED, THE PATENT NUMBER ARE U.S. PAT. 6,840,817 AND U.S. PAT. 7,123,117.
- THE PART IS RECOMMENDED FOR WAVE SOLDERING. THE SUGGESTED PEAK WAVE SOLDERING CONDITION IS 260°C MAX. AND 10 SECONDS MAX..

UL RECOGNIZED - FILE #E196366 AND E169987.

REV. : A PAGE : 3

ORIGINATED BY  
SANDY LIN  
DATE 2019-05-03

DRAWN BY  
OLIVER ZHANG  
DATE 2019-05-03

TITLE  
2X4 2.5 Gigabit MagJack®  
4PPoE(EXTENDED TEMPERATURE)  
0854-2X4R-JD-F  
PATENTED

PART NO. / DRAWING NO.  
08542X4RJD-F

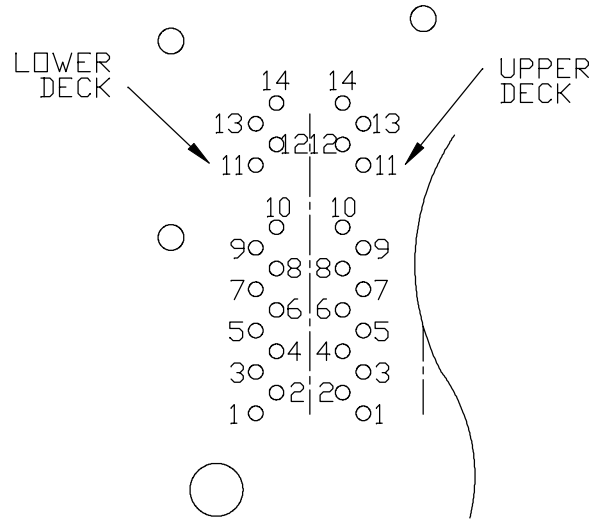
FILE NAME  
08542X4RJD-F\_A.DWG

STANDARD DIM. TOL. IN INCH		[ ] METRIC DIM. AS REF.	
.X		UNIT : INCH [mm]	
.XX		SCALE : N/A	
.XXX	±0.010		SIZE : A4



THE INFORMATION CONTAINED HEREIN IS CONSIDERED "PROPRIETARY" TO BEL FUSE INC. AND SHALL NOT BE COPIED, REPRODUCED OR DISCLOSED WITHOUT THE WRITTEN APPROVAL OF BEL FUSE INC.

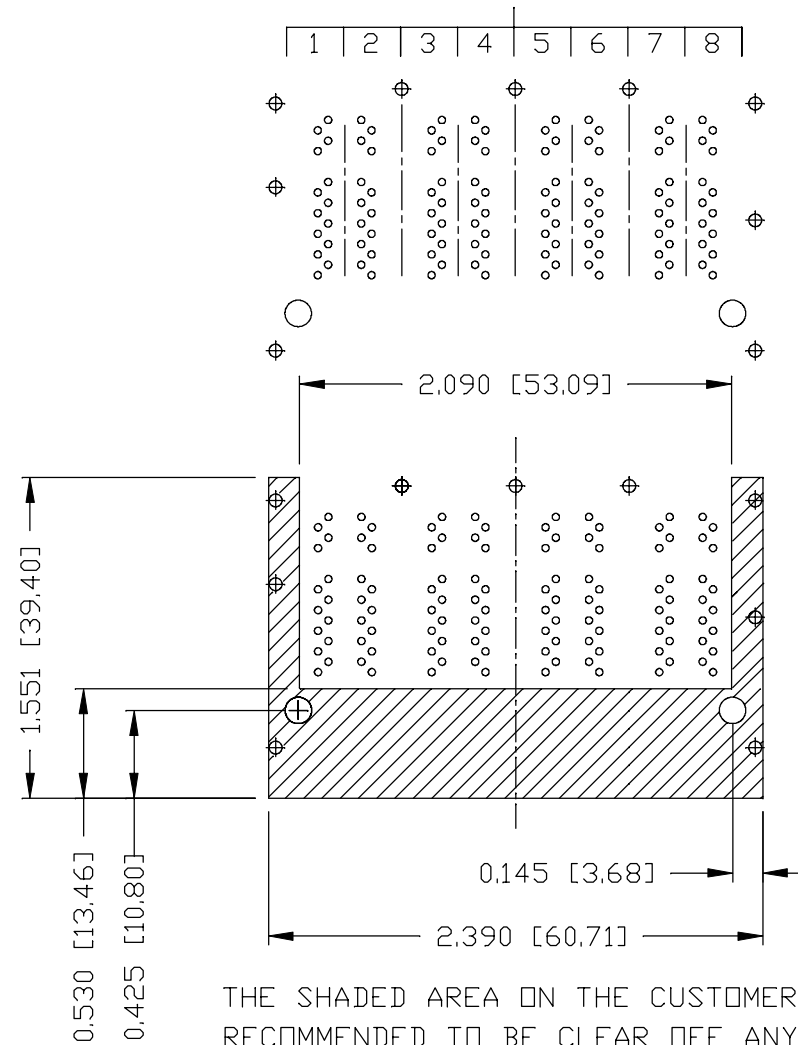
RoHS



PIN-OUT INFORMATION  
(COMPONENT SIDE VIEW)

14	VC36
13	VC78
12	VC45
11	VC12
10	GND
9	TRDCT1/2/3/4
8	TRD 4+
7	TRD 4-
6	TRD 3+
5	TRD 3-
4	TRD 2+
3	TRD 2-
2	TRD 1+
1	TRD 1-

PORT ASSIGNMENT  
(COMPONENT SIDE VIEW)



THE SHADED AREA ON THE CUSTOMER BOARD ARE RECOMMENDED TO BE CLEAR OFF ANY VIA HOLE OR COMPONENT PAD.

REV. : A PAGE : 4



ORIGINATED BY  
SANDY LIN  
DATE 2019-05-03

DRAWN BY  
OLIVER ZHANG  
DATE 2019-05-03

TITLE  
2X4 2.5 Gigabit MagJack®  
4PPoE(EXTENDED TEMPERATURE)  
0854-2X4R-JD-F  
PATENTED

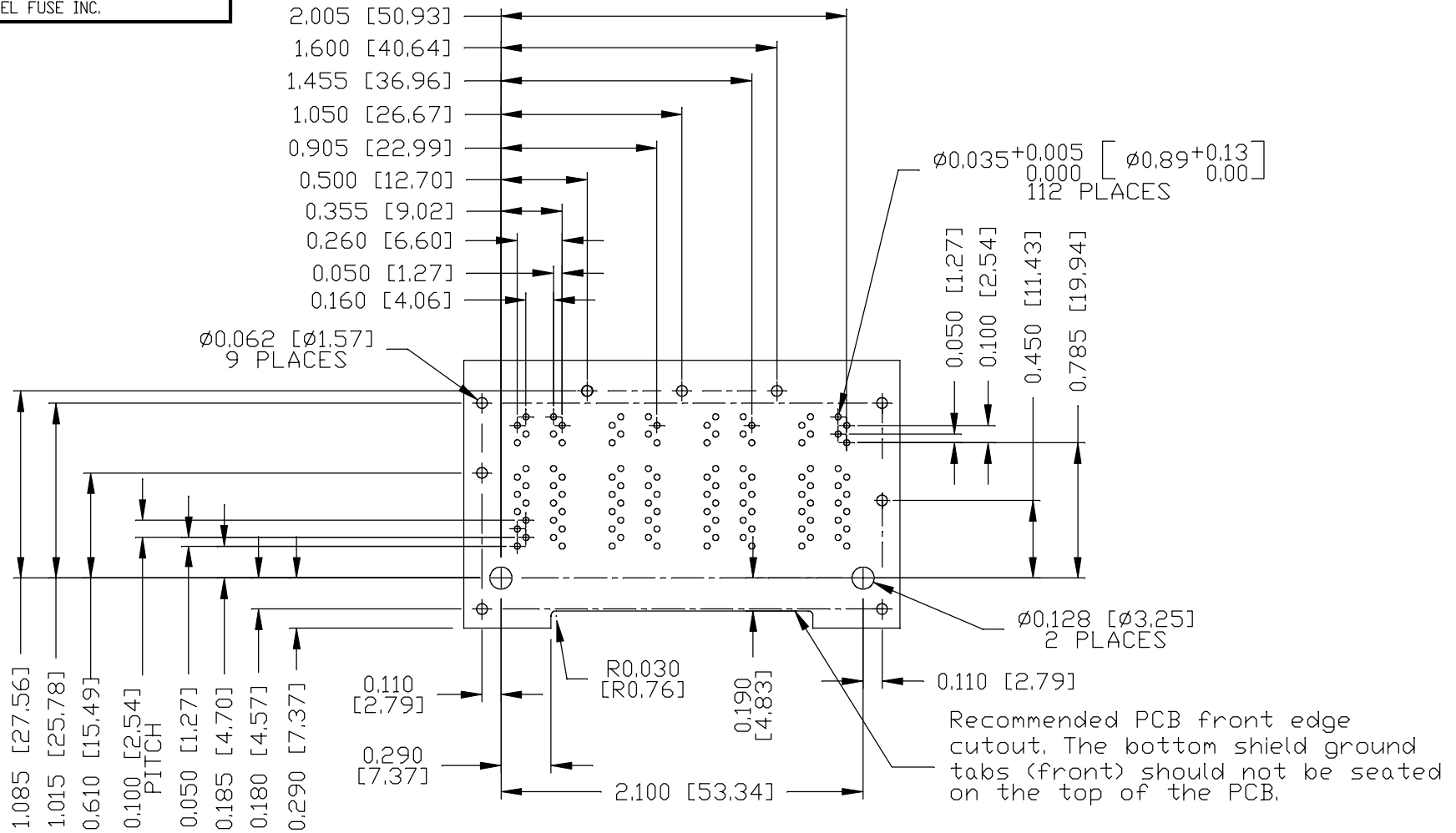
PART NO. / DRAWING NO.  
08542X4RJD-F

FILE NAME  
08542X4RJD-F\_A.DWG

STANDARD DIM. TOL. IN INCH	[ ] METRIC DIM. AS REF.
.X	UNIT : INCH [mm]
.XX	SCALE : N/A
.XXX ±0.004	SIZE : A4

THE INFORMATION CONTAINED HEREIN IS CONSIDERED "PROPRIETARY" TO BEL FUSE INC. AND SHALL NOT BE COPIED, REPRODUCED OR DISCLOSED WITHOUT THE WRITTEN APPROVAL OF BEL FUSE INC.

RoHS



SUGGESTED FOOTPRINT  
 (COMPONENT SIDE VIEW)

REV. :	A	PAGE :	5
STANDARD DIM. TOL. IN INCH		[ ] METRIC DIM. AS REF.	
.X		UNIT : INCH [mm]	
.XX		SCALE : N/A	
.XXX	±0.004		SIZE : A4



ORIGINATED BY  
 SANDY LIN  
 DATE 2019-05-03

DRAWN BY  
 OLIVER ZHANG  
 DATE 2019-05-03

TITLE  
 2X4 2.5 Gigabit MagJack®  
 4PPoE(EXTENDED TEMPERATURE)  
 0854-2X4R-JD-F  
 PATENTED

PART NO. / DRAWING NO.  
 08542X4RJD-F

FILE NAME  
 08542X4RJD-F\_A.DWG

STANDARD DIM. TOL. IN INCH

.X

.XX

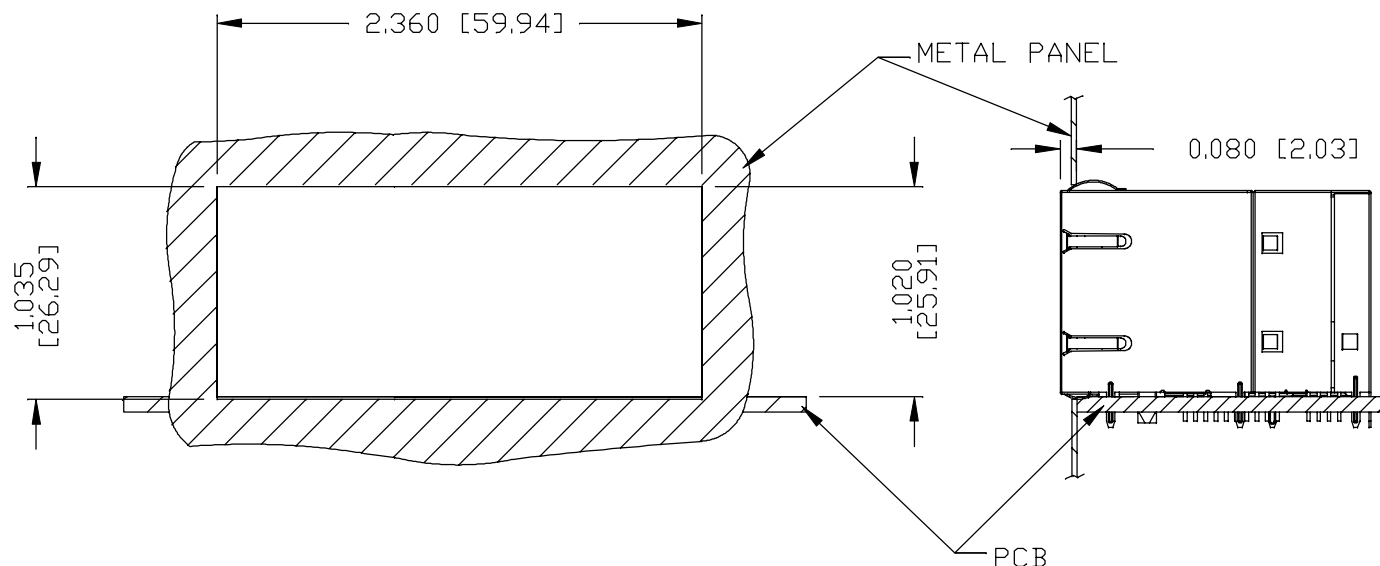
.XXX ±0.004

THE INFORMATION CONTAINED HEREIN IS CONSIDERED "PROPRIETARY" TO BEL FUSE INC. AND SHALL NOT BE COPIED, REPRODUCED OR DISCLOSED WITHOUT THE WRITTEN APPROVAL OF BEL FUSE INC.

RoHS



SUGGESTED PANEL OPENING



NOTE:


THE DISTANCE OF PANEL INSIDE SURFACE RELATIVE TO FRONT SURFACE OF PART IS ONLY A SUGGESTION. IN CASE THIS DISTANCE IS DIFFERENT, THE REQUIRED PANEL OPENING DIMENSIONS CHANGE ACCORDINGLY.

PACKING INFORMATION

PACKING TRAY : 0200-9999-G2 (TOP)  
0200-9999-G3 (BOTTOM)

PACKING QUANTITY : 20 PCS FINISHED GOODS PER TRAY.  
5 TRAYS (100 PCS FINISHED GOODS) PER CARTON BOX.

NOTE : CARDBOARDS ARE PLACED BETWEEN LAYERS OF PACKING TRAY INSIDE CARTON BOX.  
(INCLUDE THE UPPERMOST AND LOWERMOST TRAY)

REV. :	A	PAGE :	6
			

<b>ORIGINATED BY</b> SANDY LIN <b>DATE</b> 2019-05-03	<b>TITLE</b> 2X4 2.5 Gigabit MagJack® 4PPoE(EXTENDED TEMPERATURE) 0854-2X4R-JD-F PATENTED	<b>PART NO. / DRAWING NO.</b> 08542X4RJD-F  <b>FILE NAME</b> 08542X4RJD-F_A.DWG	<b>STANDARD DIM.</b> TOL. IN INCH	<input type="checkbox"/> METRIC DIM. AS REF.
			.X	UNIT : INCH [mm]
			.XX	SCALE : N/A
<b>DRAWN BY</b> OLIVER ZHANG <b>DATE</b> 2019-05-03			.XXX	±0.005