

THE INFORMATION CONTAINED HEREIN IS CONSIDERED "PROPRIETARY" TO BEL FUSE INC. AND SHALL NOT BE COPIED, REPRODUCED OR DISCLOSED WITHOUT THE WRITTEN APPROVAL OF BEL FUSE INC.

PRELIMINARY



ELECTRICAL CHARACTERISTICS @ 25°C

URNS RATIO

TP1 1CT : 1CT
 TP2 1CT : 1CT
 TP3 1CT : 1CT
 TP4 1CT : 1CT

INS. LOSS (MAX)
 1MHz TO 20MHz -0.8 dB
 50MHz -1.0 dB
 200MHz -1.2 dB
 400MHz -2.0 dB
 500MHz -3.0 dB

RET. LOSS (MIN) @ 100 OHMS

1MHz < f < 40MHz 16 dB MIN
 40MHz < f < 400MHz 16-10LOG(f/40MHz) dB
 400MHz < f < 500MHz 6-30LOG(f/400MHz) dB

CM TO CM REJ

1MHz - 500MHz -25 dB MIN
 CM TO DM REJ
 1MHz - 500MHz -25 dB MIN

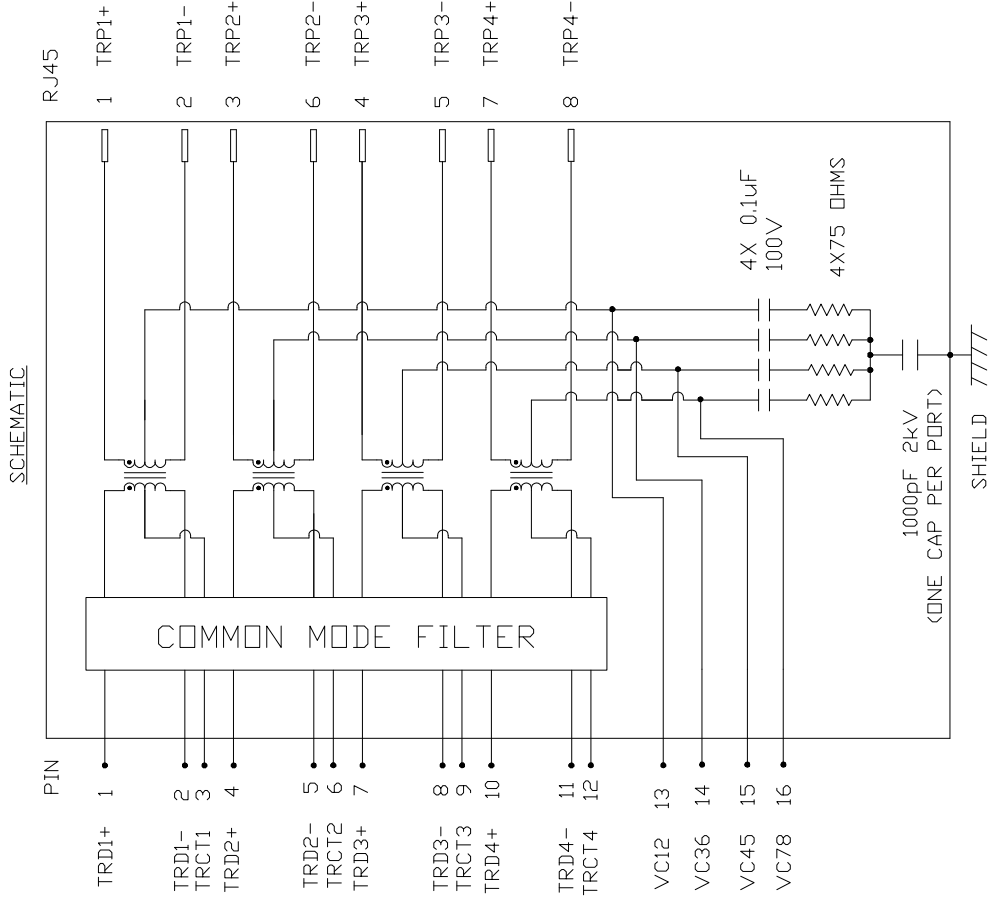
HIPOT (Isolation Voltage):

2250VDC
 100% OF PRODUCTION TESTED TO COMPLY WITH IEEE 802.3 ISOLATION REQUIREMENTS.

BALANCED DC LINE CURRENT 600mA MAX. CONTINUOUS.

1.2A MAX. FOR 200 MILLISECONDS.

OPERATING TEMPERATURE: -40°C TO +85°C.



ORIGINATED BY CHOW WANCHUNG
 DATE 2023-08-11
 DRAWN BY TERRY LIN
 DATE 2023-08-11

TITLE 2X4 10 Gigabit MagJack®
 4PoE 60W
 PRESS FIT
 PATENTED

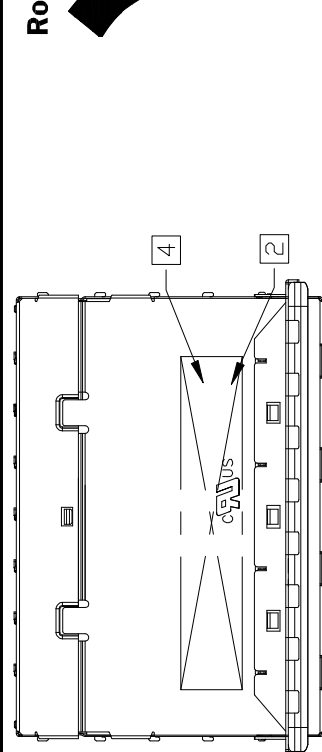
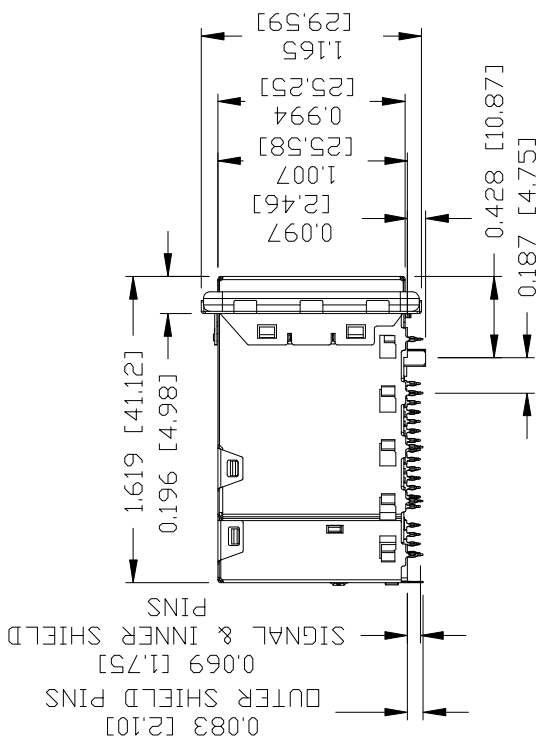
PART NO. / DRAWING NO. G37-88NV-011B
 FILE NAME G37-88NV-011B_1.DWG

STANDARD DIM. [] METRIC DIM. AS REF.	TOL. IN INCH	.X
UNIT : INCH [mm]	SCALE : N/A	.XX
SIZE : A4		.XXX



THE INFORMATION CONTAINED HEREIN IS CONSIDERED "PROPRIETARY" TO BEL FUSE INC. AND SHALL NOT BE COPIED, REPRODUCED OR DISCLOSED WITHOUT THE WRITTEN APPROVAL OF BEL FUSE INC.

PRELIMINARY



NOTES:

- 1. JACK CAVITY CONFORMS TO FCC RULES AND REGULATIONS, PART 68 SUBPART F.
- 2. MARK PART WITH MFG LOGO, NAME, PART NUMBER AND DATE CODE.
- 3. THE PRODUCT IS RoHS COMPLIANT.
- 4. THE PRODUCT IS PATENTED, "PATENTED" MARKING IS ON THE TOP SURFACE. THE PATENT NUMBER ARE U.S. PAT. 7,429,195 & U.S. PAT. 6,840,817 & U.S. PAT. 7,123,117 AND U.S. PAT. 7,924,130.
- 5. THE FINISHED GOODS IS WITHOUT SMD LED. THE SMD LED IS PROVIDED BY CUSTOMER HERSELF, AND THE SMD LED IS MOUNTED ON CUSTOMER PCB.
- 6. RECOMMENDED MINIMUM CUSTOMER PCB THICKNESS IS 0.080 INCH.
- 7. DATUM C AND BASIC DIMENSION ESTABLISHED BY CUSTOMER.

UL RECOGNIZED - FILE #E169987.

ORIGINATED BY TONY YUAN DATE 2023-08-11 DRAWN BY JARRY YE DATE 2023-08-11		TITLE 2X4 10 Gigabit MagJack® 4PoE 60W PRESS FIT PATENTED		PART NO. / DRAWING NO. G37-88NV-011B FILE NAME G37-88NV-011B_1.DWG		STANDARD DIM. TOL. IN INCH AS REF. .X .XX .XXX ±0.010		[] METRIC DIM. UNIT : INCH [mm] SCALE : N/A SIZE : A4	
REV. : 1				PAGE : 3		 a bel group			

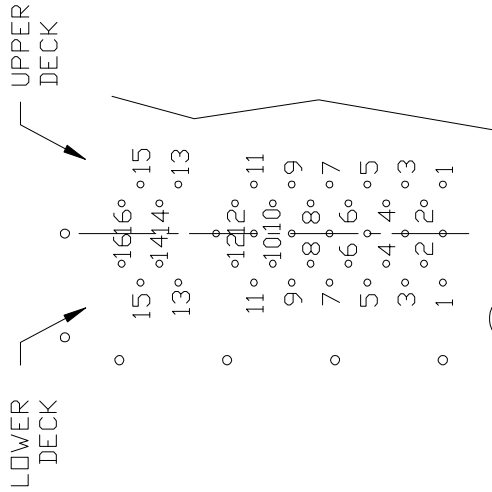
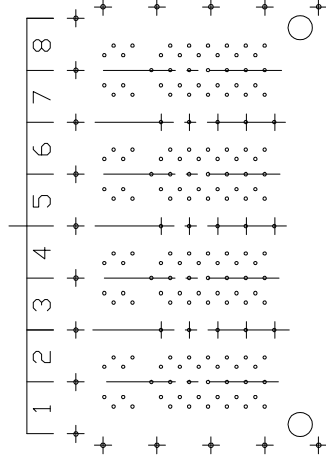
This document is electronically generated. This is a controlled copy if used internally

THE INFORMATION CONTAINED HEREIN IS CONSIDERED "PROPRIETARY" TO BEL FUSE INC. AND SHALL NOT BE COPIED, REPRODUCED OR DISCLOSED WITHOUT THE WRITTEN APPROVAL OF BEL FUSE INC.

PRELIMINARY

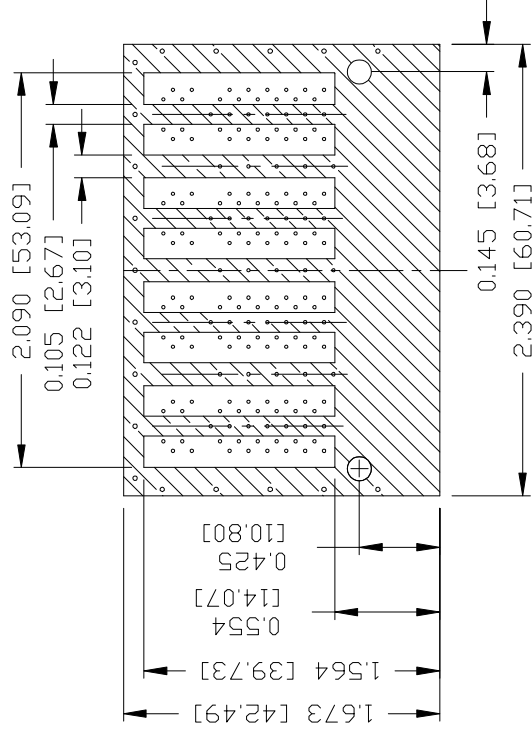


PORT ASSIGNMENT
(COMPONENT SIDE VIEW)



PIN-OUT INFORMATION
(COMPONENT SIDE VIEW)

10	TRD4+
9	TRCT3
8	TRD3-
7	TRD3+
6	TRCT2
5	TRD2-
4	TRD2+
3	TRCT1
2	TRD1-
1	TRD1+
16	VC78
15	VC45
14	VC36
13	VC12
12	TRCT4
11	TRD4-



THE SHADED AREA ON THE CUSTOMER BOARD ARE RECOMMENDED TO BE CLEAR OFF ANY VIA HOLE OR COMPONENT PAD.

ORIGINATED BY
TONY YUAN
DATE 2023-08-11
DRAWN BY
JARRY YE
DATE 2023-08-11

TITLE
2X4 10 Gigabit MagJack®
4PoE 60W
PRESS FIT
PATENTED

PART NO. / DRAWING NO.
G37-88NV-011B
FILE NAME
G37-88NV-011B_1.DWG

STANDARD DIM.
TOL. IN INCH
[] METRIC DIM.
AS REF.
.X
.XX
.XXX
±0.004
UNIT : INCH [mm]
SCALE : N/A
SIZE : A4

REV. : 1 PAGE : 4



MAGNETIC SOLUTIONS
a bel group

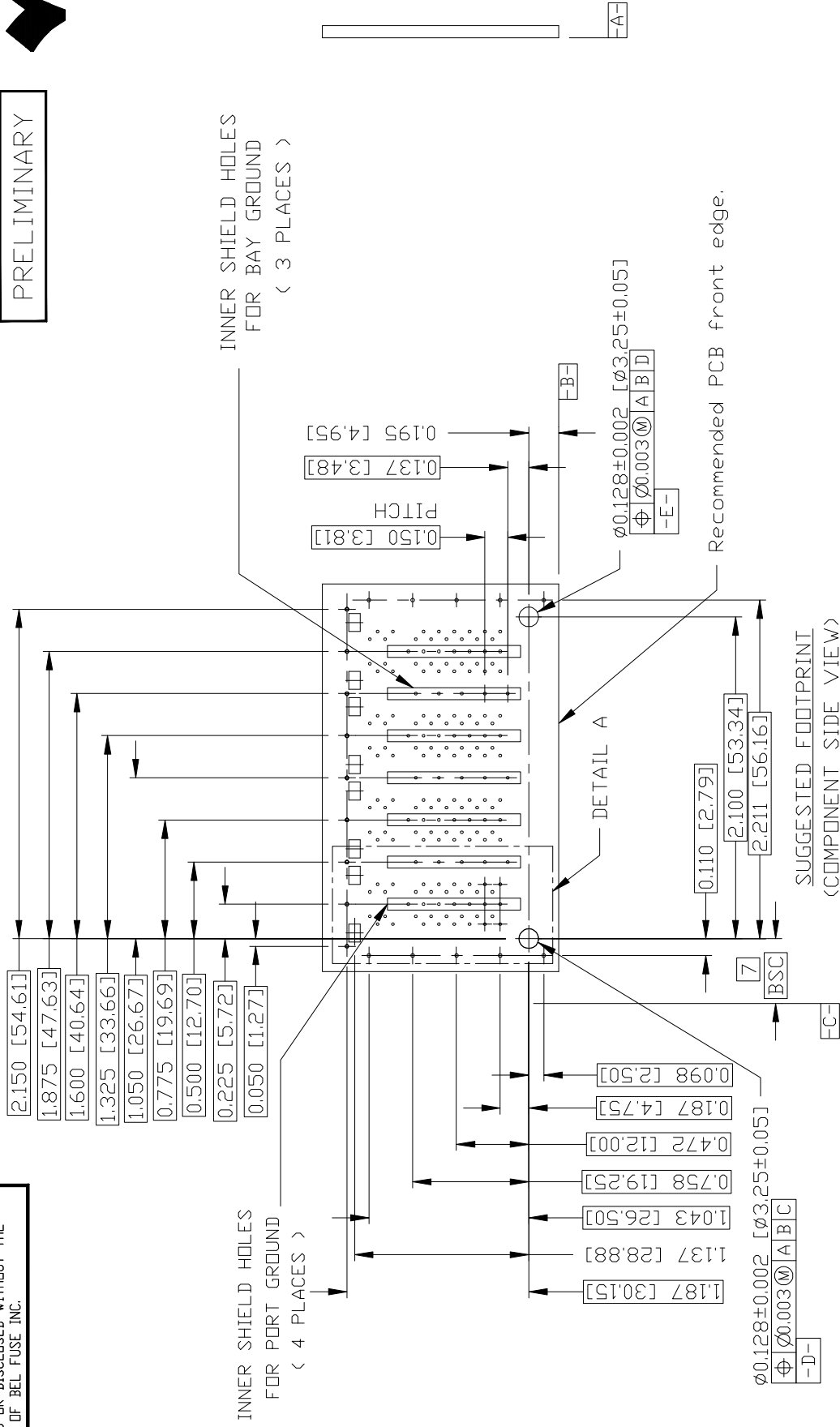
This document is electronically generated. This is a controlled copy if used internally

DC002(2)120214


THE INFORMATION CONTAINED HEREIN IS CONSIDERED "PROPRIETARY" TO BEL FUSE INC. AND SHALL NOT BE COPIED, REPRODUCED OR DISCLOSED WITHOUT THE WRITTEN APPROVAL OF BEL FUSE INC.

RoHS

PRELIMINARY



REV. : 1 PAGE : 5



MAGNETIC SOLUTIONS
a bel group

PART NO. / DRAWING NO. G37-88NV-011B		STANDARD DIM. TOL. IN INCH	[] METRIC DIM. AS REF.
FILE NAME G37-88NV-011B_1.DWG		.X	UNIT : INCH [mm]
		.XX	SCALE : N/A
		.XXX	±0.004
			SIZE : A4

ORIGINATED BY TONY YUAN	TITLE 2X4 10 Gigabit MagJack®
DATE 2023-08-11	4PPoE 60W
DRAWN BY JARRY YE	PRESS FIT
DATE 2023-08-11	PATENTED

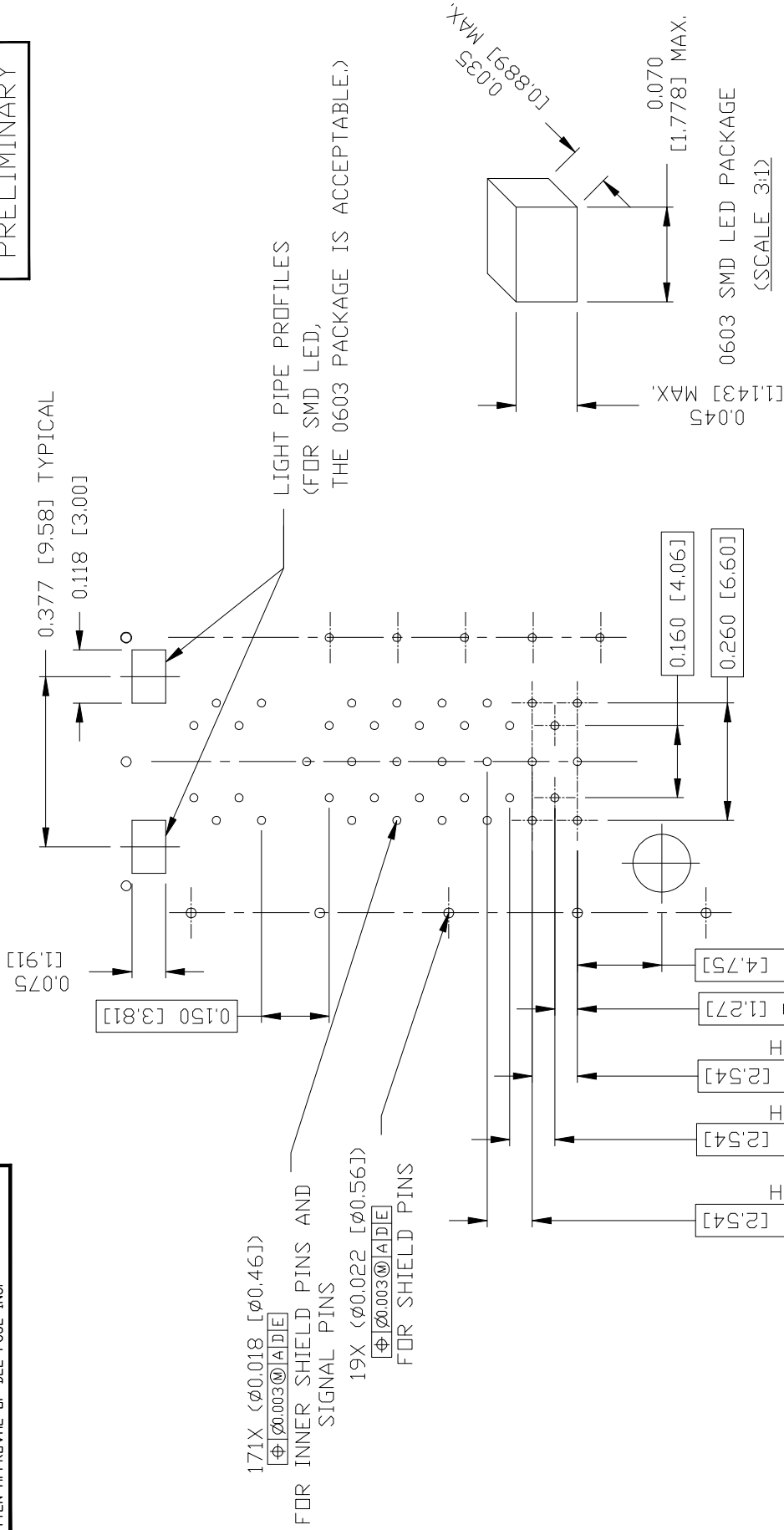
This document is electronically generated. This is a controlled copy if used internally

DC002(2)120214

THE INFORMATION CONTAINED HEREIN IS CONSIDERED "PROPRIETARY" TO BEL FUSE INC. AND SHALL NOT BE COPIED, REPRODUCED OR DISCLOSED WITHOUT THE WRITTEN APPROVAL OF BEL FUSE INC.



PRELIMINARY



171X ($\phi 0.018$ [0.46])
 $\phi 0.003$ [0.08] [A] [D] [E]
 FOR INNER SHIELD PINS AND
 SIGNAL PINS
 19X ($\phi 0.022$ [0.56])
 $\phi 0.003$ [0.08] [A] [D] [E]
 FOR SHIELD PINS

LIGHT PIPE PROFILES
 (FOR SMD LED,
 THE 0603 PACKAGE IS ACCEPTABLE.)

0603 SMD LED PACKAGE
 (SCALE 3:1)

DETAIL A

REV. : 1 PAGE : 6

a bel group

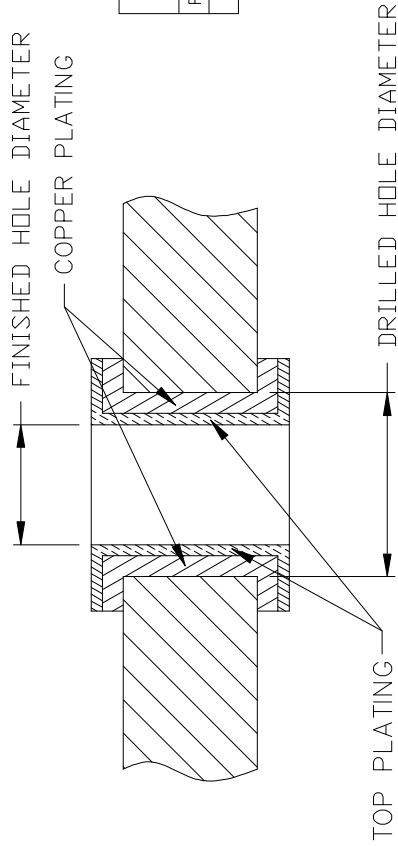
ORIGINATED BY TONY YUAN DATE 2023-08-11	TITLE 2X4 10 Gigabit MagJack® 4PPoE 60W PRESS FIT PATENTED	PART NO. / DRAWING NO. G37-88NV-011B	STANDARD DIM. TOL. IN INCH	[] METRIC DIM. AS REF.
		FILE NAME G37-88NV-011B_1.DWG	.X ±0.004	UNIT : INCH [mm] SCALE : N/A SIZE : A4

This document is electronically generated. This is a controlled copy if used internally

THE INFORMATION CONTAINED HEREIN IS CONSIDERED "PROPRIETARY" TO BEL FUSE INC. AND SHALL NOT BE COPIED, REPRODUCED OR DISCLOSED WITHOUT THE WRITTEN APPROVAL OF BEL FUSE INC.

RoHS

PRELIMINARY



PLATED-THROUGH-HOLE	DRILLED HOLE DIAMETER	FINISHED HOLE DIAMETER
FDR SIGNAL PINS AND INNER SHIELD PINS	0.022 [0.57]	(0.018 [0.48]) REF
FOR SHIELD PINS	0.026 [0.66]	(0.022 [0.56]) REF

PLATED-THROUGH-HOLE CROSS-SECTION

PLATING	THICKNESS IN MICRO-INCHES [MICRONS]
COPPER	1000-2000 [25-50]
TOP PLATING - USE ONE OPTION LISTED BELOW:	
HOT AIR SOLDER LEVELING (HASL) TIN-LEAD (Sn-Pb)	160-400 [4-10]
IMMERSION TIN (Sn)	20-40 [0.5-1.0]
ORGANIC SOLDERABILITY PRESERVATIVE (OSP)	10-20 [0.2-0.5]
IMMERSION GOLD (Au) OVER NICKEL (Ni) (ENIG)	5-20 [0.1-0.5] (Au) OVER 50-100 [1.2-2.5] (Ni)
TIN-LEAD (Sn-Pb)	400-1000 [10-25]
IMMERSION SILVER (Ag)	5-8 [0.10-0.15]

RECOMMENDED PLATED-THROUGH-HOLE CONSTRUCTION DETAILS FOR PRESS-FIT PINS

ORIGINATED BY
TONY YUAN
DATE 2023-08-11
DRAWN BY
JARRY YE
DATE 2023-08-11

TITLE
2X4 10 Gigabit MagJack®
4PoE 60W
PRESS FIT
PATENTED

PART NO. / DRAWING NO.
G37-88NV-011B
FILE NAME
G37-88NV-011B_1.DWG

STANDARD DIM. [] METRIC DIM. AS REF.
TOL. IN INCH
.X
.XX
.XXX
±0.005
UNIT : INCH [mm]
SCALE : N/A
SIZE : A4

REV. : 1 PAGE : 7

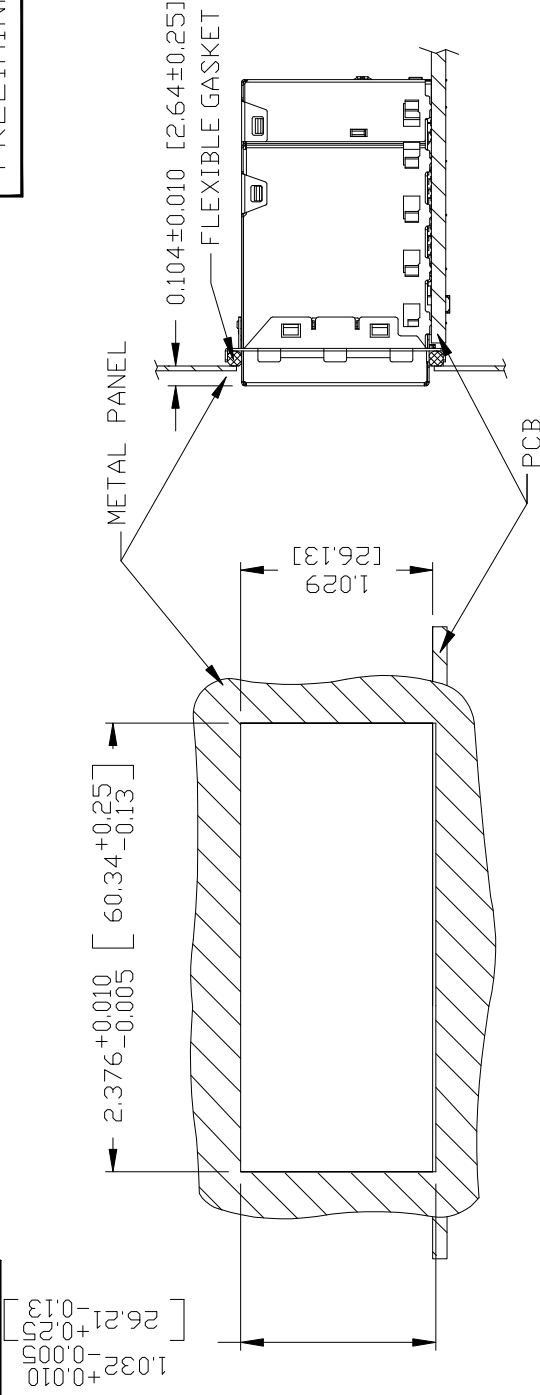


THE INFORMATION CONTAINED HEREIN IS CONSIDERED "PROPRIETARY" TO BEL FUSE INC. AND SHALL NOT BE COPIED, REPRODUCED OR DISCLOSED WITHOUT THE WRITTEN APPROVAL OF BEL FUSE INC.



PRELIMINARY

SUGGESTED PANEL OPENING



NOTE:

1. THE DISTANCE OF PANEL INSIDE SURFACE RELATIVE TO FRONT SURFACE OF PART IS ONLY A SUGGESTION. IN CASE THIS DISTANCE IS DIFFERENT, THE REQUIRED PANEL OPENING DIMENSIONS CHANGE ACCORDINGLY.
2. RECOMMENDED COMPRESSION OF THE FLEXIBLE GASKET MATERIAL OF 25%.
3. RECOMMENDED FLEXIBLE GASKET THICKNESS BEFORE COMPRESSION IS 0.103 INCH.
4. THE FLEXIBLE GASKET CAN BE ORDERED SEPARATELY VIA PART NUMBER 0080M1700-04.

PACKING INFORMATION

PACKING TRAY : 0200M9999-N1 (TOP)
0200M9999-T5 (BOTTOM)

PACKING QUANTITY : 12 PCS FINISHED GOODS PER TRAY.

7 TRAYS (84 PCS FINISHED GOODS) PER CARTON BOX.

REMARK : CARDBOARDS ARE PLACED BETWEEN LAYERS OF PACKING TRAY INSIDE CARTON BOX.

(INCLUDE THE UPPERMOST AND LOWERMOST TRAY)

REV. : 1 PAGE : 8

ORIGINATED BY
TONY YUAN
DATE 2023-08-11
DRAWN BY
JARRY YE
DATE 2023-08-11

TITLE
2X4 10 Gigabit MagJack®
4PoE 60W
PRESS FIT
PATENTED

PART NO. / DRAWING NO.
G37-88NV-011B
FILE NAME
G37-88NV-011B_1.DWG

STANDARD DIM. AS REF.	[] METRIC DIM.
TOL. IN INCH	AS REF.
.X	UNIT : INCH [mm]
.XX	SCALE : N/A
.XXX	SIZE : A4
±0.005	



This document is electronically generated. This is a controlled copy if used internally