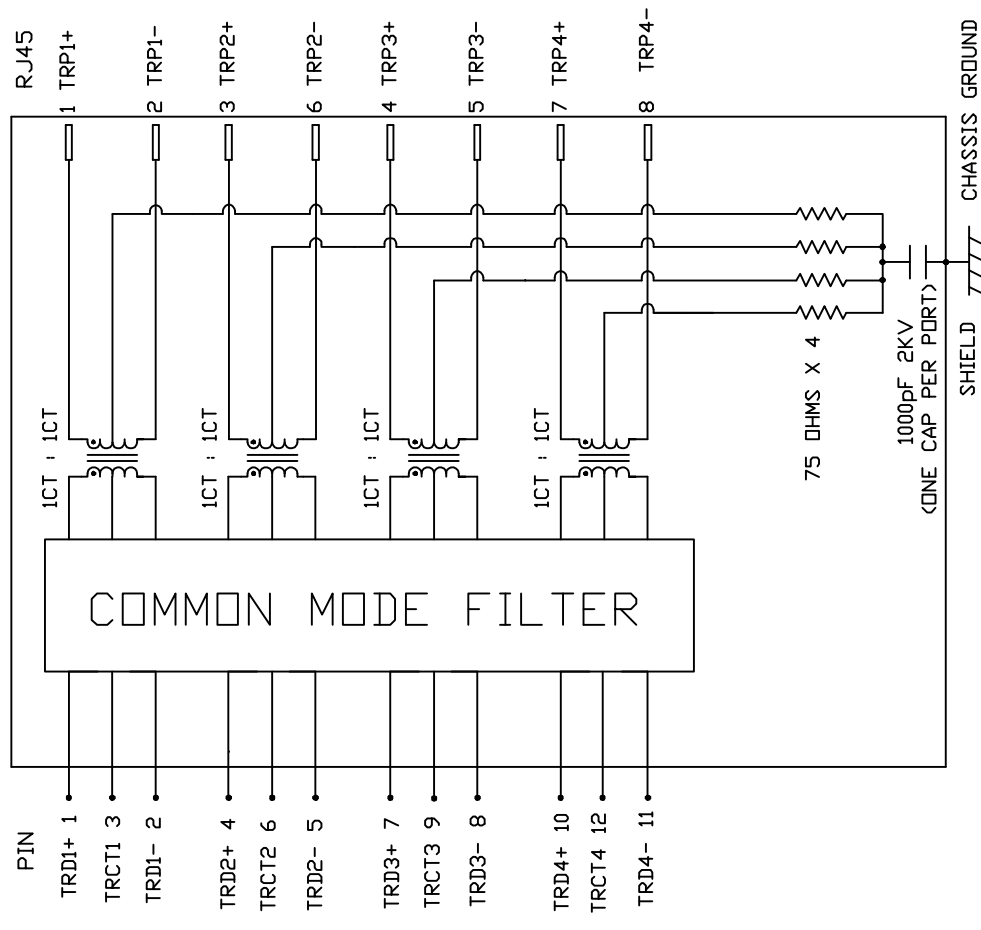


THE INFORMATION CONTAINED HEREIN IS CONSIDERED "PROPRIETARY" TO BEL FUSE INC. AND SHALL NOT BE COPIED, REPRODUCED OR DISCLOSED WITHOUT THE WRITTEN APPROVAL OF BEL FUSE INC.



PRELIMINARY

SCHEMATIC



ELECTRICAL CHARACTERISTICS @ 25°C

- TURN RATIO
 - TP1 1CT : 1CT
 - TP2 1CT : 1CT
 - TP3 1CT : 1CT
 - TP4 1CT : 1CT
- INS. LOSS (MAX)
 - 1MHZ TO 20MHZ -0.8 dB
 - 50MHZ -1.0 dB
 - 200MHZ -1.2 dB
 - 400MHZ -2.0 dB
 - 500MHZ -3.0 dB
- RET. LOSS (MIN) @ 100 OHMS
 - 1MHZ < f < 40MHZ 16 dB MIN
 - 40MHZ < f < 400MHZ 16-10LOG(f/40MHZ) dB
 - 400MHZ < f < 500MHZ 6-30LOG(f/400MHZ) dB
- CM TO CM REJ
 - 1MHZ - 500MHZ -25 dB MIN
- CM TO DM REJ
 - 1MHZ - 500MHZ -30 dB MIN
- HIPOT (Isolation Voltage): 2250VDC
- 100% OF PRODUCTION TESTED TO COMPLY WITH IEEE 802.3 ISOLATION REQUIREMENTS.
- OPERATING TEMPERATURE: -40°C TO +85°C.

ORIGINATED BY CHOW WANCHUNG	TITLE 2X4 10 Gigabit MagJack®
DATE 2021-05-24	PATENTED
DRAWN BY TANG YUAN	
DATE 2021-05-24	

PART NO. / DRAWING NO. G14-88NV-010B	STANDARD DIM. TOL. IN INCH .X .XX .XXX
FILE NAME G14-88NV-010B_2.DWG	[] METRIC DIM. AS REF. UNIT : INCH [mm] SCALE : N/A SIZE : A4

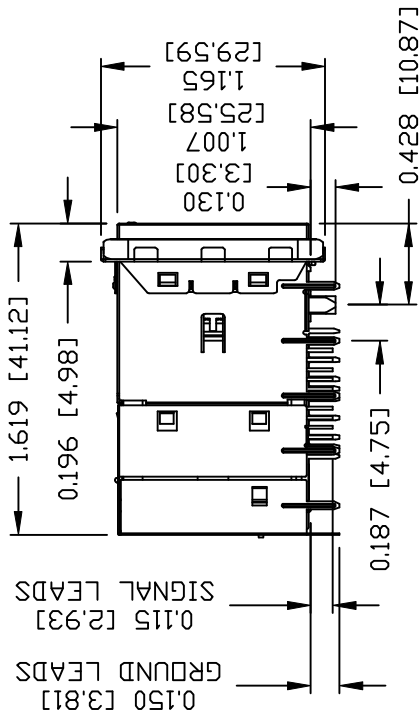
REV. : 2 PAGE : 2

a bel group

3C002(2)20214 This document is electronically generated. This is a controlled copy if used internally

THE INFORMATION CONTAINED HEREIN IS CONSIDERED "PROPRIETARY" TO BEL FUSE INC. AND SHALL NOT BE COPIED, REPRODUCED OR DISCLOSED WITHOUT THE WRITTEN APPROVAL OF BEL FUSE INC.

PRELIMINARY



NOTES:

PLASTIC HOUSING: THERMOPLASTIC PBT, FLAMMABILITY RATING UL 94V-0
 CONTACT PLATING: 50 MICRO-INCH HARD GOLD PLATING OR EQUIVALENT
 OUTPUT PINS: TIN-COATED COPPER WIRE, DIA 0.018 INCH.
 100 MICRO-INCH MIN MATTE TIN. PINS ARE SOLDER DIPPED.

METAL SHIELD: NICKEL PLATED ON COPPER ALLOY.

(ALL GROUND LEADS ARE SOLDER DIPPED)

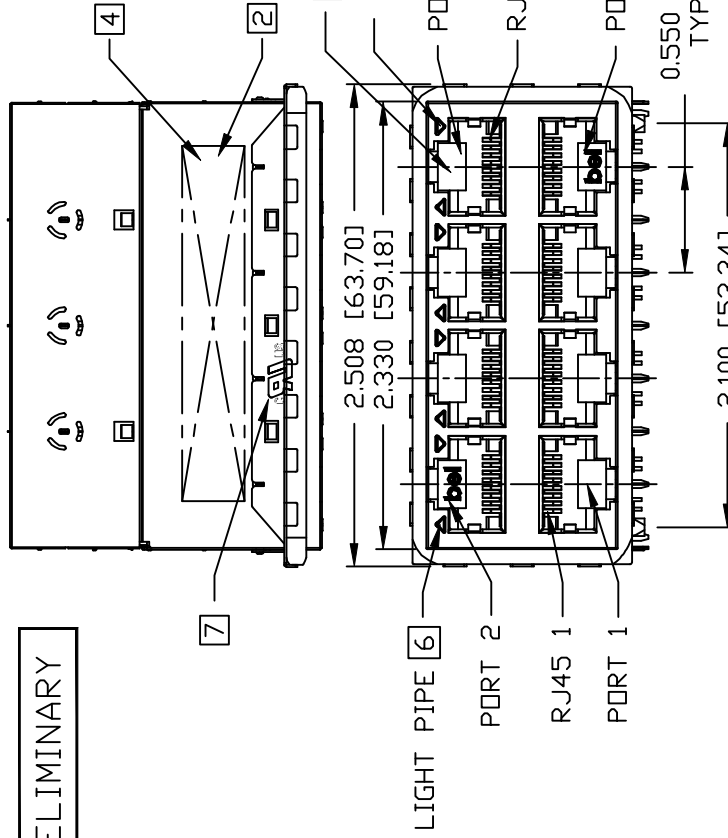
1. JACK CAVITY CONFORMS TO FCC RULES AND REGULATIONS,

PART 68 SUBPART F.

2. MARK PART WITH MFG LOGO, NAME, PART NUMBER AND DATE CODE.

3. THE PRODUCT IS RoHS COMPLIANT.

cRajus UL RECOGNIZED - FILE #E169987.



4. THE PRODUCT IS PATENTED. "PATENTED" MARKING IS ON THE TOP SURFACE. THE PATENT NUMBER ARE U.S. PAT. 7,429,195 & U.S. PAT. 6,840,817 & U.S. PAT. 7,924,130 AND U.S. PAT. 7,123,117.

5. THE AXIAL RETENTION FORCE OF RJ PORT IS 15LBS MIN.
 6. THE FINISHED GOODS IS WITHOUT SMD LED. THE SMD LED IS PROVIDED BY CUSTOMER HERSELF. AND THE SMD LED IS MOUNTED ON CUSTOMER PCB.

7. THE UL LOGO IS ON THE TOP SURFACE OF METAL SHIELD, AND IT IS COVERED BY THE EMI FLANGE.

ORIGINATED BY
SANDY LIN

DATE 2021-05-24

DRAWN BY
RUAN WENJUN

DATE 2021-05-24

TITLE

2X4 10 Gigabit MagJack®

PATENTED

PART NO. / DRAWING NO.

G14-88NV-010B

FILE NAME

G14-88NV-010B_2.DWG

STANDARD DIM.

TOL. IN INCH

.X

.XX

.XXX

[] METRIC DIM.

AS REF.

UNIT : INCH [mm]

SCALE : N/A

SIZE : A4

REV. : 2

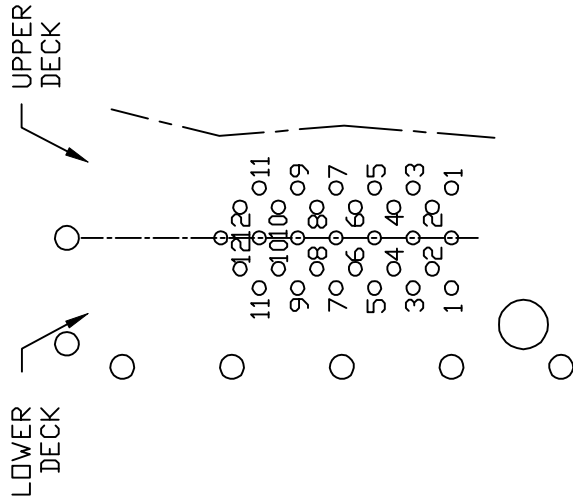
PAGE : 3



MAGNETIC SOLUTIONS

a bel group

THE INFORMATION CONTAINED HEREIN IS CONSIDERED "PROPRIETARY" TO BEL FUSE INC. AND SHALL NOT BE COPIED, REPRODUCED OR DISCLOSED WITHOUT THE WRITTEN APPROVAL OF BEL FUSE INC.

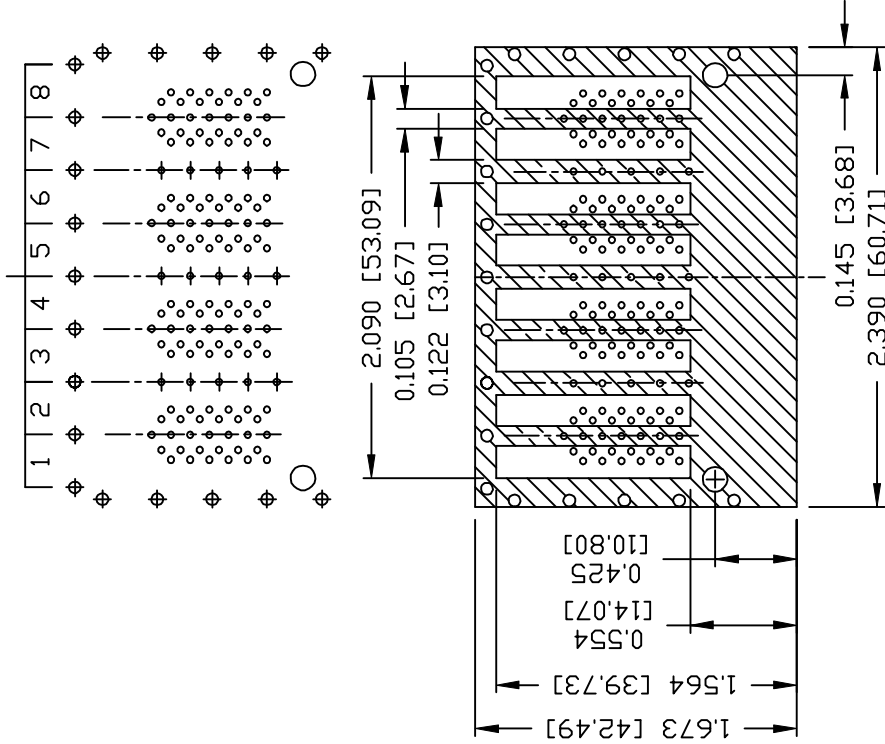


PIN-OUT INFORMATION
(COMPONENT SIDE VIEW)

10	TRD4+
9	TRCT3
8	TRD3-
7	TRD3+
6	TRCT2
5	TRD2-
4	TRD2+
3	TRCT1
2	TRD1-
1	TRD1+
	12 TRCT4
	11 TRD4-

PRELIMINARY

PORT ASSIGNMENT
(COMPONENT SIDE VIEW)



THE SHADED AREA ON THE CUSTOMER BOARD ARE RECOMMENDED TO BE CLEAR OFF ANY VIA HOLE OR

REV. : 2 PAGE : 4

PART NO. / DRAWING NO.
G14-88NV-010B
FILE NAME
G14-88NV-010B_2.DWG

TITLE
2X4 10 Gigabit MagJack®
PATENTED

ORIGINATED BY
SANDY LIN
DATE 2021-05-24
DRAWN BY
RUAN WENJUN
DATE 2021-05-24

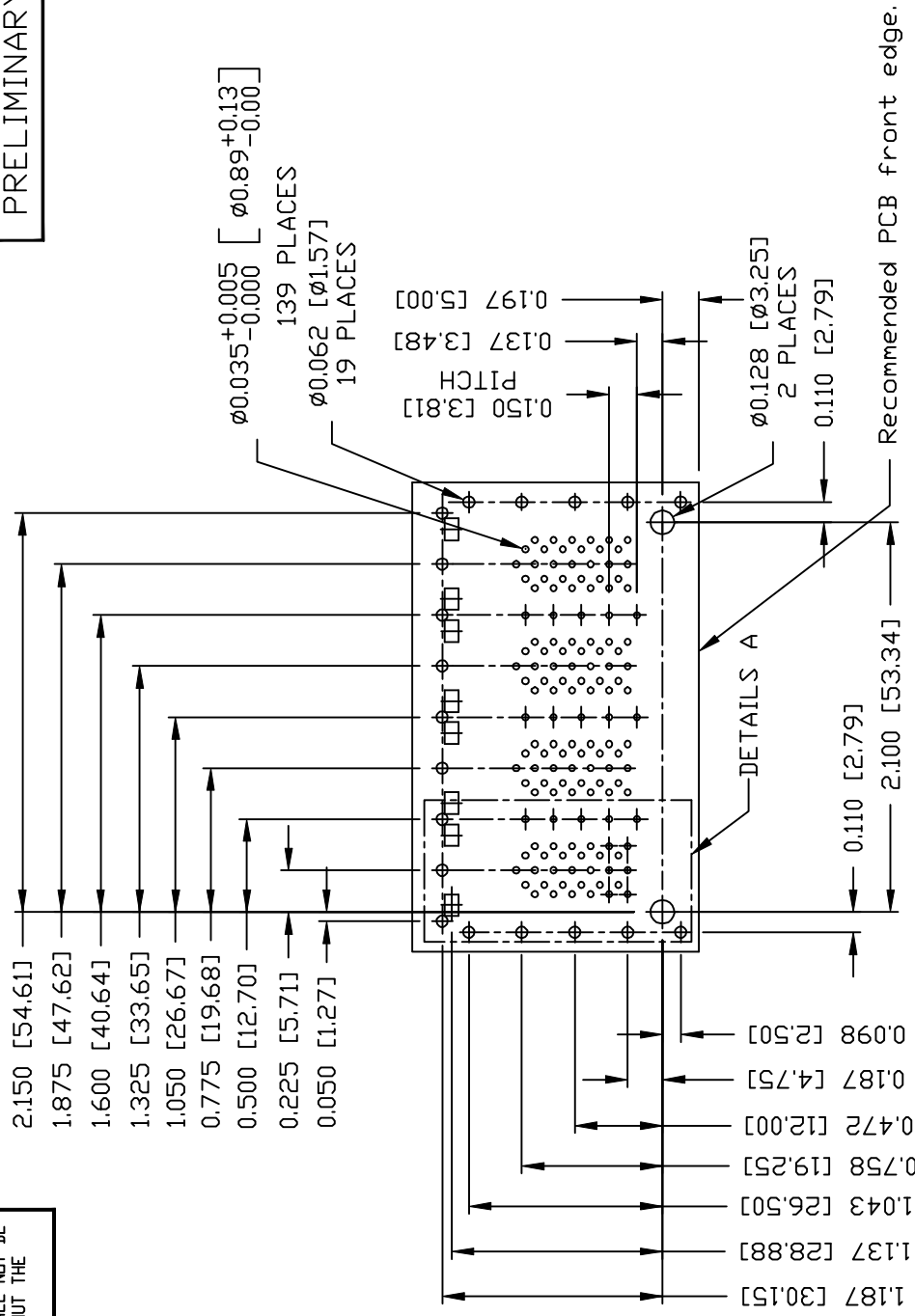
STANDARD DIM.
TOL. IN INCH
AS REF.
UNIT : INCH [mm]
SCALE : N/A
SIZE : A4
±0.004



THE INFORMATION CONTAINED HEREIN IS CONSIDERED "PROPRIETARY" TO BEL FUSE INC. AND SHALL NOT BE COPIED, REPRODUCED OR DISCLOSED WITHOUT THE WRITTEN APPROVAL OF BEL FUSE INC.



PRELIMINARY



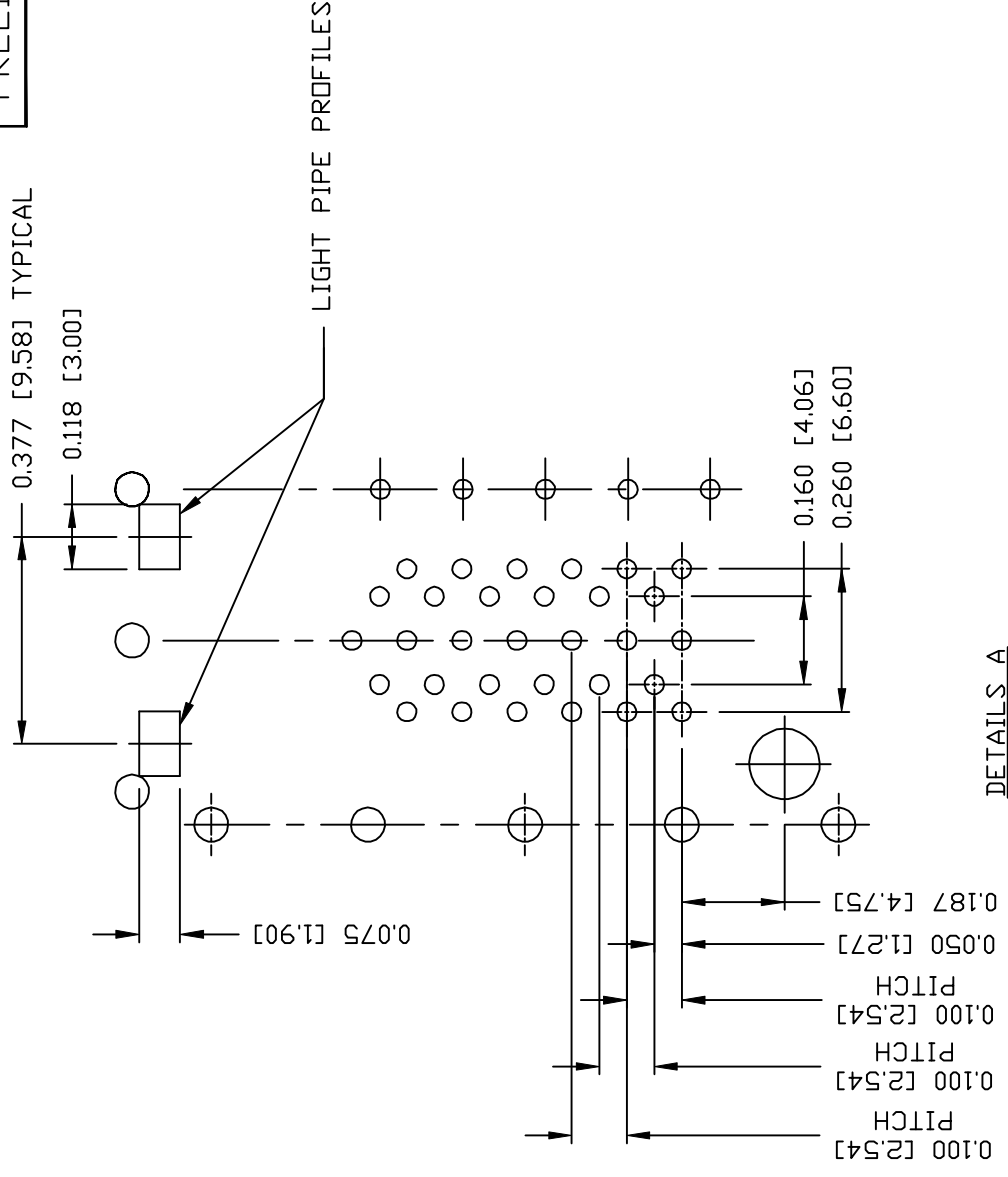
SUGGESTED FOOTPRINT
(COMPONENT SIDE VIEW)

ORIGINATED BY SANDY LIN	TITLE 2X4 10 Gigabit MagJack®	PART NO. / DRAWING NO. G14-88NV-010B	STANDARD DIM. TOL. IN INCH
DATE 2021-05-24	PATENTED	FILE NAME G14-88NV-010B_2.DWG	[] METRIC DIM. AS REF.
DRAWN BY RUAN WENJUN		UNIT : INCH [mm]	SCALE : N/A
DATE 2021-05-24		±0.004	SIZE : A4

This document is electronically generated. This is a controlled copy if used internally

THE INFORMATION CONTAINED HEREIN IS CONSIDERED "PROPRIETARY" TO BEL FUSE INC. AND SHALL NOT BE COPIED, REPRODUCED OR DISCLOSED WITHOUT THE WRITTEN APPROVAL OF BEL FUSE INC.

PRELIMINARY



DETAILS_A

ORIGINATED BY SANDY LIN DATE 2021-05-24	TITLE 2X4 10 Gigabit MagJack® PATENTED	PART NO. / DRAWING NO. G14-88NV-010B	STANDARD DIM. TOL. IN INCH .X .XX .XXX	[] METRIC DIM. AS REF.	REV. : 2	PAGE : 6
DRAWN BY RUAN WENJUN DATE 2021-05-24		FILE NAME G14-88NV-010B_2.DWG	UNIT : INCH [mm] SCALE : N/A ±0.004	SIZE : A4		



This document is electronically generated. This is a controlled copy if used internally

