

THE INFORMATION CONTAINED HEREIN IS CONSIDERED "PROPRIETARY" TO BEL FUSE INC. AND SHALL NOT BE COPIED, REPRODUCED OR DISCLOSED WITHOUT THE WRITTEN APPROVAL OF BEL FUSE INC.

RoHS



ELECTRICAL CHARACTERISTICS @ 25°C

URNS RATIO

TP1	1CT : 1CT
TP2	1CT : 1CT
TP3	1CT : 1CT
TP4	1CT : 1CT

OCL @ 100kHz/100mVRMS (25°C) 160µH MIN.

INS. LOSS (MAX)	
1MHz TO 20MHz	-0.8 dB
50MHz	-1.0 dB
200MHz	-1.2 dB
400MHz	-2.0 dB
500MHz	-3.0 dB

RET. LOSS (MIN) @ 100 OHMS

1MHz	-18 dB
2MHz	-20 dB
10MHz	-20 dB
100MHz	-20 dB
200MHz	-16 dB
300MHz	-13 dB
400MHz	-10 dB
500MHz	-8 dB

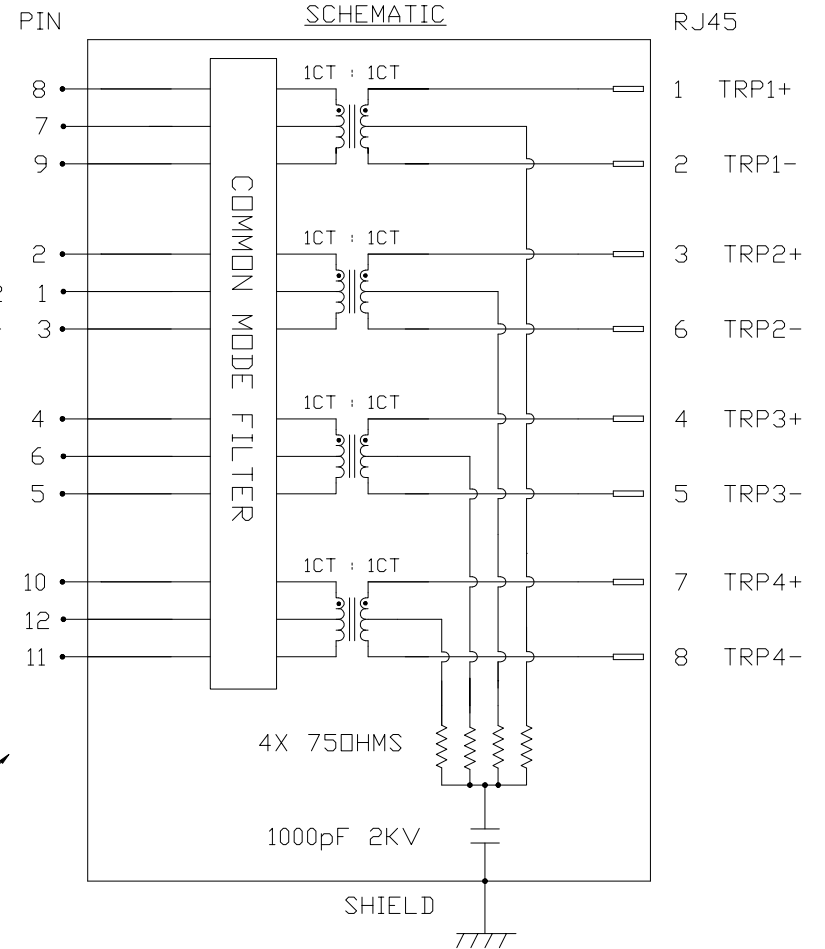
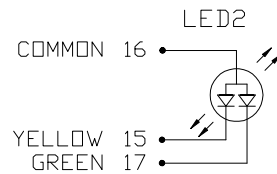
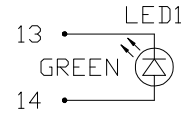
CM TO CM REJ 1MHz - 500MHz -25 dB MIN

CM TO DM REJ 1MHz - 500MHz -25 dB MIN

HIPOT (Isolation Voltage): 2250 VDC
100% OF PRODUCTION TESTED TO COMPLY WITH IEEE 802.3 ISOLATION REQUIREMENTS.

LED VF (FORWARD VOLTAGE)	IF=20mA	GREEN	2.2V TYP.
		YELLOW	2.1V TYP.
λD (DOMINANT WAVELENGTH)	IF=20mA	GREEN	570nm TYP.
		YELLOW	590nm TYP.

OPERATING TEMPERATURE: 0°C TO +85°C.



ORIGINATED BY
BILL LIU
DATE 2024-01-29

DRAWN BY
FRANK LIU
DATE 2024-01-29

TITLE
10 Gigabit MagJack®
(Ultra Low Profile)
PATENTED

PART NO. / DRAWING NO.
G10-1GHT-113-W

FILE NAME
G10-1GHT-113-W_1.DWG

STANDARD DIM. [] METRIC DIM.
TOL. IN INCH AS REF.

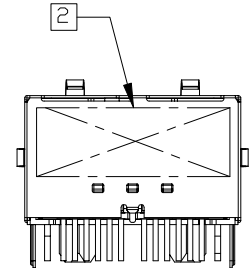
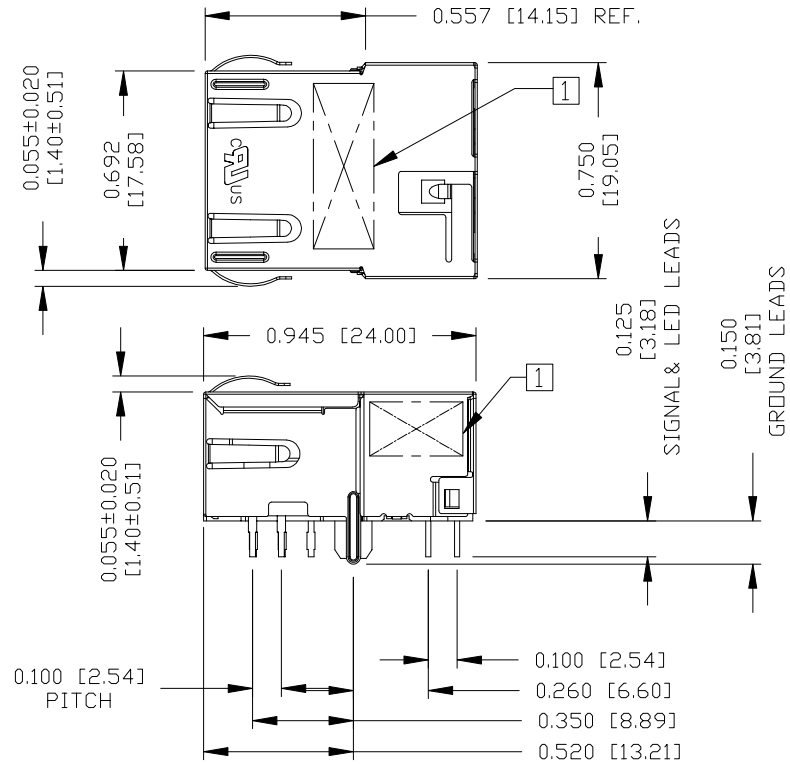
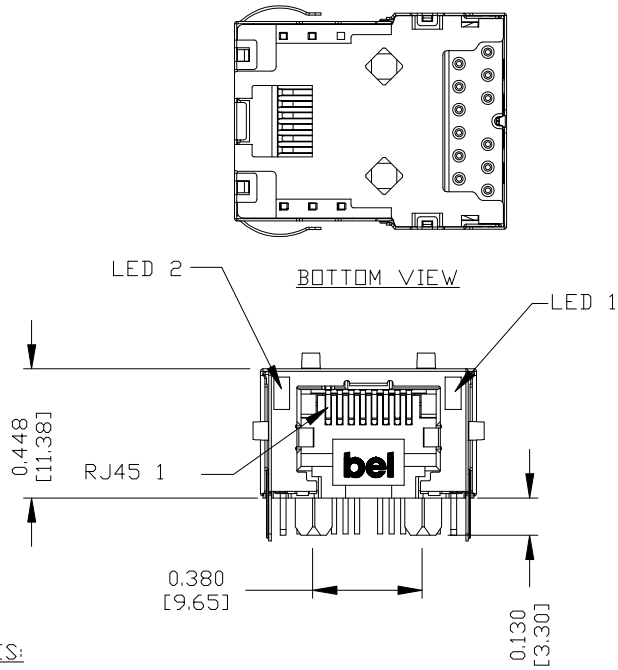
.X UNIT : INCH [mm]
.XX SCALE : N/A
.XXX SIZE : A4

REV. : 1 PAGE : 2

THE INFORMATION CONTAINED HEREIN IS CONSIDERED "PROPRIETARY" TO BEL FUSE INC. AND SHALL NOT BE COPIED, REPRODUCED OR DISCLOSED WITHOUT THE WRITTEN APPROVAL OF BEL FUSE INC.

MECHANICAL SPECIFICATION

RoHS



NOTES:

- PLASTIC HOUSING: THERMOPLASTIC PA, BLACK
FLAMMABILITY RATING UL 94V-0
- CONTACTS: 50 MICRO-INCH HARD GOLD PLATING OR EQUIVALENT.
- OUTPUT PINS: TIN-COATED COPPER WIRE, DIA 0.018 INCH.
100 MICRO-INCH MIN MATTE TIN. PINS ARE SOLDER DIPPED.
- METAL SHIELD: NICKEL PLATED ON COPPER ALLOY.
(ALL GROUND LEADS ARE SOLDER DIPPED)

- 1. MARK PART WITH PART NUMBER, DATE CODE AND PATENTED.
- 2. MARK PART WITH MFG. LOGO, MFG. NAME ON BACK VIEW.
- 3. THE PRODUCT IS RoHS COMPLIANT.
JACK CAVITY CONFORMS TO FCC RULES AND REGULATIONS.

- 4. THE PRODUCT IS PATENTED. THE PATENT NUMBER ARE
U.S. PAT. 7,429,195 AND U.S. PAT. 7,123,117 AND
U.S. PAT. 6,840,817 AND U.S. PAT. 7,924,130.
- 5. THE AXIAL RETENTION FORCE OF RJ PORT IS 15LBS MIN.
- 6. THE PART IS RECOMMENDED FOR WAVE SOLDERING. THE
SUGGESTED PEAK WAVE SOLDERING CONDITION IS 260°C MAX
AND 10 SECONDS MAX.

UL RECOGNIZED - FILE #E169987.

ORIGINATED BY
TONY YUAN
DATE 2024-01-29

DRAWN BY
JARRY YE
DATE 2024-01-29

TITLE
10 Gigabit MagJack®
(Ultra Low Profile)
PATENTED

PART NO. / DRAWING NO.
G10-1GHT-113-W

FILE NAME
G10-1GHT-113-W_1.DWG

STANDARD DIM. TOL. IN INCH	[] METRIC DIM. AS REF.
.X	UNIT : INCH [mm]
.XX	SCALE : N/A
.XXX	±0.010
	SIZE : A4

REV. : 1 PAGE : 3



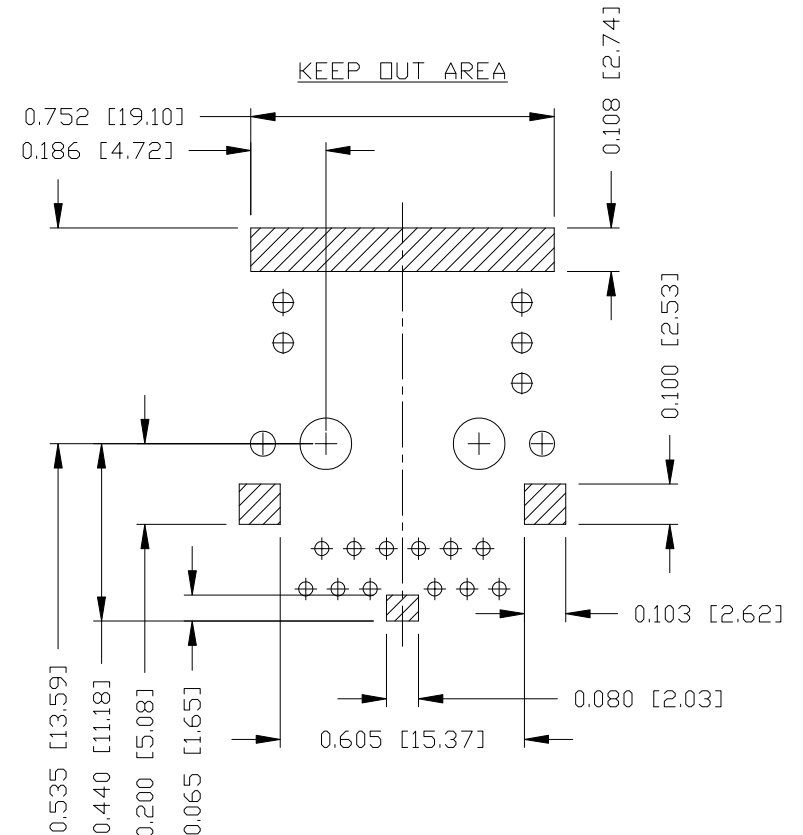
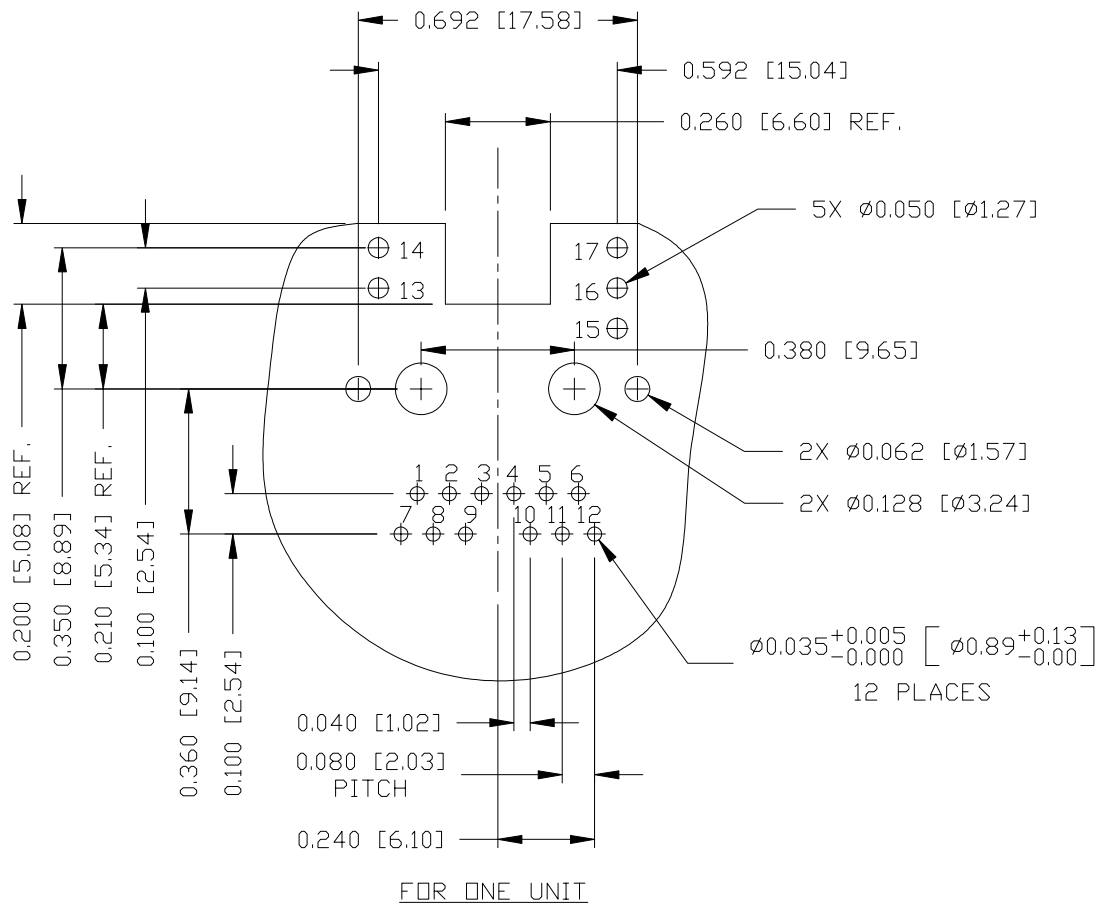
THE INFORMATION CONTAINED HEREIN IS CONSIDERED "PROPRIETARY" TO BEL FUSE INC. AND SHALL NOT BE COPIED, REPRODUCED OR DISCLOSED WITHOUT THE WRITTEN APPROVAL OF BEL FUSE INC.

RoHS



RECOMMENDED PCB FOOTPRINT

COMPONENT SIDE VIEW



THE SHADED AREA ON THE CUSTOMER BOARD ARE RECOMMENDED TO BE CLEAR OFF ANY VIA HOLE OR COMPONENT PAD.

ORIGINATED BY
TONY YUAN
DATE 2024-01-29

DRAWN BY
JARRY YE
DATE 2024-01-29

TITLE
10 Gigabit MagJack®
(Ultra Low Profile)
PATENTED

PART NO. / DRAWING NO.
G10-1GHT-113-W

FILE NAME
G10-1GHT-113-W_1.DWG

STANDARD DIM. TOL. IN INCH	[] METRIC DIM. AS REF.
.X	UNIT : INCH [mm]
.XX	SCALE : N/A
.XXX ±0.004	SIZE : A4

REV. : 1 PAGE : 4

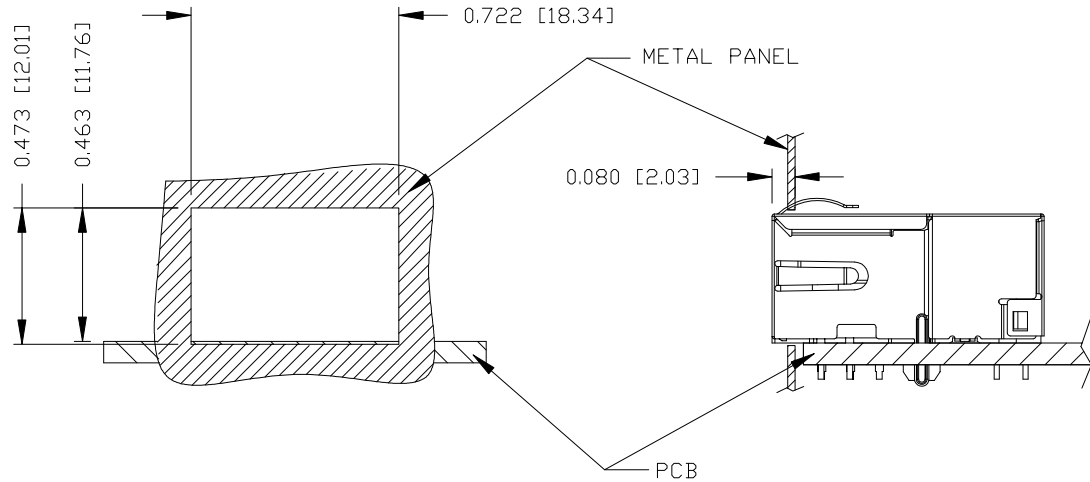


THE INFORMATION CONTAINED HEREIN IS CONSIDERED "PROPRIETARY" TO BEL FUSE INC. AND SHALL NOT BE COPIED, REPRODUCED OR DISCLOSED WITHOUT THE WRITTEN APPROVAL OF BEL FUSE INC.

RoHS



SUGGESTED PANEL OPENING



NOTE:

THE DISTANCE OF PANEL INSIDE SURFACE RELATIVE TO FRONT SURFACE OF PART IS ONLY A SUGGESTION. IN CASE THIS DISTANCE IS DIFFERENT, THE REQUIRED PANEL OPENING DIMENSIONS CHANGE ACCORDINGLY.

TRAY PACKING INFORMATION

PACKING TRAY : 0200-9999-E4 (TOP)

0200-9999-E5 (BOTTOM)

PACKING QUANTITY : 60 PCS FINISHED GOODS PER TRAY

11 TRAYS (660 PCS FINISHED GOODS) PER CARTON BOX

NOTE : CARDBOARDS ARE PLACED BETWEEN LAYERS OF PACKING TRAY INSIDE CARTON BOX (INCLUDE THE UPPERMOST AND LOWERMOST TRAY)

REV. : 1 PAGE : 5

ORIGINATED BY
TONY YUAN
DATE 2024-01-29

DRAWN BY
JARRY YE
DATE 2024-01-29

TITLE
10 Gigabit MagJack®
(Ultra Low Profile)
PATENTED

PART NO. / DRAWING NO.
G10-1GHT-113-W

FILE NAME
G10-1GHT-113-W_1.DWG

STANDARD DIM. TOL. IN INCH	[] METRIC DIM. AS REF.
.X	UNIT : INCH [mm]
.XX	SCALE : N/A
.XXX ±0.005	SIZE : A4

