



THE INFORMATION CONTAINED HEREIN IS CONSIDERED "PROPRIETARY" TO BEL FUSE INC. AND SHALL NOT BE COPIED, REPRODUCED OR DISCLOSED WITHOUT THE WRITTEN APPROVAL OF BEL FUSE INC.

RoHS



**ELECTRICAL CHARACTERISTICS @ 25°C**

**TURNS RATIO**

TP1	1CT : 1CT
TP2	1CT : 1CT
TP3	1CT : 1CT
TP4	1CT : 1CT

**INS. LOSS (MAX)**

1MHz TO 20MHz	-0.8 dB
50MHz	-1.0 dB
200MHz	-1.2 dB
400MHz	-2.0 dB
500MHz	-3.0 dB

**RET. LOSS (MIN)**

1MHz - 40MHz	-16 dB
40MHz - 400 MHz	-16+10LOG (F/40) dB
400MHz - 500 MHz	-6+30LOG (F/400) dB

**CM TO CM REJ**

1MHz - 500MHz	-30 dB MIN
---------------	------------

**CM TO DM REJ**

1MHz - 500MHz	-30 dB MIN
---------------	------------

**HIPOT (Isolation Voltage):**

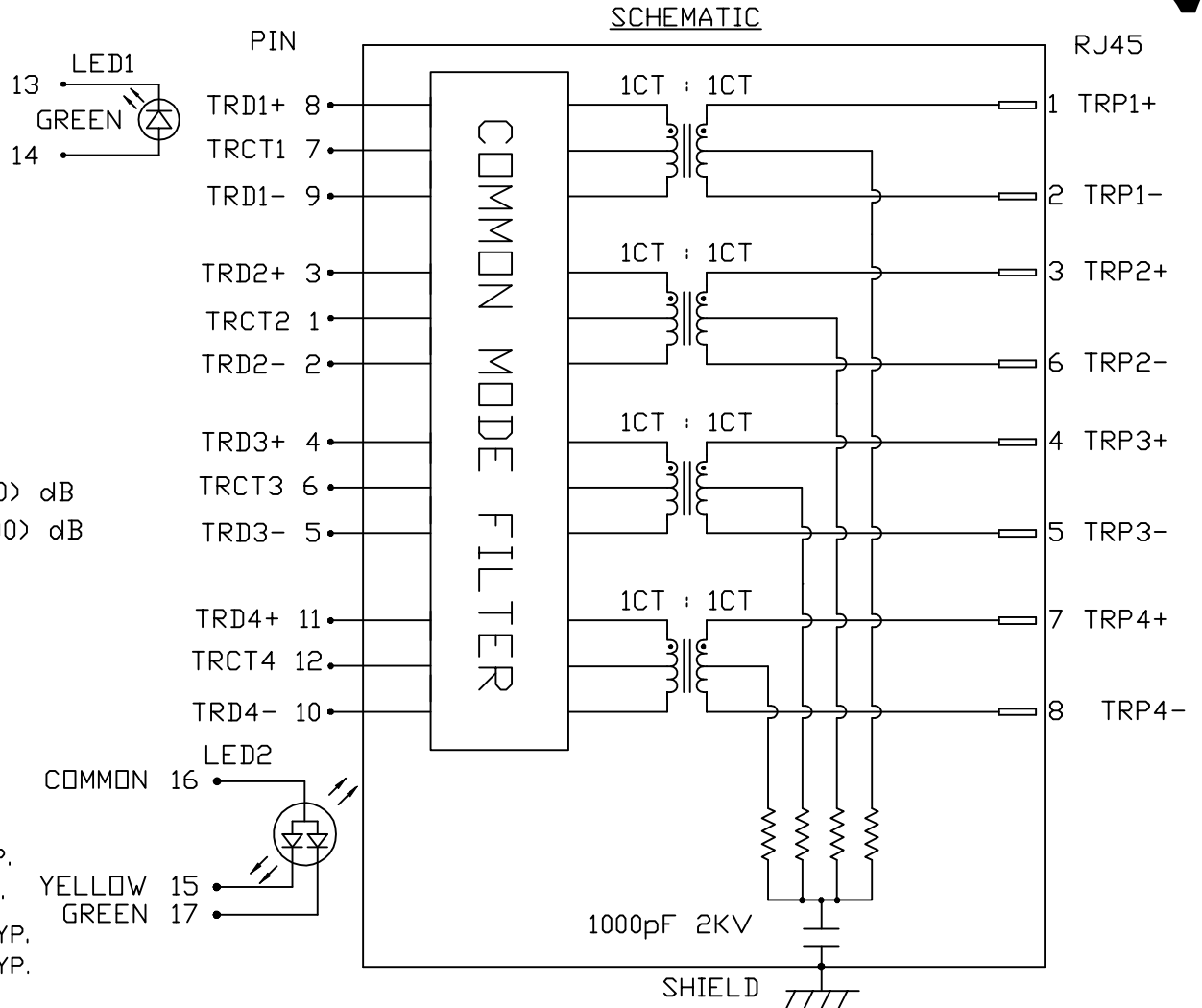
2250VDC

100% OF PRODUCTION TESTED TO COMPLY WITH IEEE 802.3 ISOLATION REQUIREMENTS.

**LED**

VF (FORWARD VOLTAGE)	IF=20mA	GREEN	2.2V TYP.
		YELLOW	2.1V TYP.
λD (DOMINANT WAVELENGTH)	IF=20mA	GREEN	570nm TYP.
		YELLOW	590nm TYP.

OPERATING TEMPERATURE: -40°C TO +85°C.



ORIGINATED BY  
BILL LIU  
DATE 2024-08-22

DRAWN BY  
FRANK LIU  
DATE 2024-08-22

TITLE  
1X1 10 GIGABIT MagJack®  
(Ultra Low Profile)  
PATENTED

PART NO. / DRAWING NO.  
G10-1GHT-056J

FILE NAME  
G10-1GHT-056J\_1.DWG

STANDARD DIM. TOL. IN INCH	[ ] METRIC DIM. AS REF.
.X	UNIT : INCH [mm]
.XX	SCALE : N/A
.XXX	SIZE : A4

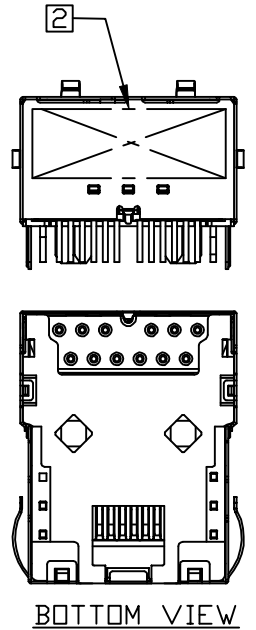
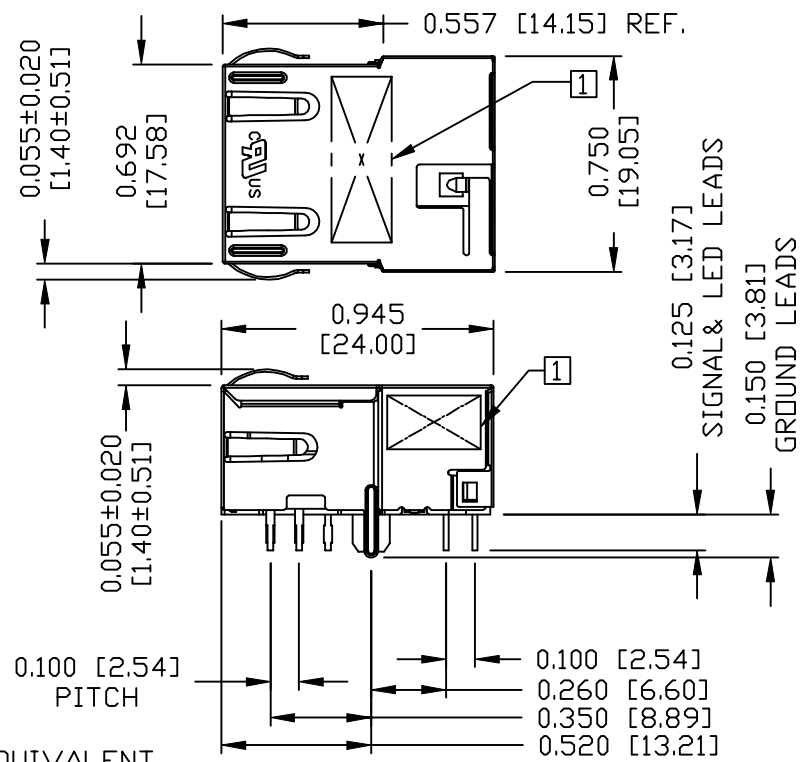
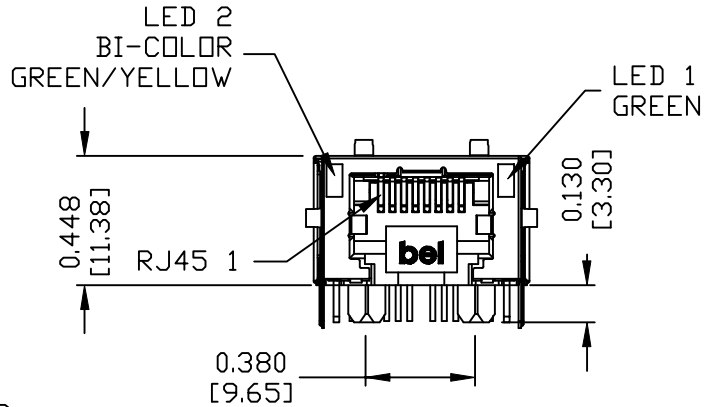
REV. :	1	PAGE :	2
--------	---	--------	---

a bel group

THE INFORMATION CONTAINED HEREIN IS CONSIDERED "PROPRIETARY" TO BEL FUSE INC. AND SHALL NOT BE COPIED, REPRODUCED OR DISCLOSED WITHOUT THE WRITTEN APPROVAL OF BEL FUSE INC.

MECHANICAL SPECIFICATION

RoHS



NOTES:

- PLASTIC HOUSING: THERMOPLASTIC PA, BLACK. FLAMMABILITY RATING UL 94V-0
- CONTACTS: 50 MICRO-INCH HARD GOLD PLATING OR EQUIVALENT.
- OUTPUT PINS: TIN-COATED COPPER WIRE, DIA 0.018 INCH. 100 MICRO-INCH MIN MATTE TIN. PINS ARE SOLDER DIPPED.
- METAL SHIELD: NICKEL PLATED ON COPPER ALLOY. (ALL GROUND LEADS ARE SOLDER DIPPED)

- 1. MARK PART WITH PART NUMBER (G10-1GHT-056H), DATE CODE AND PATENTED.
- 2. MARK PART WITH MFG. LOGO, MFG. NAME ON BACK VIEW.
- 3. THE PRODUCT IS RoHS COMPLIANT. JACK CAVITY CONFORMS TO FCC RULES AND REGULATIONS.

UL USUL RECOGNIZED - FILE #E169987.

- 4. THE PART IS RECOMMENDED FOR WAVE SOLDERING. THE SUGGESTED PEAK WAVE SOLDERING CONDITION IS 260°C MAX. AND 10 SECONDS MAX.
- 5. THE PRODUCT IS PATENTED. THE PATENT NUMBER ARE U.S. PAT. 7,429,195 & U.S. PAT. 7,123,117 & U.S. PAT. 6,840,817 AND U.S. PAT. 7,924,130.
- 6. THE AXIAL RETENTION FORCE OF RJ PORT IS 15LBS MIN.

REV. : 1 PAGE : 3

ORIGINATED BY  
TONY YUAN  
DATE 2024-08-22  
DRAWN BY  
TOWER YU  
DATE 2024-08-22

TITLE  
1X1 10 GIGABIT MagJack<sup>®</sup>  
(Ultra Low Profile)  
PATENTED

PART NO. / DRAWING NO.  
G10-1GHT-056J  
FILE NAME  
G10-1GHT-056J\_1.DWG

STANDARD DIM. TOL. IN INCH		[ ] METRIC DIM. AS REF.	
.X		UNIT : INCH [mm]	
.XX		SCALE : N/A	
.XXX	±0.010	SIZE : A4	



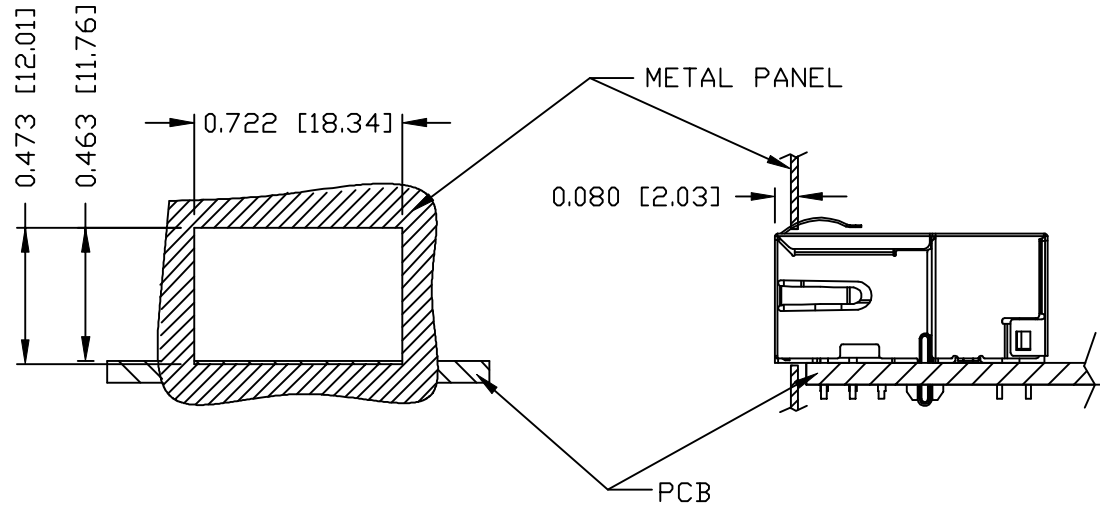


THE INFORMATION CONTAINED HEREIN IS CONSIDERED "PROPRIETARY" TO BEL FUSE INC. AND SHALL NOT BE COPIED, REPRODUCED OR DISCLOSED WITHOUT THE WRITTEN APPROVAL OF BEL FUSE INC.

RoHS



SUGGESTED PANEL OPENING



NOTE:

THE DISTANCE OF PANEL INSIDE SURFACE RELATIVE TO FRONT SURFACE OF PART IS ONLY A SUGGESTION. IN CASE THIS DISTANCE IS DIFFERENT, THE REQUIRED PANEL OPENING DIMENSIONS CHANGE ACCORDINGLY.

TRAY PACKING INFORMATION

PACKING TRAY : 0200-9999-E4 (TOP)  
0200-9999-E5 (BOTTOM)

PACKING QUANTITY : 60 PCS FINISHED GOODS PER TRAY  
11 TRAYS (660 PCS FINISHED GOODS) PER CARTON BOX

NOTE : CARDBOARDS ARE PLACED BETWEEN LAYERS OF PACKING TRAY INSIDE CARTON BOX (INCLUDE THE UPPERMOST AND LOWERMOST TRAY)

REV. :	1	PAGE :	5
--------	---	--------	---

ORIGINATED BY TONY YUAN	TITLE  1X1 10 GIGABIT MagJack <sup>®</sup> (Ultra Low Profile) PATENTED
DATE 2024-08-22	
DRAWN BY TOWER YU	
DATE 2024-08-22	

PART NO. / DRAWING NO. G10-1GHT-056J	STANDARD DIM. TOL. IN INCH	[ ] METRIC DIM. AS REF.
FILE NAME G10-1GHT-056J_1.DWG	.X	UNIT : INCH [mm]
	.XX	SCALE : N/A
	.XXX ±0.005	SIZE : A4

