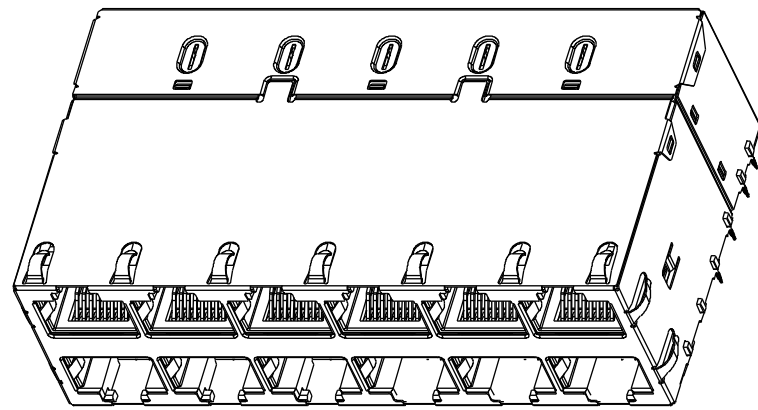


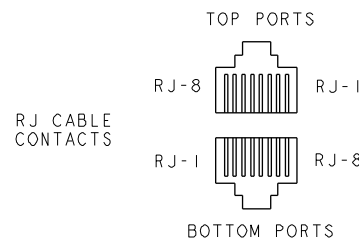
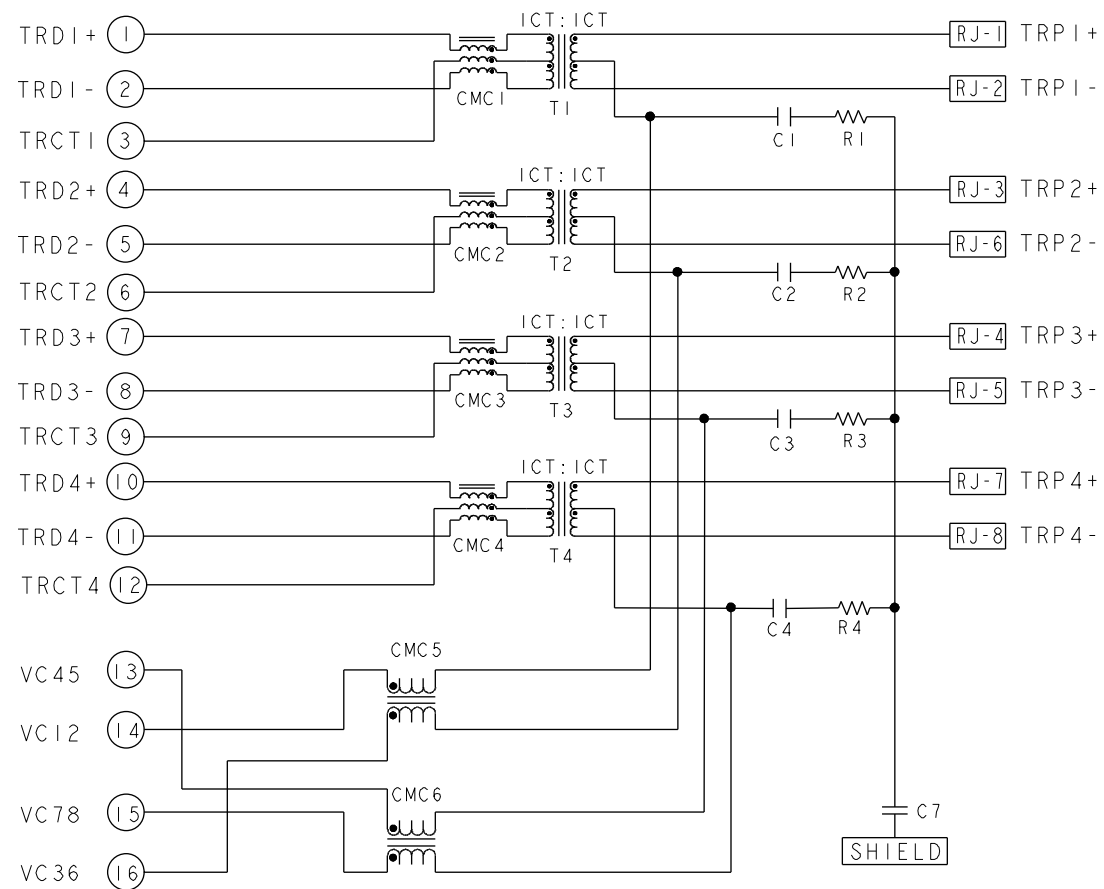
THIS DRAWING AND THE SUBJECT MATTER SHOWN THEREON ARE CONFIDENTIAL AND THE PROPERTY OF BEL/STEWART/TRP CONNECTOR AND SHALL NOT BE REPRODUCED, COPIED, OR USED IN ANY MANNER WITHOUT THE WRITTEN CONSENT OF TRP CONNECTOR.

PRODUCT MAY BE PROTECTED BY ONE OR MORE OF THE FOLLOWING US PATENTS:
 5736910 5939955 6425781 6428361 6554638 6840817 7123117
 7429195 7717749 7808751 6217391 6149050 7924130

REVISIONS				
#	DATE	DESCRIPTION	DATE	APP'D
1		INITIAL RELEASE	27-JUN-2023	CZ TY



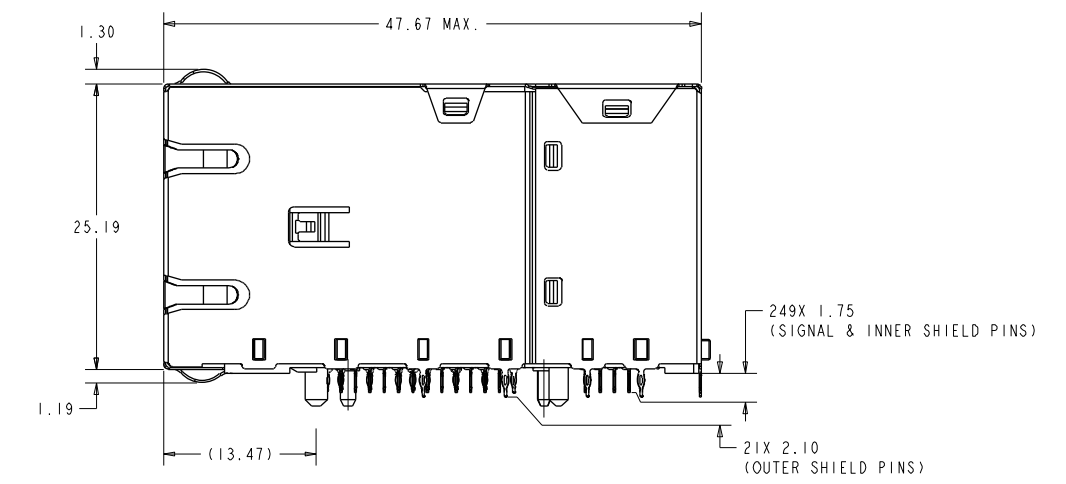
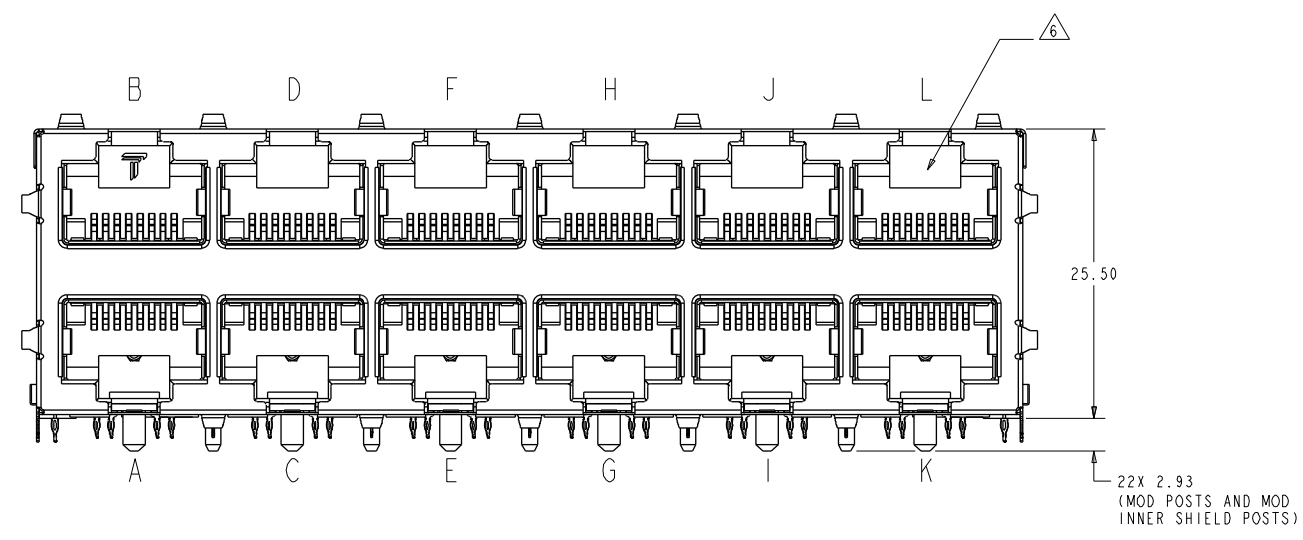
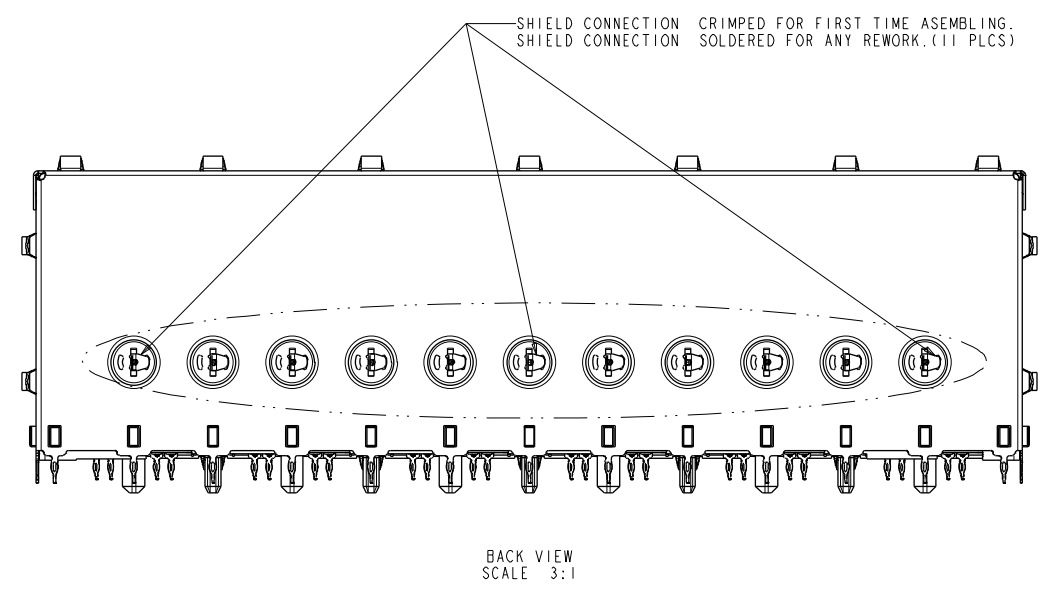
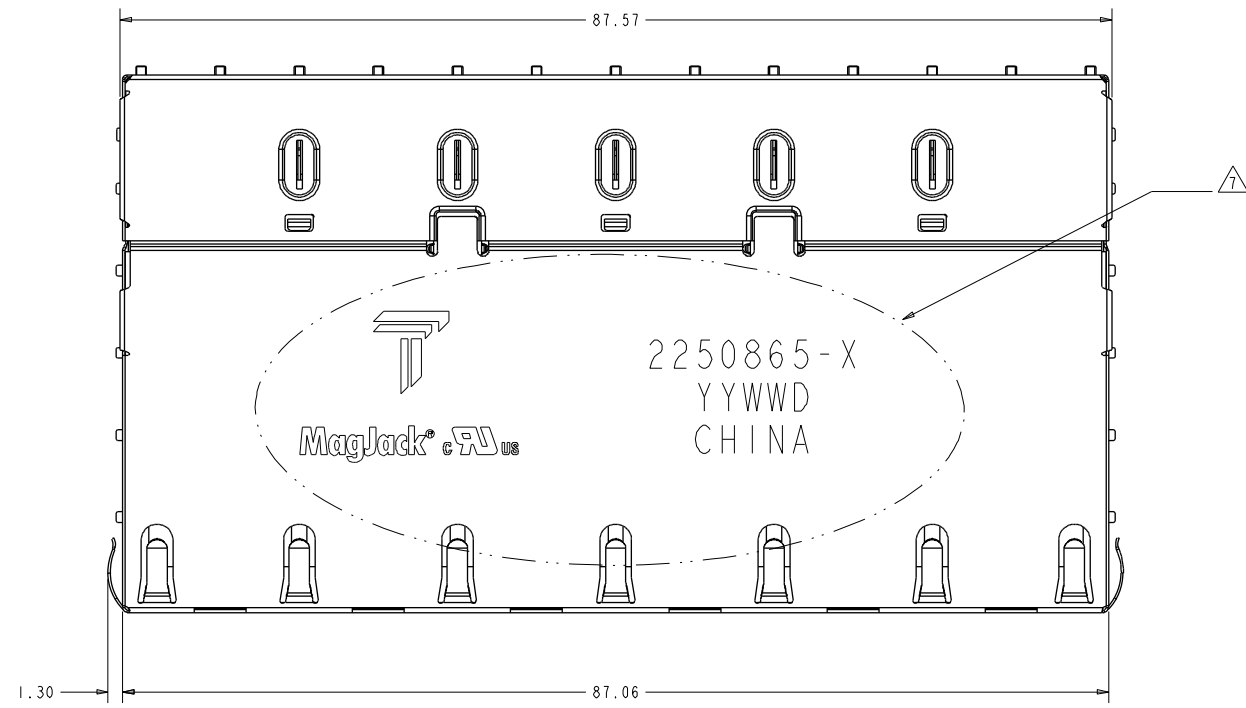
S9HTG09 10G UPOE CIRCUIT $\Delta\Delta$
 (TOP AND BOTTOM PORTS)



C1-C4= 22nF, 100V, CAPACITORS
 C7= 1000pF, 2KV, CAPACITORS
 R1-R4= 75 ohms, 1/16W, RESISTORS

- Δ MATERIALS
 HOUSING: THERMOPLASTIC, BLACK, FLAMMABILITY RATING UL 94V-0
 SHIELD: COPPER BASE ALLOY, PREPLATED WITH MIN 0.76um SEMI-BRIGHT NICKEL
 CONTACT: PHOSPHOR BRONZE, WITH 1.27um MIN OVERALL NICKEL UNDERPLATE AND SELECTIVE 1.27um MIN GOLD PLATING AT MATING INTERFACE
 COMPLIANT PIN: PHOSPHOR BRONZE, PLATED WITH 2.54um MIN MATTE TIN OVER 1.27um MIN NICKEL.
- Δ MAGNETICS
 - APPLICATION: 1G/10G BASE-T
 - IMPEDANCE: 100 OHMS
 - TURNS RATIO (CHIP:CABLE): 1:1 ALL FOUR PAIRS
 - OPEN CIRCUIT INDUCTANCE (OCL): 120uH MIN @23mA, 100kHz, 0.1VRMS, ALL FOUR PAIRS.
 - ALL FOUR PAIRS BI-DIRECTIONAL
 - PoE CURRENT: 600 mA DC MAX
 - PERFORMANCE @ 25°C (WHERE f IS FREQUENCY IN MHZ)
 (a) INSERTION LOSS (IL):
 1MHz TO 200MHz -0.8 dB MIN
 200MHz TO 400MHz -1.4 dB MIN
 (b) RETURN LOSS (RL):
 1MHz TO 40MHz -18 dB MAX
 40MHz TO 400MHz -18+10*LOG10(f/40) dB MAX
 400MHz TO 500MHz -8+30*LOG10(f/400) dB MAX
 (c) CROSSTALK ATTENUATION:
 1MHz TO 500MHz -20 dB MAX
 (d) COMMON MODE REJECTION:
 1MHz TO 250MHz -20 dB MAX
 250MHz TO 500MHz -20+25*LOG10(f/250) dB MAX
 - ISOLATION VOLTAGE: 2250VDC(MAX) FOR 60 SECONDS WITH A RISE TIME OF 500V/SEC, WITH ALL PORTS CONNECTED.
- Δ THE MAGNETIC CIRCUIT ON ALL FOUR CHANNELS IS SYMMETRICAL AND SUPPORTS AUTO-MDIX OPERATION.
- 4. OPERATING TEMPERATURE: 0°C - 70°C.
- Δ DATUM Y AND BASIC DIMENSION ESTABLISHED BY CUSTOMER.
- Δ RJ45 CAVITY CONFORMS TO FCC RULES AND REGULATION PART 68 SUBPART F.
- Δ TRP CONNECTOR LOGO, PART NUMBER, DATE CODE, COUNTRY OF ORIGIN, AGENCY APPROVAL MARKING IN APPROPRIATE LOCATION SHOWN.
 DATE CODE: YYWD WHERE "YY" IS YEAR, "WW" IS WORK WEEK, "D" IS DAY OF WEEK, WITH SUNDAY= 1
- Δ PANEL SEATING LOCATION WITH RESPECT TO HOST PCB EDGE.
- Δ FOR HOLE SIZE AND PLATINGS, SEE SHEET 4.

THIS DRAWING IS A CONTROLLED DOCUMENT. AND COMPLIANT TO ASME Y14.5M		DWN: CLOUD ZENG/311111 27-JUN-2023 CHK: RICK LI/BILL LIU 27-JUN-2023 APP'D: TONY YUAN 27-JUN-2023		DONGGUAN CHINA	
DIMENSIONS: mm	TOLERANCES UNLESS OTHERWISE SPECIFIED: 0 PLC ±0.25 1 PLC ±0.25 2 PLC ±0.25 3 PLC ±0.25 4 PLC ±0.25 ANGLES ±°	MODEL NAME MAG JACK	DESC 2X6 S9HTG09 10G UPOE, NO 5th CHANNEL PRESS FIT, W/O LEDS	SIZE A1	RESTRICTED TO
PRODUCT SPEC 108-104017	APPLICATION SPEC -	STOCK CODE STACK 4PPOE	DRAWING NO C=2250865	SCALE NTS	SHEET 1 OF 5 REV 1
Customer Drawing			2250865-1 PART NUMBER		



THIS DRAWING IS A CONTROLLED DOCUMENT.
 AND COMPLIANT TO ASME Y14.5M

DWN: CLOUD ZENG/731-LIU 27-JUN-2023
 CHN: RICK LI/BILL LIU 27-JUN-2023
 APJ: TONY YUAN 27-JUN-2023

TRP CONNECTOR DONGGUAN CHINA

MODEL NAME: MAG JACK
 STACK 4PPOE

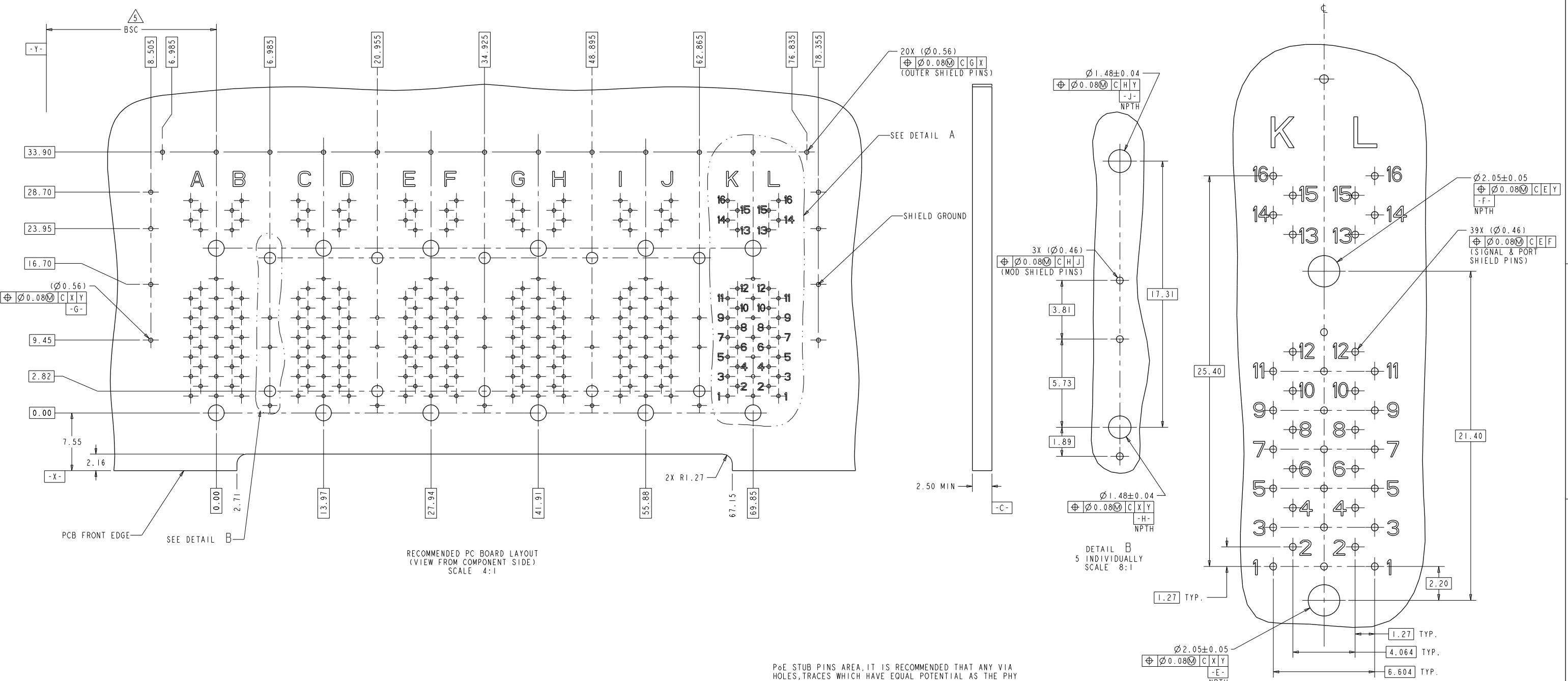
DESC: 2X6 S9HTG09 10G UPoE, NO 5th CHANNEL
 PRESS FIT, W/O LEDS

PRODUCT SPEC: 108-104017
 APPLICATION SPEC: -

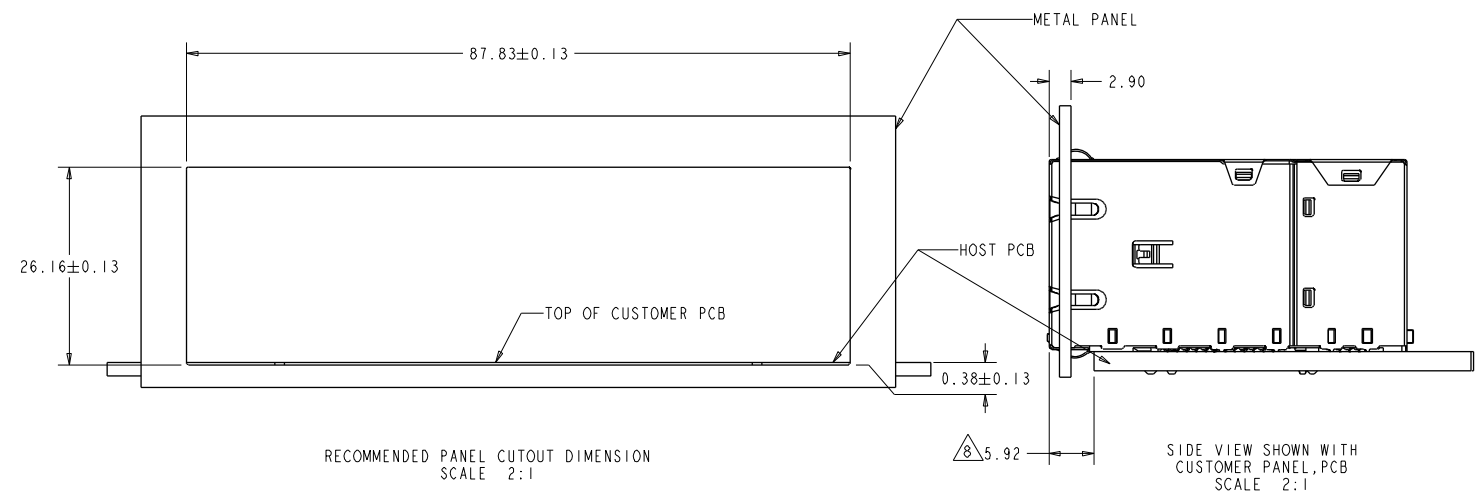
SIZE: A1
 CAGE CODE: -
 DRAWING NO: 2250865

Customer Drawing

SCALE: NTS
 SHEET: 2 OF 5
 REV: 1

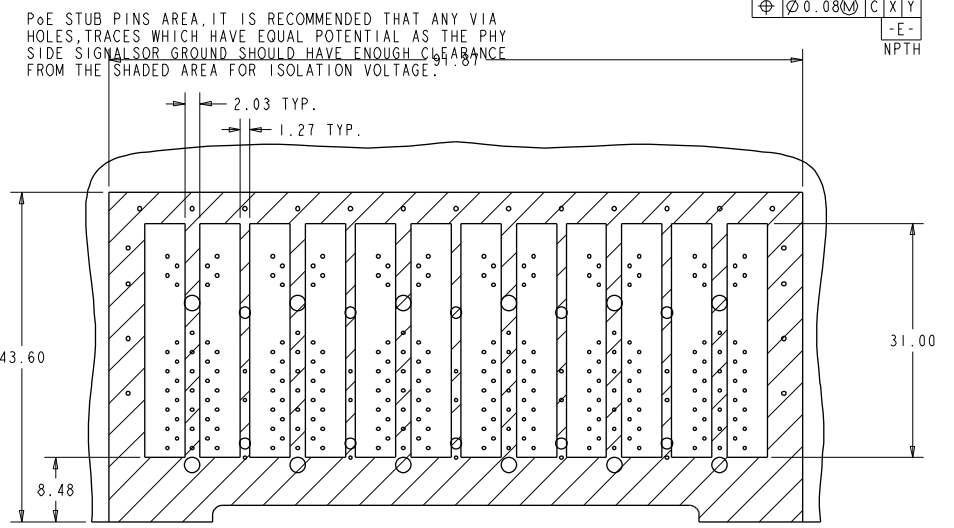


RECOMMENDED PC BOARD LAYOUT
 (VIEW FROM COMPONENT SIDE)
 SCALE 4:1



RECOMMENDED PANEL CUTOUT DIMENSION
 SCALE 2:1

SIDE VIEW SHOWN WITH
 CUSTOMER PANEL, PCB
 SCALE 2:1

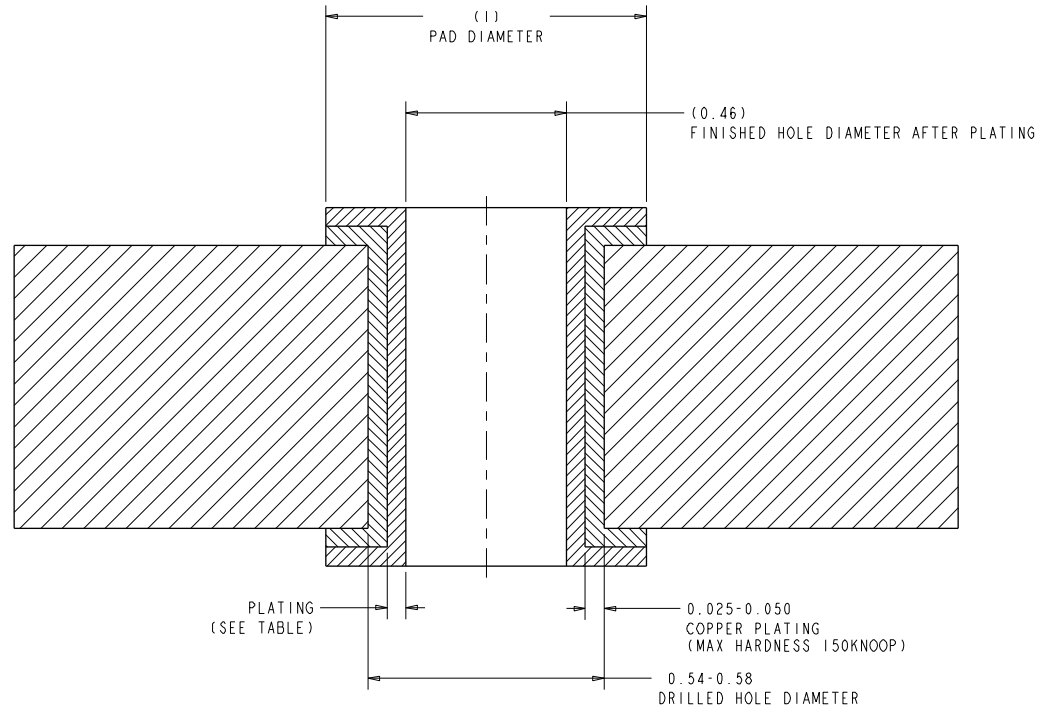


PoE STUB PINS AREA, IT IS RECOMMENDED THAT ANY VIA HOLES, TRACES WHICH HAVE EQUAL POTENTIAL AS THE PHY SIDE SIGNAL OR GROUND SHOULD HAVE ENOUGH CLEARANCE FROM THE SHADED AREA FOR ISOLATION VOLTAGE.

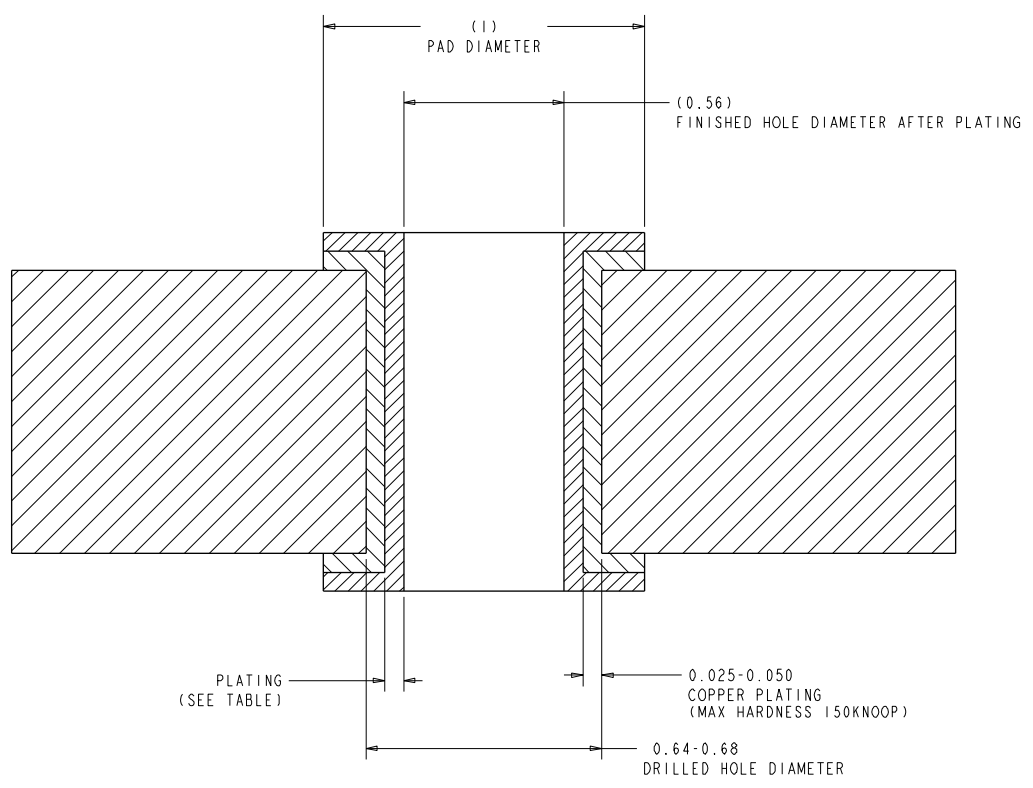
HATCHED AREA TO BE CLEAR OF ANY COMPONENT SIDE TRACES OR VIAS (EXCEPT FOR GROUND)
 SCALE 2:1

PHY SIDE STUB PINS AREA, IT IS RECOMMENDED THAT ANY VIA HOLES, TRACES WHICH HAVE EQUAL POTENTIAL AS THE CABLE SIDE SIGNAL OR PoE SIGNAL SHOULD HAVE ENOUGH CLEARANCE FROM THE SHADED AREA FOR ISOLATION VOLTAGE.

THIS DRAWING IS A CONTROLLED DOCUMENT, AND COMPLIANT TO ASME Y14.5M		DWN: CLOUD ZENG/31 LIU 27-JUN-2023		trp CONNECTOR DONGGUAN CHINA
DIMENSIONS: mm		CHK: RICK LI/BILL LIU 27-JUN-2023		
TOLERANCES UNLESS OTHERWISE SPECIFIED:		APPR: TONY YUAN 27-JUN-2023		MODEL NAME: MAG JACK 2X6 S9HTG09 10G UPoE, NO 5th CHANNEL PRESS FIT, W/O LEDS
0 PLC ±0.25 1 PLC ±0.25 2 PLC ±0.25 3 PLC ±0.25 4 PLC ±0.25 ANGLES ±		PRODUCT SPEC: 108-104017 APPLICATION SPEC:		
SIZE: A1		DRAWING NO: C=2250865		RESTRICTED TO
Customer Drawing		SCALE: NTS		SHEET 3 OF 5 REV 1



RECOMMENDED HOLE DIMENSIONS FOR SIGNAL CONTACTS



RECOMMENDED HOLE DIMENSIONS FOR SHIELD CONTACTS

THICKNESS	PLATING
0.004-0.010	HOT AIR SOLDER LEVELING (HASL) TIN-LEAD (Sn Pb)
0.0005-0.001	IMMERSION TIN (Sn)
0.0002-0.0005	ORGANIC SOLDERABILITY PRESERVATIVE (OSP)
0.0001-0.0005 Au, 0.004-0.0076 Ni	IMMERSION GOLD (Au) OVER NICKEL (Ni) (ENIG)
0.010-0.025	TIN LEAD PLATING (Sn Pb)
0.0001-0.00015	IMMERSION SILVER (Ag)


THIS DRAWING IS A CONTROLLED DOCUMENT, AND COMPLIANT TO ASME Y14.5M

DWN: CLOUD ZENG/731 LIU	27-JUN-2023	trp CONNECTOR DONGGUAN CHINA
CHK: RICK LI/BILL LIU	27-JUN-2023	
APVD: TONY YUAN	27-JUN-2023	MODEL NAME: MAG JACK STACK 4PPOE DESC: 2X6 S9HTG09 10G UPoE, NO 5th CHANNEL PRESS FIT, W/O LEDS
DIMENSIONS: mm TOLERANCES UNLESS OTHERWISE SPECIFIED: 0 PLC ±0.25 1 PLC ±0.25 2 PLC ±0.25 3 PLC ±0.25 4 PLC ±- ANGLES ±-	PRODUCT SPEC: 108-104017 APPLICATION SPEC: -	SIZE: A1 CAGE CODE: - DRAWING NO: 2250865 SCALE: NTS SHEET 4 OF 5 REV 1

Customer Drawing

2250865					STOCK DISPOSITION			
2X6 S9HTG09 10G UPoE, NO 5th CHANNEL, PRESS FIT, W/O LEDS					A: CONTINUE AS IS D: USE OLD FIRST B: REWORK E: PARTS TO CONFORM C: SCRAP F: OTHER			
REVISION HISTORY								
DATE	REV	CHANGES	REASON	APPROVAL	INVENTORY (A.B.C.D.E.F)	WORK IN PROCESS (A.B.C.D)	SUPPLIER ORDERS (A.E.F.)	OPEN CUST ORDERS (A.E.F)
27-JUN-2023	I	INITIAL RELEASE	INITIAL RELEASE	TY	-	-	-	-

THIS DRAWING IS A CONTROLLED DOCUMENT.
AND COMPLIANT TO ASME Y14.5M

DIMENSIONS: mm	TOLERANCES UNLESS OTHERWISE SPECIFIED: 0 PLC ±0.25 1 PLC ±0.25 2 PLC ±0.25 3 PLC ±0.25 4 PLC ±0.25 ANGLES ±°	DWN CLOUD ZENG/731 LIU 27-JUN-2023 CHK RICK LI/BILL LIU 27-JUN-2023 APPD TONY YUAN 27-JUN-2023	 trp CONNECTOR DONGGUAN CHINA
PRODUCT SPEC 108-104017	APPLICATION SPEC -	MODEL NAME MAG JACK STACK 4PPOE	DESC 2X6 S9HTG09 10G UPoE, NO 5th CHANNEL PRESS FIT, W/O LEDS
		SIZE A1	SCALE NTS
		DRAWING NO ©=2250865	RESTRICTED TO Customer Drawing
		SHEET 5	OF 5
		REV 1	