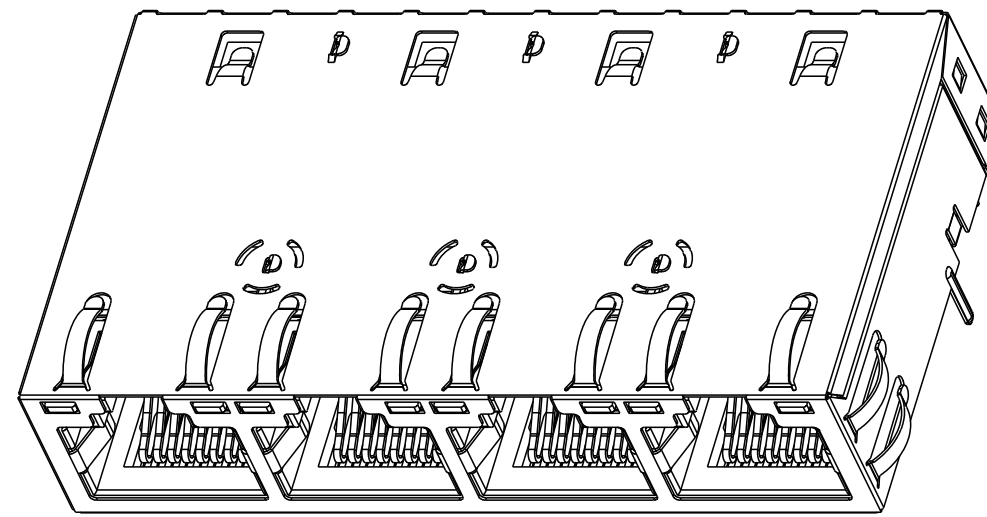
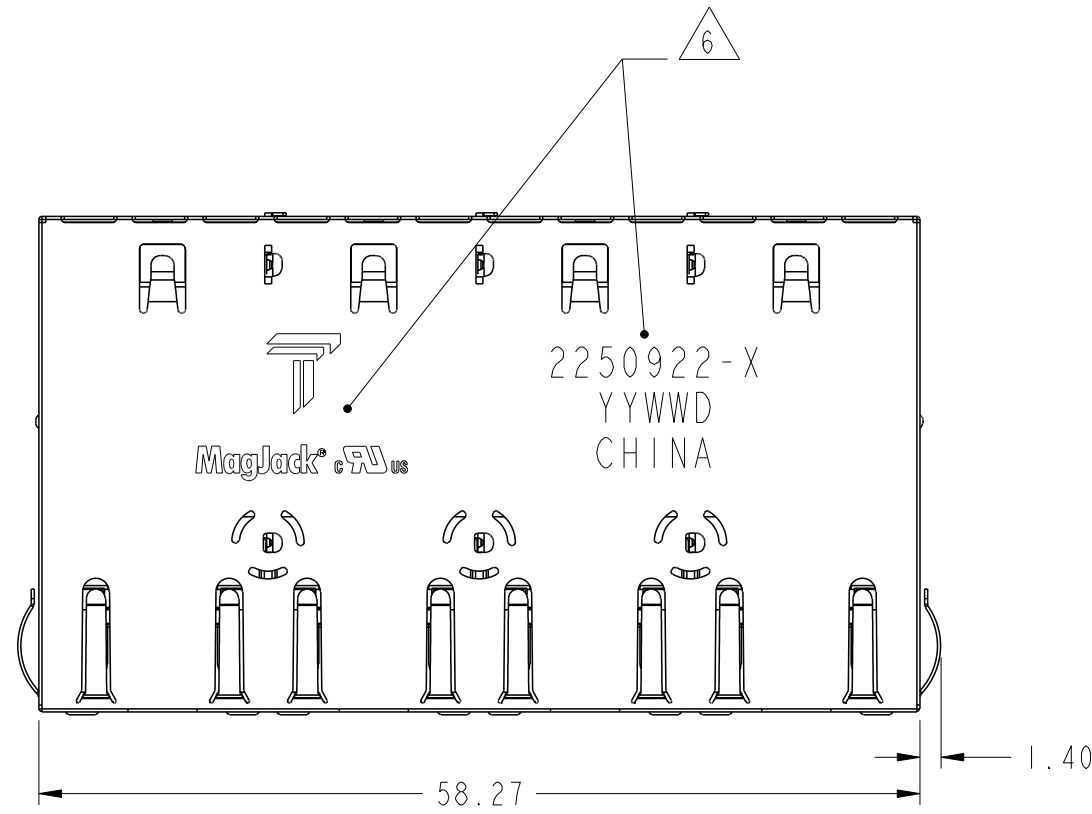


THIS DRAWING AND THE SUBJECT MATTER SHOWN THEREON ARE CONFIDENTIAL AND THE PROPERTY OF BEL/STEWART/TRP CONNECTOR AND SHALL NOT BE REPRODUCED, COPIED, OR USED IN ANY MANNER WITHOUT THE WRITTEN CONSENT OF TRP CONNECTOR.

PRODUCT MAY BE PROTECTED BY ONE OR MORE OF THE FOLLOWING US PATENTS:  
 5736910 5939955 6425781 6428361 6554638 6840817 7123117  
 7429195 7717749 7808751 6217391 6149050 7924130

REVISIONS				
P	LTR	DESCRIPTION	DATE	APVD
1		SEE LAST SHEET	16JUL2024	JY TY



1. MATERIALS

HOUSING: THERMOPLASTIC, BLACK, FLAMMABILITY RATING UL 94V-0  
 SHIELD: BRASS, 0.20mm THICK, PREPLATED WITH MIN 0.76µm SEMI-BRIGHT NICKEL  
 POST DIPPED WITH 2.54µm MIN SAC SOLDER AT GROUND PINS.  
 CONTACT: PHOSPHOR BRONZE, 0.46mmX0.30mm  
 WITH 1.27µm MIN OVERALL NICKEL UNDERPLATE AND  
 SELECTIVE 1.27µm MIN GOLD PLATING AT MATING INTERFACE  
 SOLDER TAILS (LED AND SIGNAL): Ø0.45mm COPPER PLATED STEEL,  
 PLATED WITH 2.54µm MIN MATTE TIN  
 LIGHT PIPE: POLYCARBON, TRANSPARENT, RATING UL 94V-0  
 LED: SMD TYPE

2. MAGNETICS

- APPLICATION: 1G/10G BASE-T  
 - IMPEDANCE: 100 OHMS  
 - TURNS RATIO (CHIP:CABLE): 1:1 ALL FOUR PAIRS  
 - OPEN CIRCUIT INDUCTANCE(OCL): 120µH MIN @100kHz, 0.1VRMS,  
 8mADC BIAS FROM 0°C TO 70°C, ALL FOUR PAIRS.  
 - ALL FOUR PAIRS BI-DIRECTIONAL  
 - PERFORMANCE @ 25°C, PLEASE REFER TO SEPARATE SHEET.  
 - ISOLATION VOLTAGE: 2250VDC(MAX) FOR 60 SECS WITH A RISE TIME OF 500V/SEC,  
 WITH ALL PORTS CONNECTED

3. OPERATING TEMPERATURE: 0°C TO 70°C

4. LEDS ARE DRIVEN WITH CONSTANT CURRENT AT APPROX 20mA.

LED COLOR: DOMINANT WAVELENGTH (λD): GREEN 568 nm TYP. at IF=20mA  
 FORWARD VOLTAGE (VF): GREEN 2.2V TYP. at IF=20mA

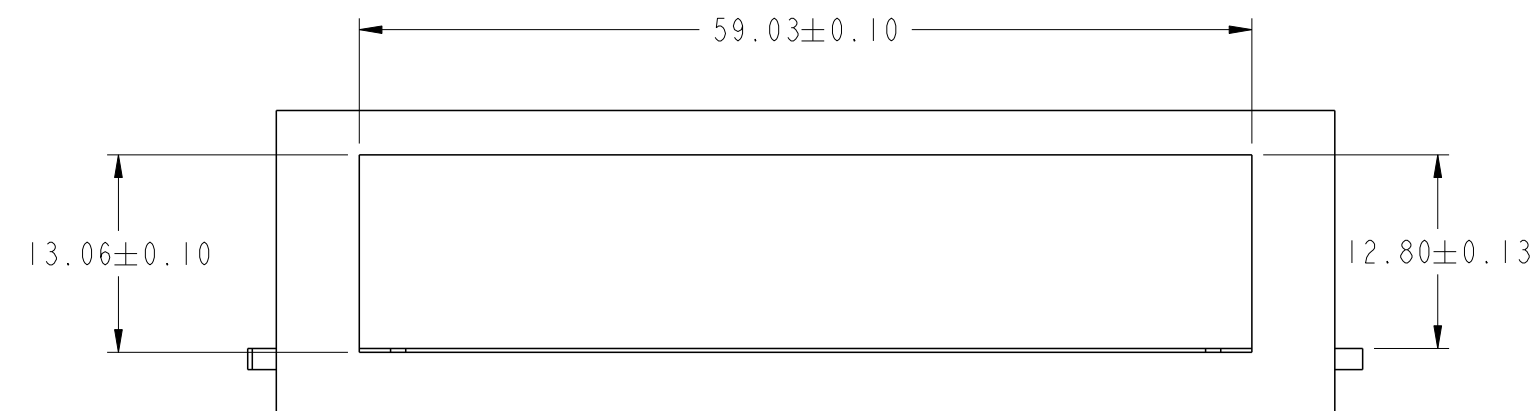
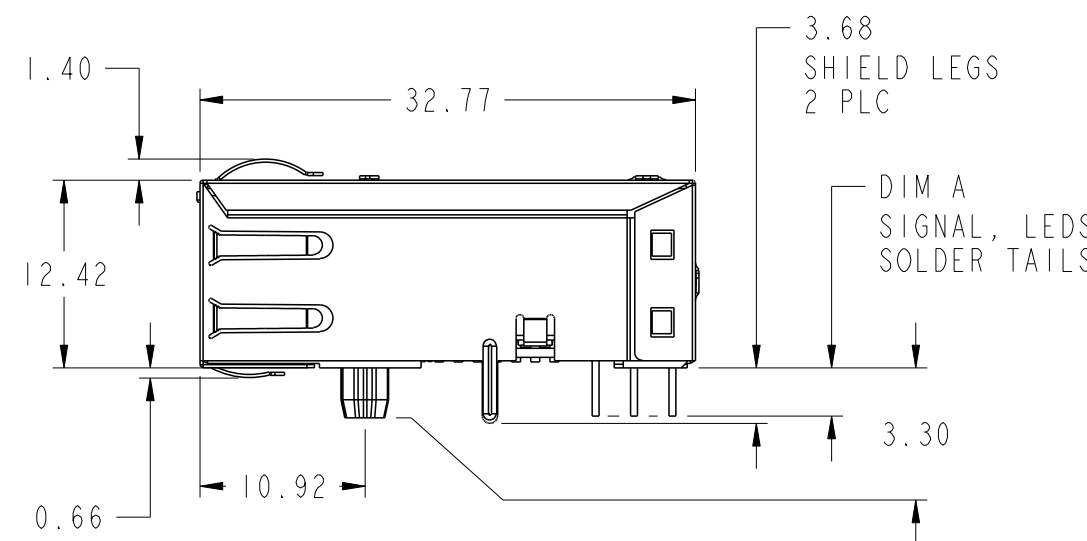
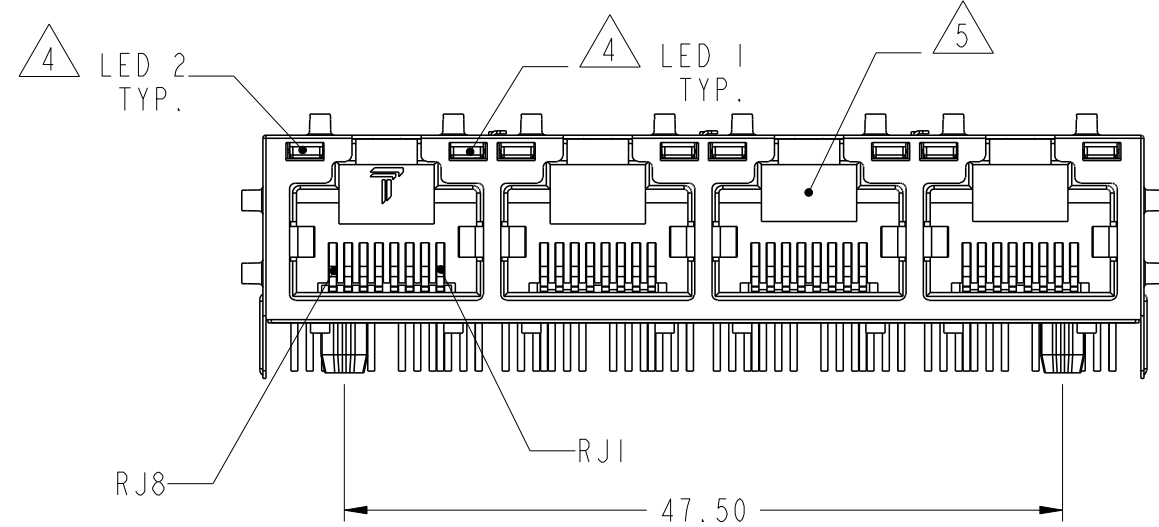
5. RJ45 CAVITY CONFORMS TO FCC RULES AND REGULATION PART 68 SUBPART F.

6. TRP CONNECTOR LOGO, PART NUMBER, DATE CODE, COUNTRY OF ORIGIN, AND AGENCY APPROVAL LOGO TO BE MARKED IN APPROPRIATE LOCATION SHOWN.

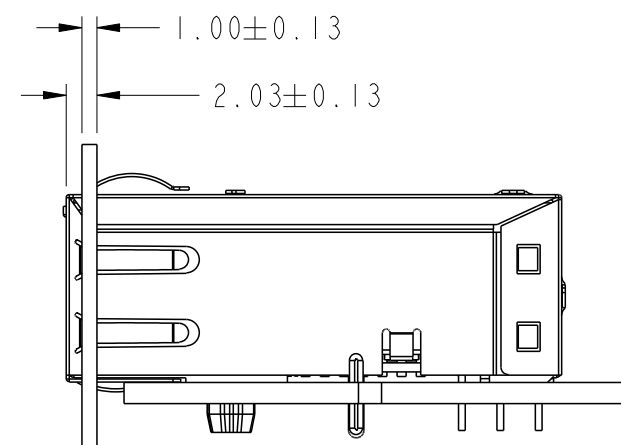
DATE CODE:YYWWD WHERE YY IS YEAR. WW IS WORK WEEK. D IS DAY OF WEEK, WITH SUNDAY=1.

7. DATUM AND BASIC DIMENSION ESTABLISHED BY CUSTOMER.

8. PART SHOULD BE RECOMMENDED FOR WAVE SOLDERING PROCESS, PEAK TEMPERATURE IS 260°C, 10 SECONDS MAX.

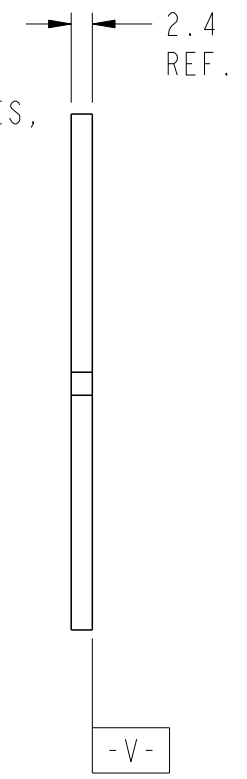
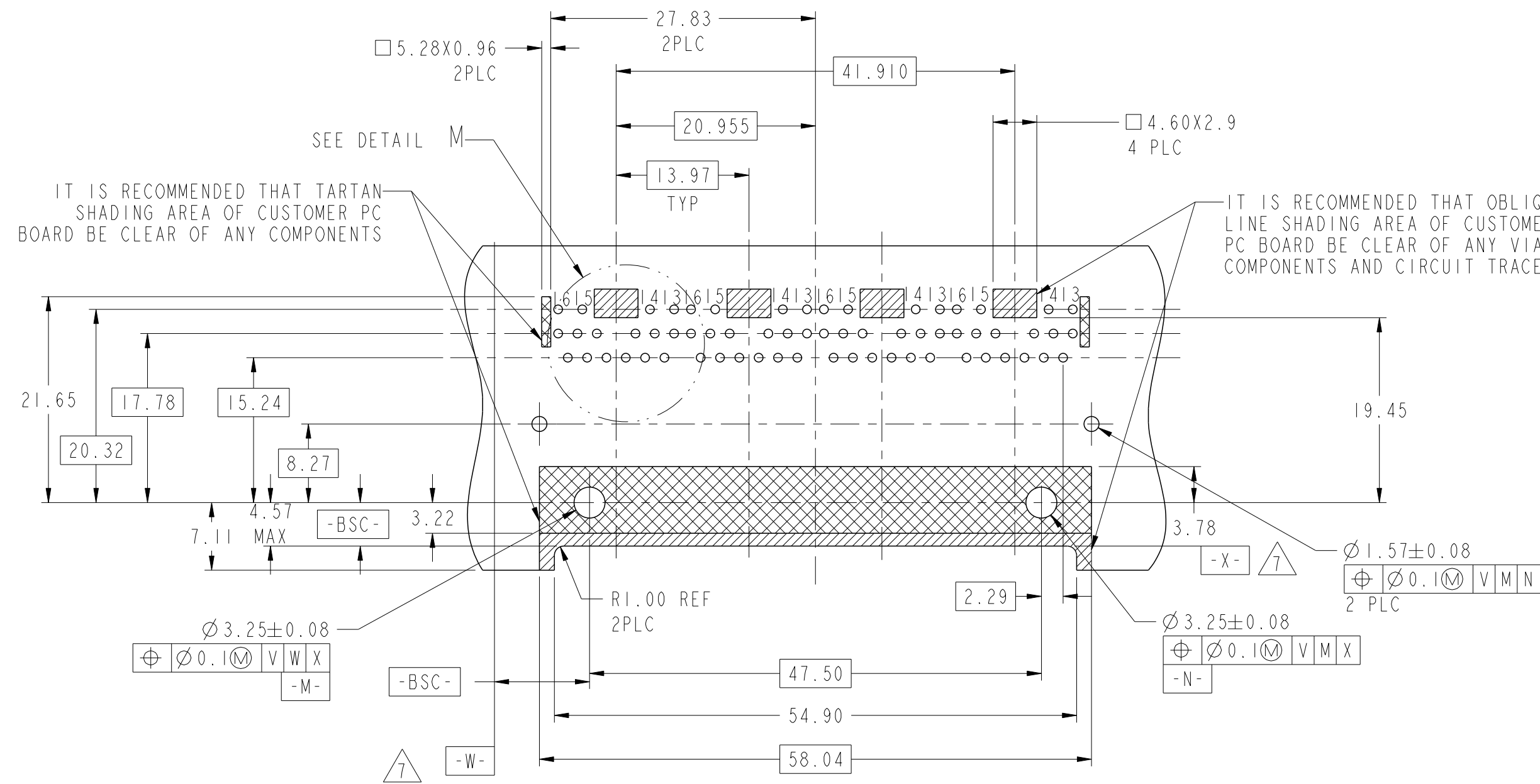


SUGGESTED PANEL CUTOUT

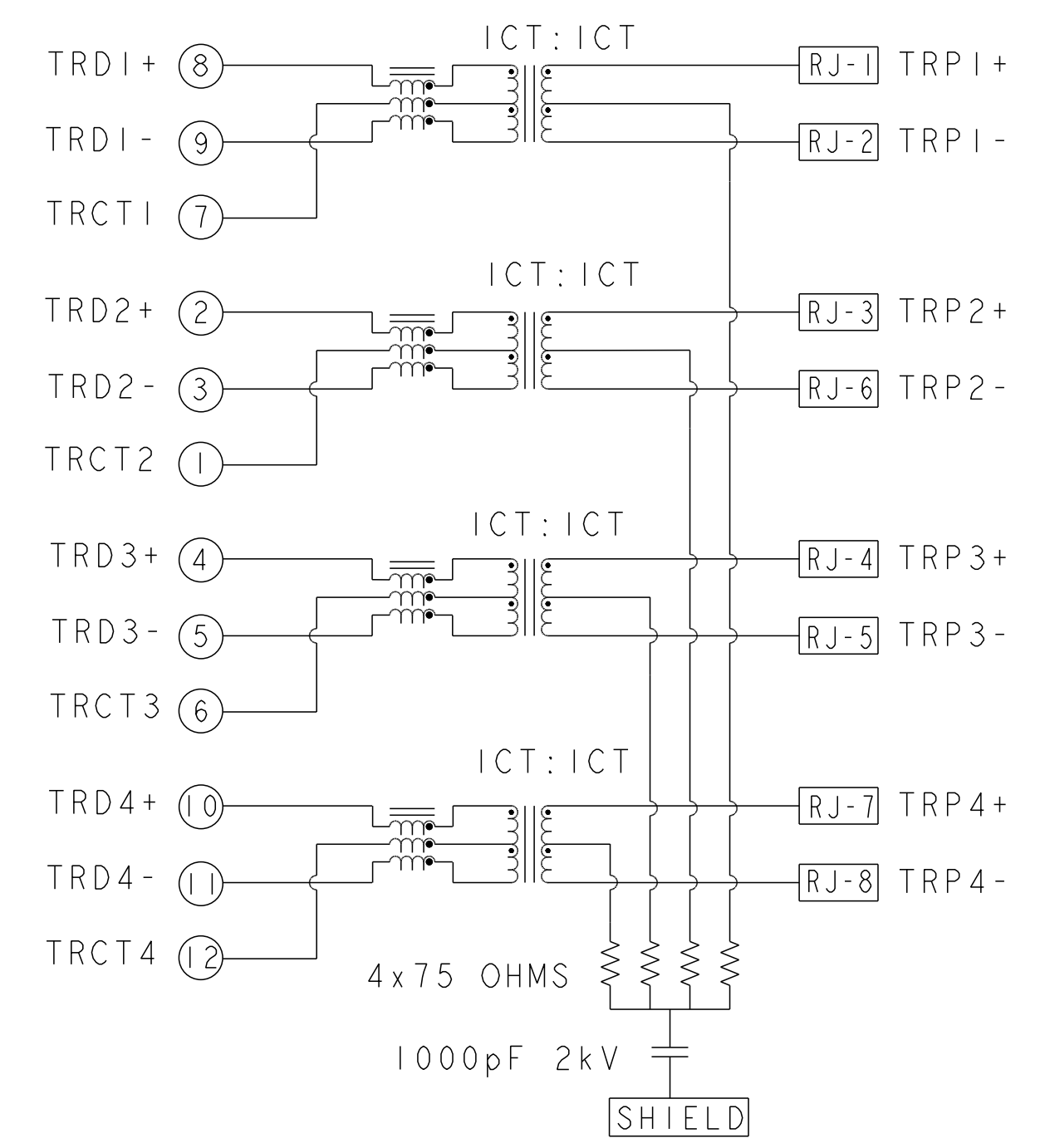


CONNECTOR ASSEMBLED TO PANEL AND PCB

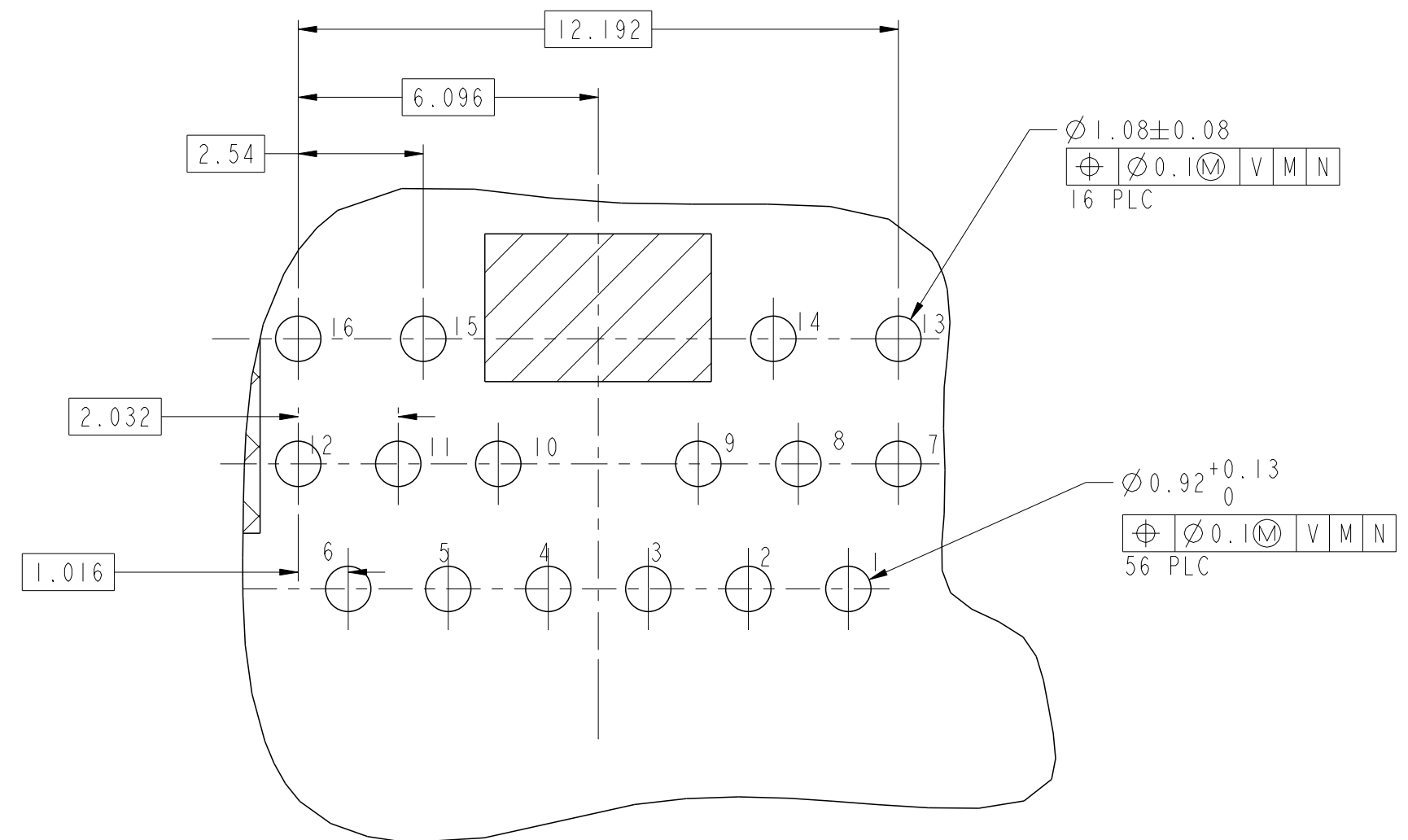
PBT	3.18	-	GREEN	-	GREEN	2250922-1
HOUSING MATERIAL	DIM A	(16) (15)	(16) (15)	(14) (13)	(14) (13)	PART NUMBER
		LED 2 (4)		LED 1 (4)		
THIS DRAWING IS A CONTROLLED DOCUMENT. AND COMPLIANT TO ASME Y14.5M		DWN 16JUL2024 JARRY YE / XENIA WANG		CHK 16JUL2024 TOWER YU / BILL LIU		<b>trp</b> CONNECTOR a bel group DONGGUAN CHINA
DIMENSIONS: mm		TOLERANCES UNLESS OTHERWISE SPECIFIED:		APVD 16JUL2024 TONY YUAN		
0 PLC ±0.25 1 PLC ±0.25 2 PLC ±0.25 3 PLC ±0.25 4 PLC ±0.25 ANGLES ±		MODEL NAME MAGJACK GANG NON-POE		DESC 1X4 1TG09 10G TAB UP W/LED		SIZE A2 CAGE CODE DRAWING NO C-2250922 RESTRICTED TO -
PRODUCT SPEC 108-104004		APPLICATION SPEC 114-13141		CUSTOMER DRAWING		




### ITG09 10GIGABIT CIRCUIT



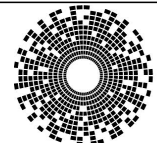
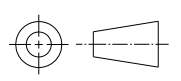
SUGGESTED PCB FOOTPRINT  
COMPONENT SIDE  
SCALE 2:1



DETAIL M  
SCALE 8:1

THIS DRAWING IS A CONTROLLED DOCUMENT. AND COMPLIANT TO ASME Y14.5M		DWN JARRY YE / XENIA WANG 16 JUL 2024	 DONGGUAN CHINA
DIMENSIONS: mm		CHK TOWER YU / BILL LIU 16 JUL 2024	
TOLERANCES UNLESS OTHERWISE SPECIFIED:		APVD TONY YUAN 16 JUL 2024	DESC 1X4 ITG09 10G TAB UP W/LED
0 PLC ±0.25 1 PLC ±0.25 2 PLC ±0.25 3 PLC ±0.25 4 PLC ±0.25 ANGLES ±° APPLICATION SPEC		MODEL NAME MAGJACK GANG NON-POE	SIZE A2
PRODUCT SPEC 108-104004	APPLICATION SPEC 114-13141	DRAWING NO C-2250922	
CUSTOMER DRAWING		SCALE NTS	SHEET 2 OF 3 REV 1

C_2250922						STOCK DISPOSITION			
						A:CONTINUE AS IS B:REWORK C:SCRAP		D:USE OLD FIRST E:PARTS TO CONFORM F:OTHER	
REVISION HISTORY									
DATE	REV	CHANGE	REASON	APPROVAL	INVENTORY (A,B,C,D,E,F)	WORK IN PROCESS (A,B,C,D)	SUPPLIER ORDERS (A,E,F)	OPEN CUST ORDERS (A,E,F)	
16JUL2024	I	-	INITIAL RELEASE	TONY YUAN	-	-	-	-	

THIS DRAWING IS A CONTROLLED DOCUMENT. AND COMPLIANT TO ASME Y14.5M		DWN JARRY YE / XENIA WANG 16 JUL 2024	 <b>trp</b> CONNECTOR a bel group DONGGUAN CHINA
DIMENSIONS: mm		CHK TOWER YU / BILL LIU 16 JUL 2024	
		APVD TONY YUAN 16 JUL 2024	
TOLERANCES UNLESS OTHERWISE SPECIFIED: 0 PLC ±0.25 1 PLC ±0.25 2 PLC ±0.25 3 PLC ±0.25 4 PLC ±0.25 ANGLES ±		MODEL NAME MAGJACK GANG NON-POE	DESC 1X4 ITG09 10G TAB UP W/LED
PRODUCT SPEC 108-104004	APPLICATION SPEC 114-13141	SIZE A2	CAGE CODE C-2250922
CUSTOMER DRAWING		SCALE NTS	SHEET 3 OF 3 REV 1