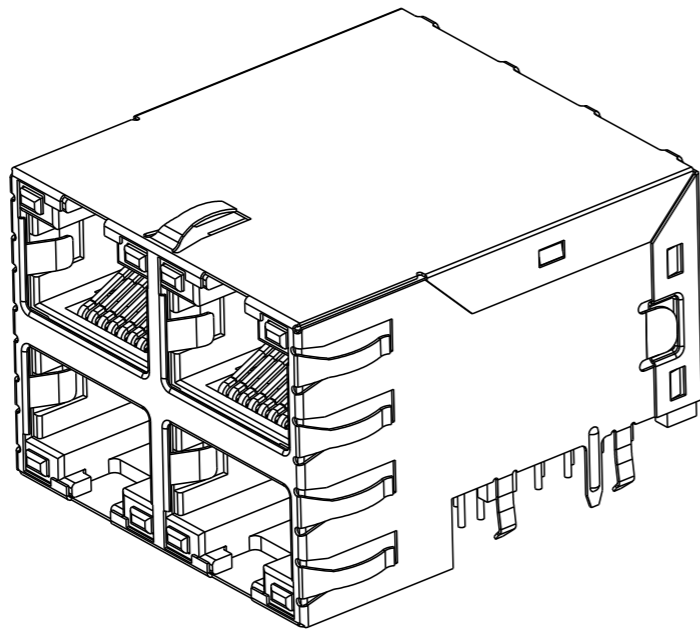
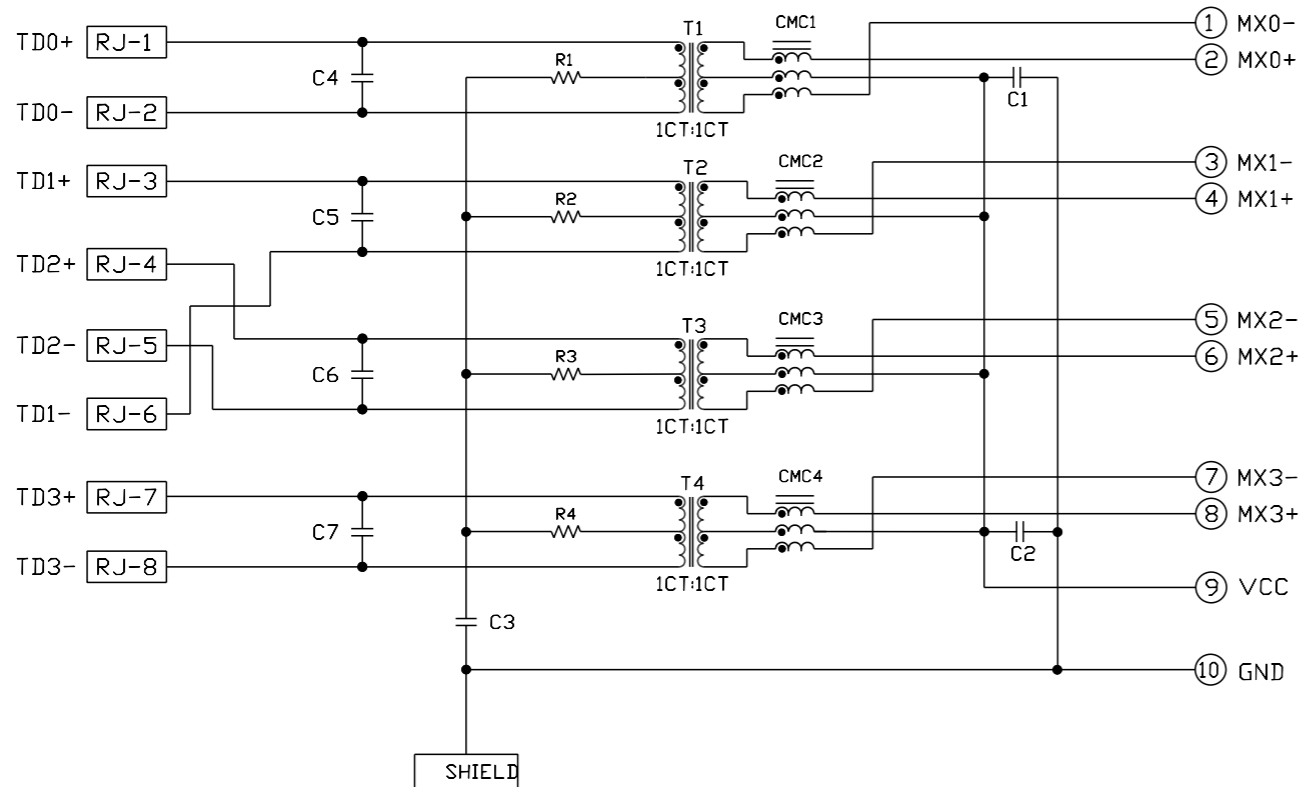


REVISIONS				
#	LT#	DESCRIPTION	DATE	OWN APVD
1		INITIAL RELEASE	28DEC2020	QL TY
A		EC-2209009	21SEP2022	QL TY



S8QT01C 2.5G CIRCUIT

TOP AND BOTTOM PORTS



C1-C2 =10nF, 50V, X7R,CAPACITORS
 C3 =1000pF, 2kV, CAPACITOR
 C4-C7 =1pF, 25V, X7R, CAPACITORS
 R1-R4 =75 Ohms,1/16W,RESISTORS

- 1 MATERIALS:
- HOUSING: THERMOPLASTIC, BLACK, FLAMMABILITY RATING UL 94V-0.
 - SHIELD: BRASS, PREPLATED WITH 0.76um MIN SEMI-BRIGHT NICKEL, POST DIPPED WITH 2.54um MIN SAC SOLDER ON SOLDER TAILS.
 - CONTACTS: PHOSPHOR BRONZE, PLATED WITH 1.27um MIN OVERALL NICKEL UNDERPLATE, SELECTIVE 1.27um MIN GOLD AT MATING INTERFACE AND 4.00um MIN MATTE TIN ON SOLDER TAILS.

- MAGNETICS
- APPLICATION: 2.5G BASE-T
 IMPEDANCE: 100 OHMS
 TURNS RATIO (CHIP:CABLE): 1:1 ALL FOUR PAIRS
 OPEN CIRCUIT INDUCTANCE (OCL):
 ALL CHANNELS 180uH MIN @ 100KHz, 0.1 VRMS WITH 8mA DC BIAS FROM 0°C TO 70°C,
 ALL FOUR PAIRS BI-DIRECTIONAL
 PERFORMANCE @ 25°C:
 RETURN LOSS (RL): 16dB MIN FROM 1MHz TO 40MHz,
 16-10 LOG10 (f/40)dB MIN FROM 40MHz TO 125MHz.
 ISOLATION VOLTAGE: 2250VDC(MAX) FOR 60 SECONDS WITH A RISE TIME OF 500V/SEC AND WITH ALL PORTS CONNECTED.

- PART NUMBER, DATE CODE AND COUNTRY OF ORIGIN ARE LOCATED IN THE APPROXIMATE AREA SHOWN. DATE CODE YY IS YEAR, WW IS WORK WEEK, D IS DAY OF WEEK, WITH SUNDAY=1

- TRP LOGO AND AGENCY APPROVAL LOGO ARE LOCATED IN THE APPROXIMATE AREA SHOWN.

- RJ45 CAVITIES CONFORM TO FCC RULES AND REGULATION PART 68 SUBPART F.

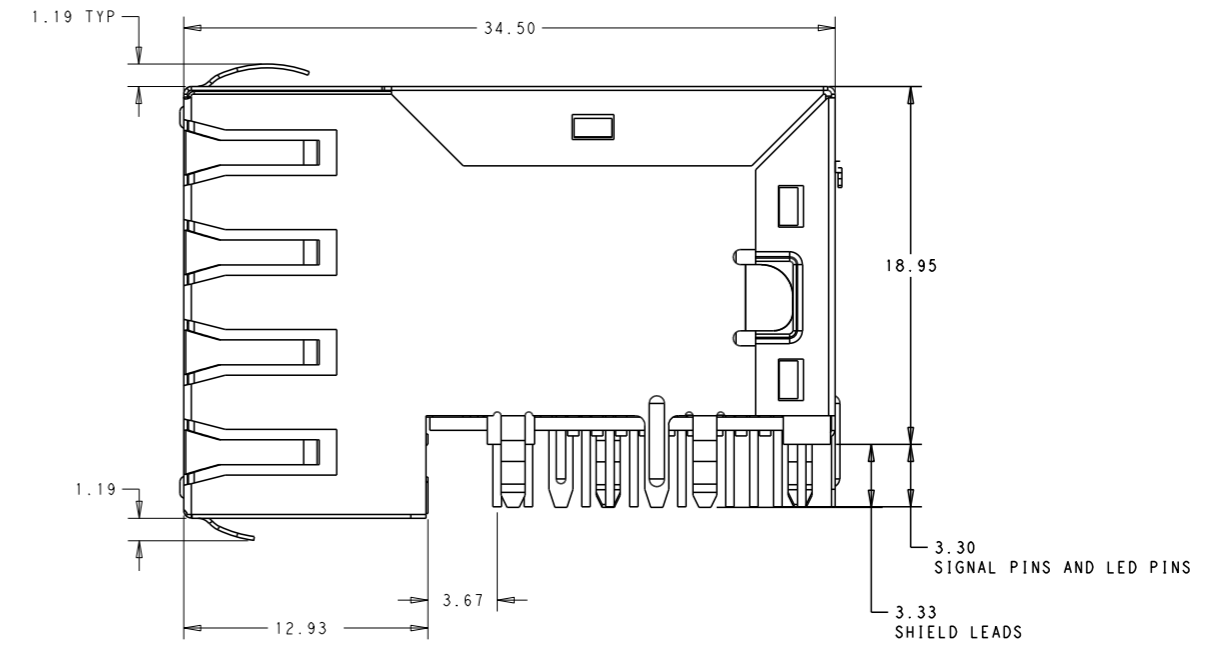
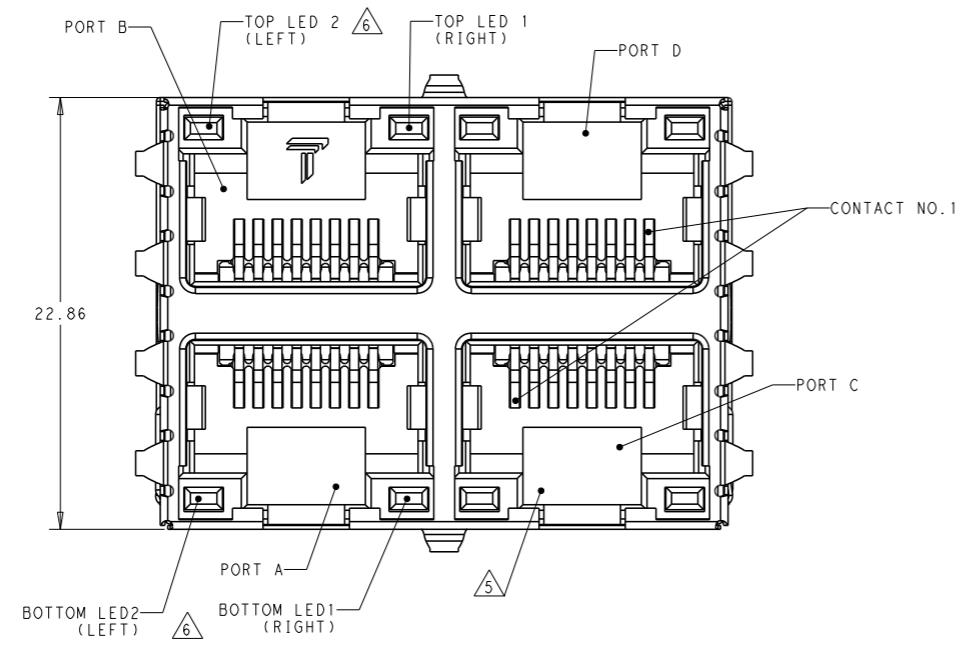
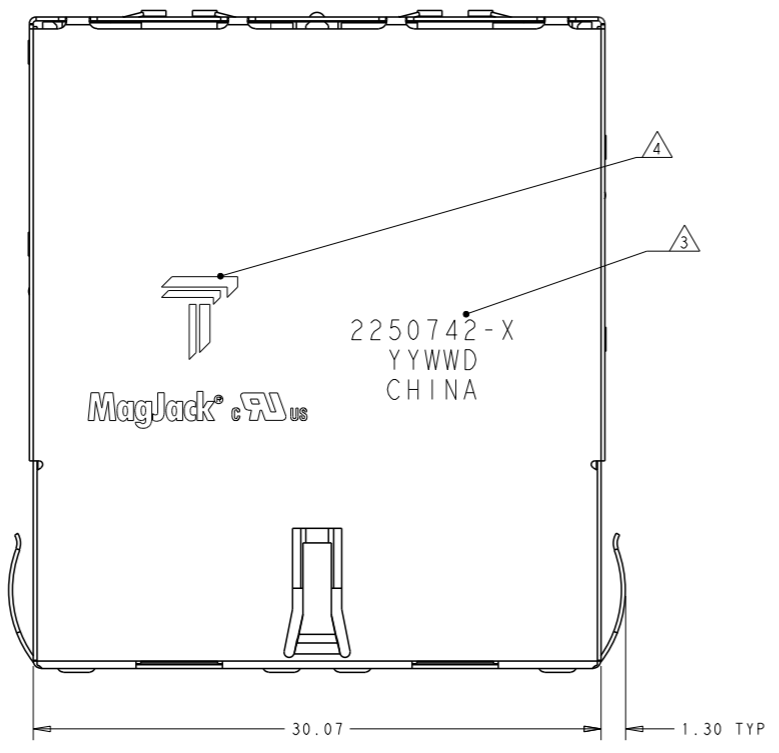
- LEDS ARE DRIVEN WITH CONSTANT CURRENT AT APPROX. 20mA.
 DOMINANT WAVELENGTH (λD)
 GREEN, 568nm TYP AT IF=20mA
 YELLOW, 588nm TYP AT IF=20mA
 FORWARD VOLTAGE(VF)
 GREEN, 2.2V TYP AT IF=20mA
 YELLOW, 2.1V TYP AT IF=20mA

- INDICATED MAGNETIC CONNECTIONS ARE SYMMETRICAL AND SUPPORT AUTO-MDI/MDIX.

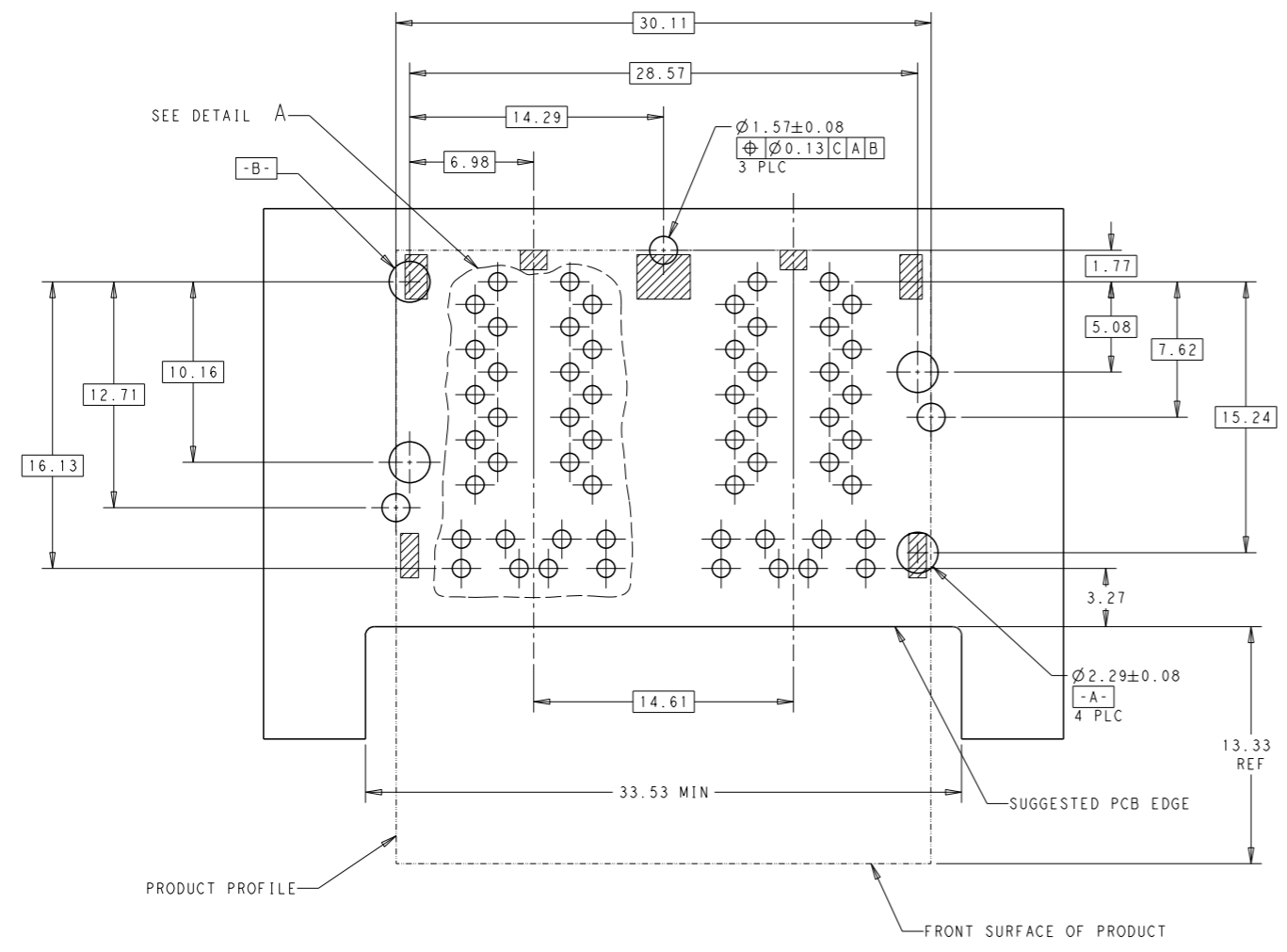
- 8 OPERATING TEMPERATURE: FROM 0 °C TO 70 °C

- 9 THE PART IS RECOMMENDED FOR WAVE SOLDERING PROCESS, PEAK TEMPERATURE 260°C MAX, 10 SECONDS MAX.

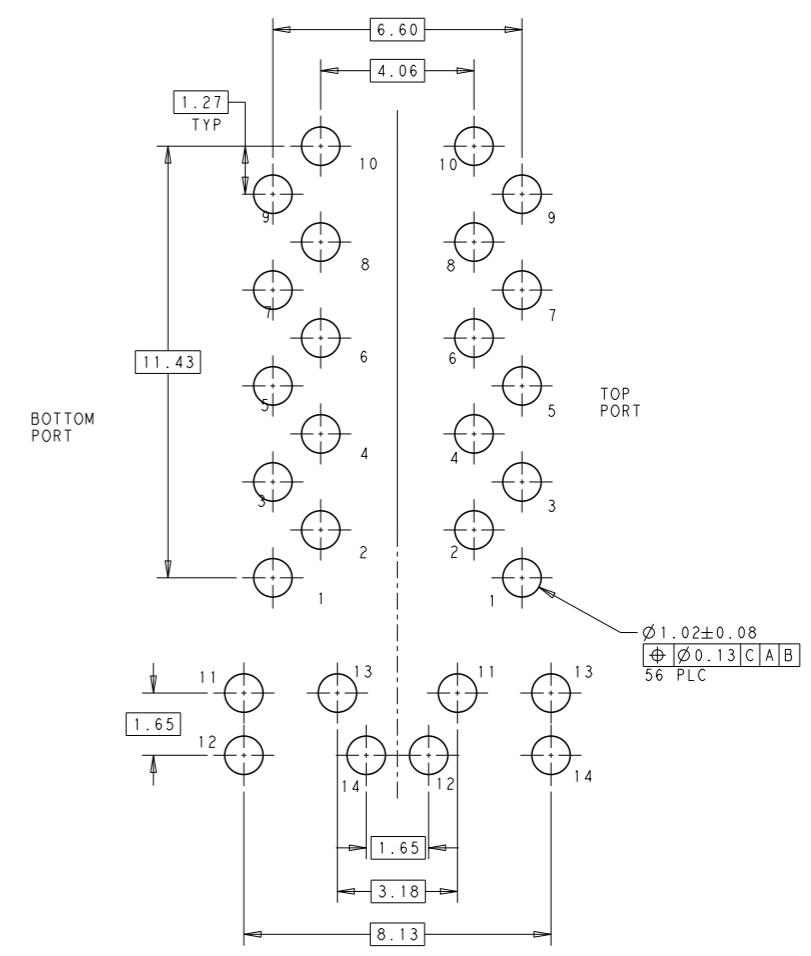
GREEN/YELLOW	GREEN/YELLOW	GREEN/YELLOW	GREEN/YELLOW	2250742-1
BOTTOM LED 2(LEFT)	BOTTOM LED 1(RIGHT)	TOP LED 2(LEFT)	TOP LED 1(RIGHT)	PART NUMBER
THIS DRAWING IS A CONTROLLED DOCUMENT. AND COMPLIANT TO ASME Y14.5M				
DIMENSIONS: mm		TOLERANCES UNLESS OTHERWISE SPECIFIED: 0 PLC ±0.25 1 PLC ±0.25 2 PLC ±0.25 3 PLC ±0.25 4 PLC ± ANGLES ±		
PRODUCT SPEC 108-104004		APPLICATION SPEC -		
DWN QUENTIN LIU/FERRY LIN 28DEC2020		28DEC2020		
CHK TOWER YU/ BILL LIU 28DEC2020		28DEC2020		
APVD TONY YUAN		28DEC2020		
MODEL NAME MAGJACK		DESC 2X2 S8QT01C 2.5G CIRCUIT, OFFSET, WITH LED		
CUSTOMER DRAWING		RESTRICTED TO		
SCALE NTS		SHEET 1 OF 4 REV A		



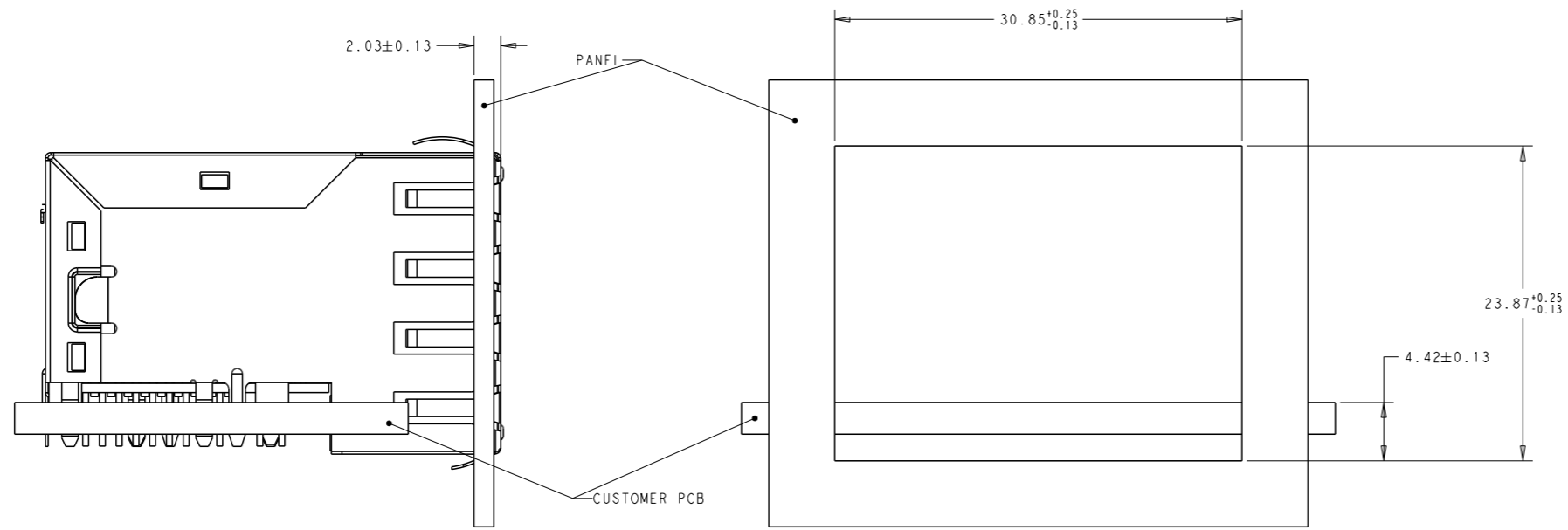
THIS DRAWING IS A CONTROLLED DOCUMENT. AND COMPLIANT TO ASME Y14.5M		DWN: QUENTIN LIU/28DEC2020 CHK: TOWER YU/BILL LIU/28DEC2020 APP'D: TONY YUAN/28DEC2020	trp CONNECTOR DONGGUAN CHINA
DIMENSIONS: mm TOLERANCES UNLESS OTHERWISE SPECIFIED: 0 PLC ±0.25 1 PLC ±0.25 2 PLC ±0.25 3 PLC ± 4 PLC ± ANGLES ±		MODEL NAME: MAGJACK DESC: 2X2 S80T01C 2.5G CIRCUIT, OFFSET, WITH LED	
PRODUCT SPEC: 108-104004	APPLICATION SPEC: -	SIZE: A1 CAGE CODE: - DRAWING NO: C=2250742 CUSTOMER DRAWING	RESTRICTED TO: - SCALE: NTS SHEET: 2 OF 4 REV: A



RECOMMENDED PC BOARD LAYOUT VIEW FROM COMPONENT SIDE

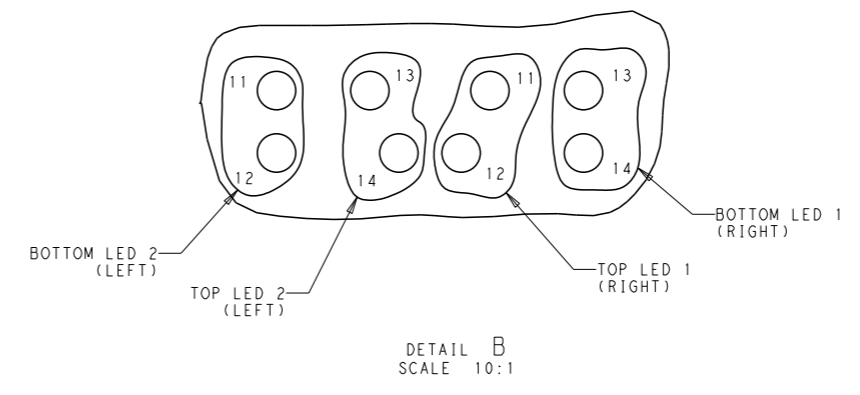
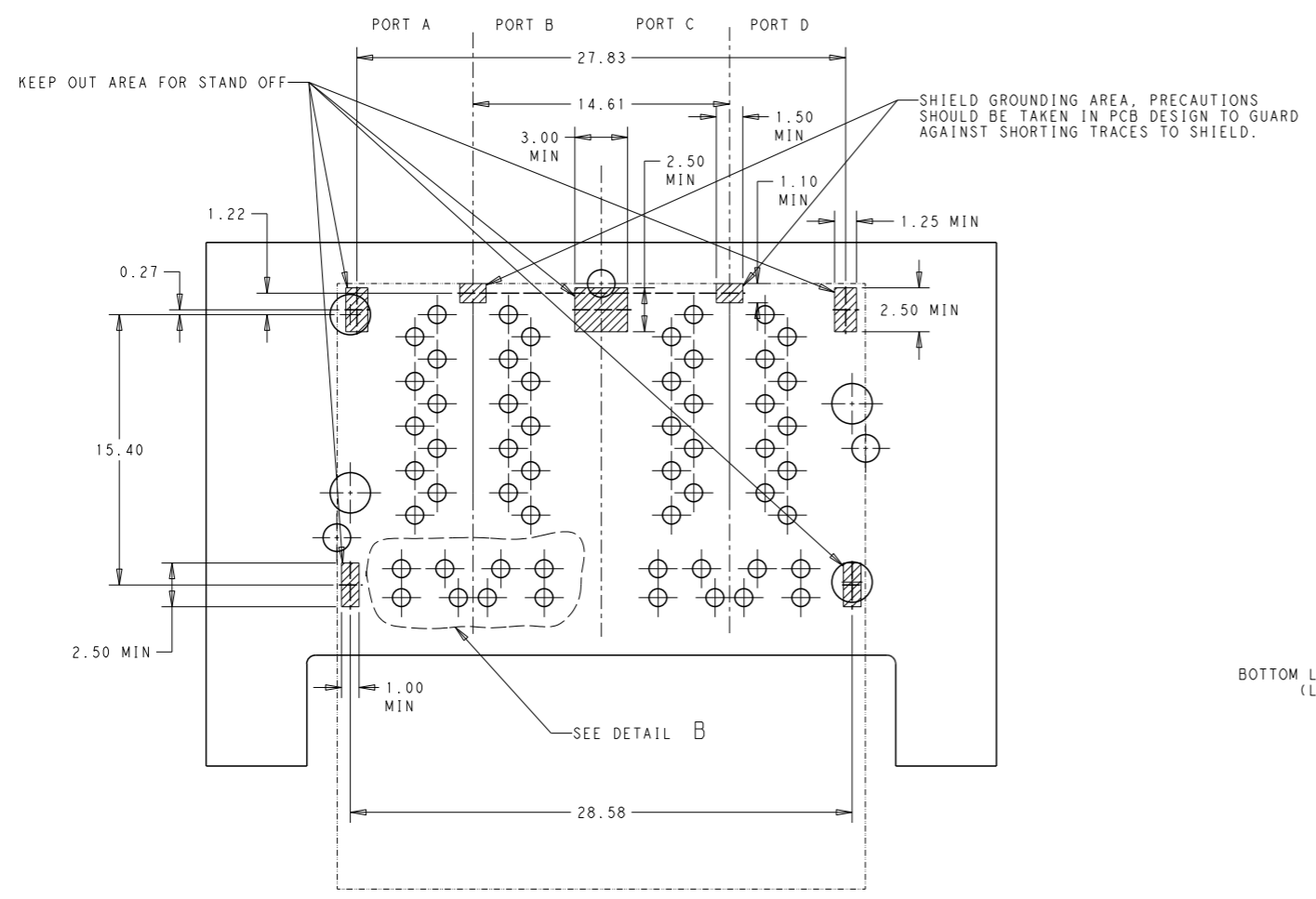


DETAIL A SCALE 10:1



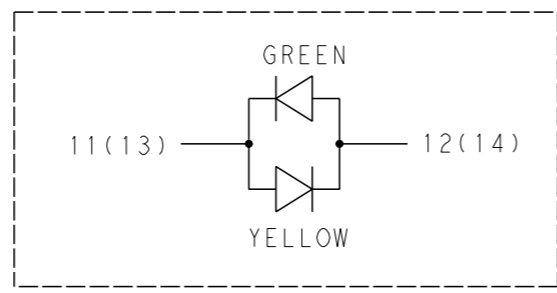
RECOMMENDED PANEL CUT-OUT

THIS DRAWING IS A CONTROLLED DOCUMENT. AND COMPLIANT TO ASME Y14.5M		DWN: QUENTIN LIU/28DEC2020 CHK: TOWER YU/28DEC2020 APP'D: TONY YUAN/28DEC2020	DONGGUAN CHINA
DIMENSIONS: mm	TOLERANCES UNLESS OTHERWISE SPECIFIED:	MODEL NAME: MAGJACK	
	0 PLC ±0.25 1 PLC ±0.25 2 PLC ±0.25 3 PLC ± 4 PLC ± ANGLES ±	DESC: 2X2 S80T01C 2.5G CIRCUIT, OFFSET, WITH LED	RESTRICTED TO
PRODUCT SPEC: 108-104004	APPLICATION SPEC: -	SIZE: A1	CAGE CODE: 2250742
CUSTOMER DRAWING		SCALE: NTS	SHEET 3 OF 4 REV A



KEEP OUT AREA & LED HOLE DESIGNATIONS & PORT ASSIGNMENT
 VIEW FROM COMPONENT SIDE

TOLERANCE: ±0.08mm



THIS DRAWING IS A CONTROLLED DOCUMENT. AND COMPLIANT TO ASME Y14.5M		DWN: 28DEC2020 CHK: QUENTIN LIU/FERRY LIN TOWER YU/ BILL LIU APVD: TONY YUAN 28DEC2020		DONGGUAN CHINA	
DIMENSIONS: mm		TOLERANCES UNLESS OTHERWISE SPECIFIED:		MODEL NAME	
		0 PLC ±0.25 1 PLC ±0.25 2 PLC ±0.25 3 PLC ± 4 PLC ± ANGLES ±		MAGJACK	
PRODUCT SPEC		APPLICATION SPEC		DESC	
108-104004		-		2X2 S80T01C 2.5G CIRCUIT, OFFSET, WITH LED	
CUSTOMER DRAWING				RESTRICTED TO	
				SCALE NTS SHEET 4 OF 4 REV A	