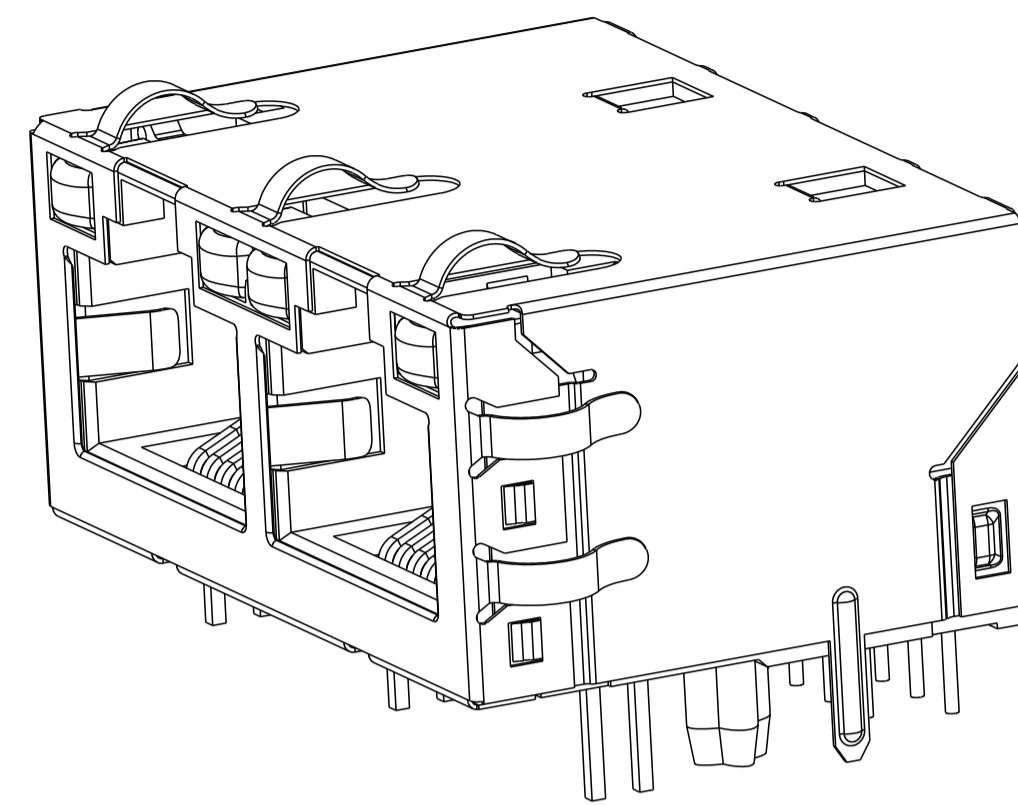
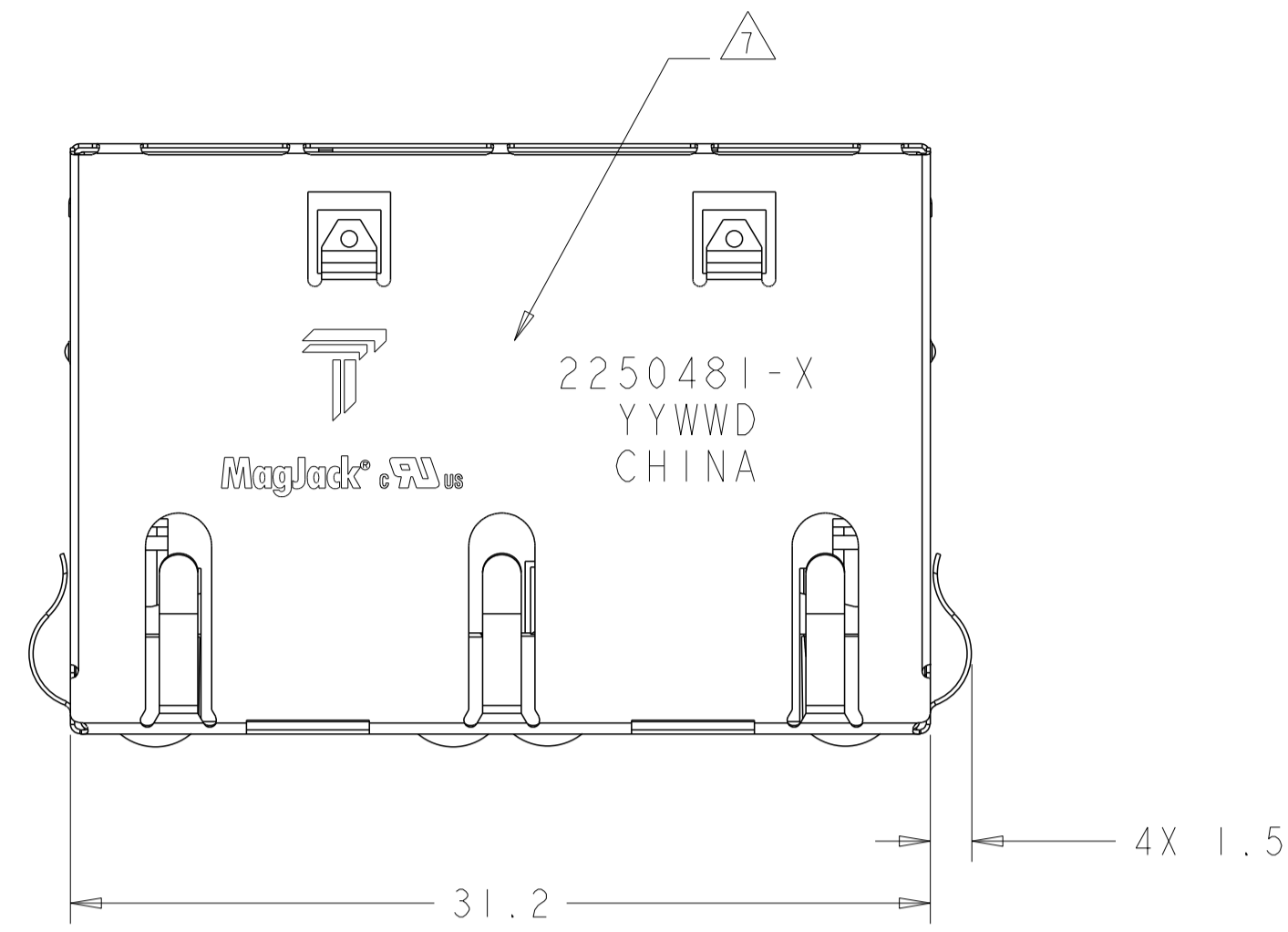


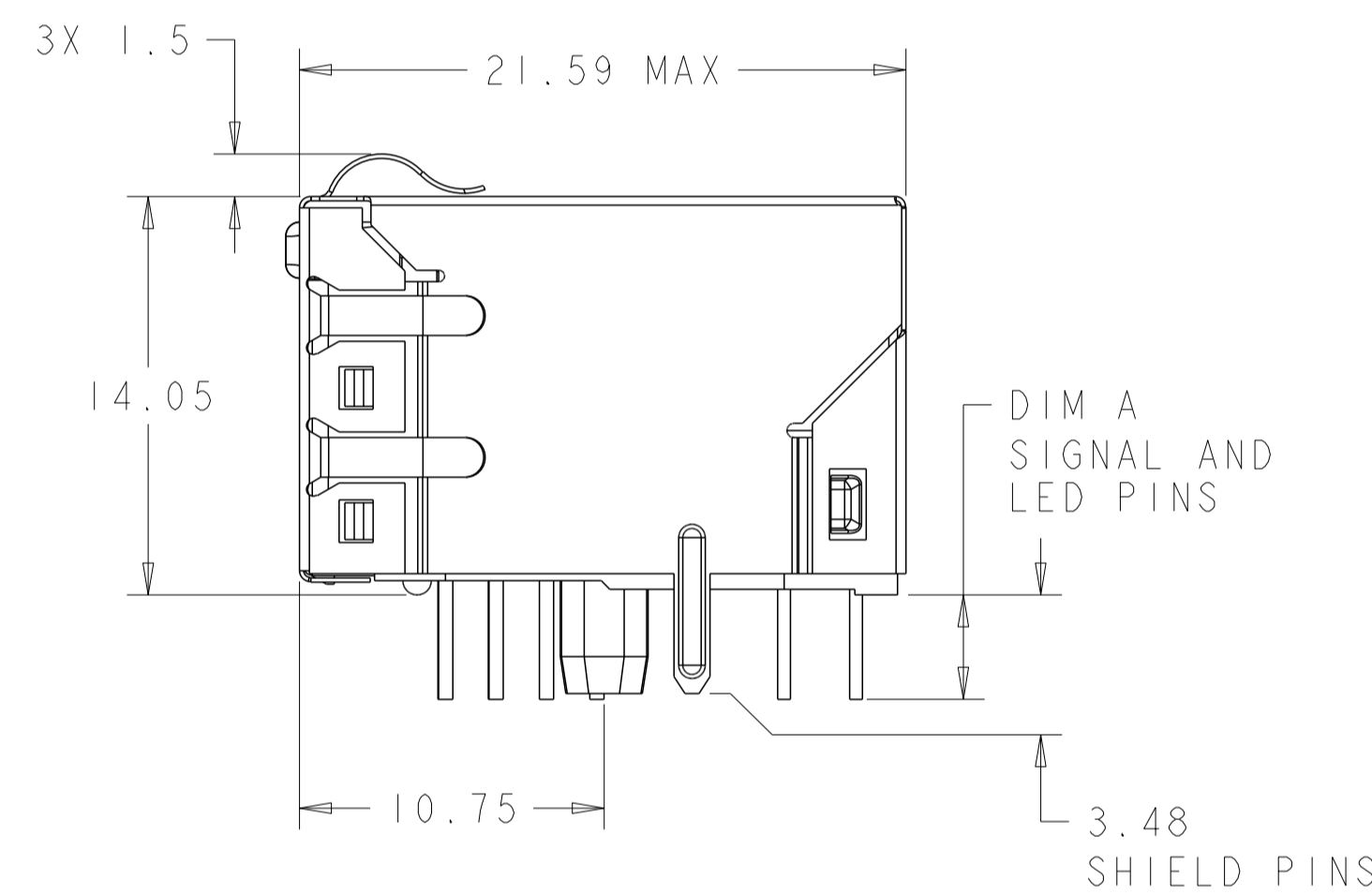
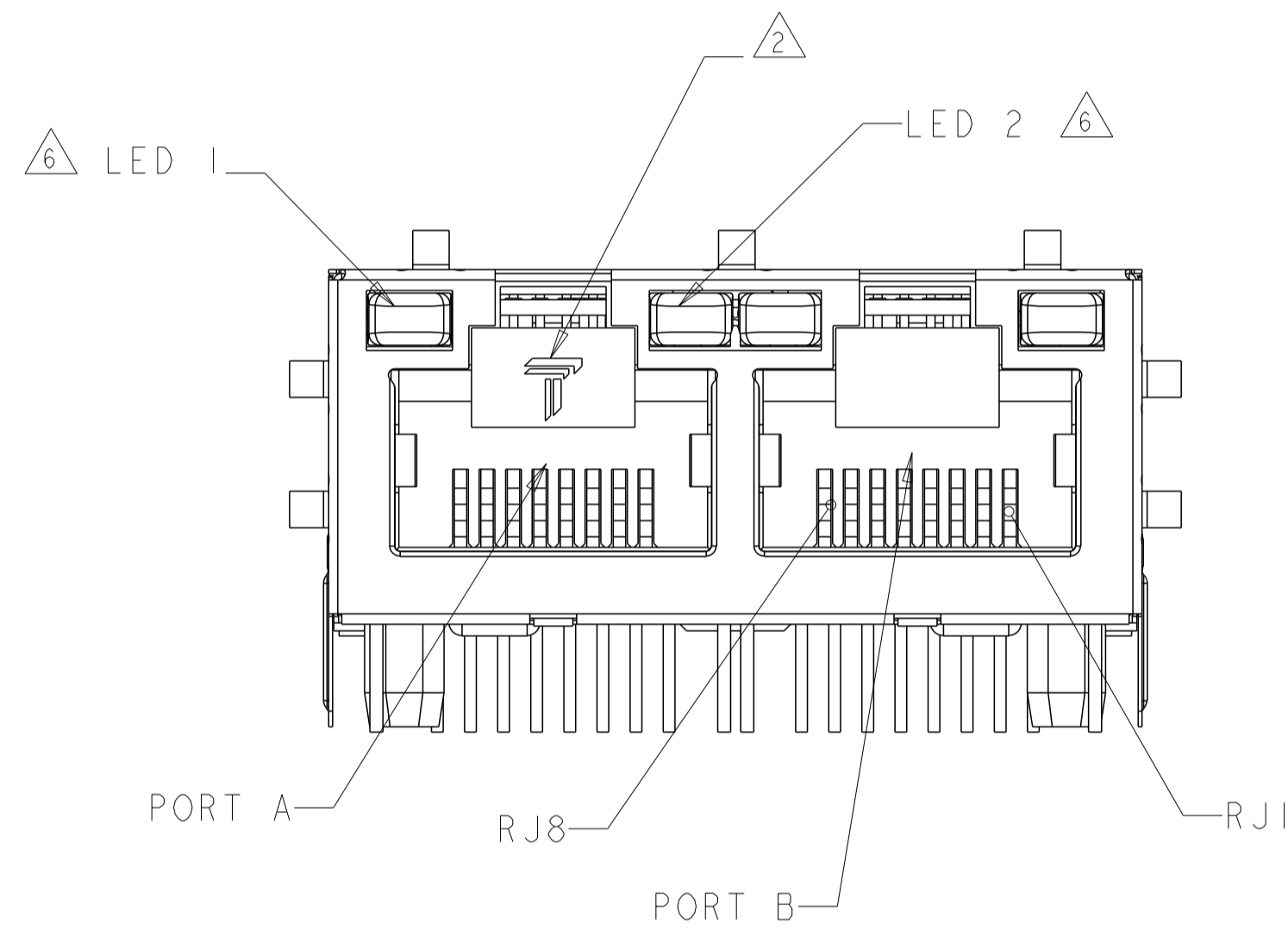
THIS DRAWING AND THE SUBJECT MATTER SHOWN THEREON ARE CONFIDENTIAL AND THE PROPERTY OF BEL/STEWART/TRP CONNECTOR AND SHALL NOT BE REPRODUCED, COPIED, OR USED IN ANY MANNER WITHOUT THE WRITTEN CONSENT OF TRP CONNECTOR.

PRODUCT MAY BE PROTECTED BY ONE OR MORE OF THE FOLLOWING US PATENTS:  
 5736910 5939955 6425781 6428361 6554638 6840817 7123117  
 7429195 7717749 7808751 6217391 6149050 7924130

REVISIONS				
#	DATE	DESCRIPTION	DATE	APPV
3	19JUL2023	SEE LAST SHEET	JY	TY



2250481-1 3D VIEW



1. MATERIALS

- HOUSING: THERMOPLASTIC, FLAMMABILITY RATING UL 94V-0.
- SHIELD: STAINLESS STEEL 0.15mm THICK, PREPLATED WITH 0.76 um MIN SEMI-BRIGHT NICKEL; SOLDER TABS POST PREPLATED WITH 3um TIN.
- CONTACTS: PHOSPHOR BRONZE 0.46mm X 0.30mm, PHOSPHOR BRONZE, 1.27um MIN NICKEL UNDERPLATE, WITH 1.27um MIN GOLD PLATING AT MATING INTERFACE AND 2.54um MIN MATTE TIN ON SOLDER TAILS.
- LIGHT EMITTING DIODE (LED): DIFFUSED EPOXY LENS, 0.5mm X 0.5mm CARBON STEEL WIREFRAME LEADS PREPLATED WITH 2.03um MIN. SILVER PLATE OVER 1.02um MIN. NICKEL OVER 1.02um MIN. COPPER UNDERPLATE; LEADS POST-PLATED WITH 3.05um MIN. MATTE TIN AND/OR SAC SOLDER DIP OR PURE TIN SOLDER DIP

△ RJ45 JACK CAVITY CONFORMS TO FCC RULES AND REGULATIONS PART 68 SUB PART F.

△ MAGNETICS

- APPLICATION: 10/100 BASE-T
- IMPEDANCE: 100 OHMS
- TURNS RATIO (CHIP:CABLE): TX = 1:1, RX = 1:1
- OPEN CIRCUIT INDUCTANCE (OCL): 350uH MIN @100kHz, 0.1VRMS, 8mADC BIAS FROM 0°C TO 70°C, TX AND RX
- PERFORMANCE @ 25°C:
  - INSERTION LOSS (IL): 1.1dB MAX FROM 0.5MHz TO 100MHz
  - RETURN LOSS (RL): 18dB MIN FROM 0.5MHz TO 30MHz
  - 18-20LOG(f/30)dB MIN FROM 30.1MHz TO 60MHz
  - 12dB MIN FROM 60.1MHz TO 80MHz
  - CROSSTALK ATTENUATION: 35dB MIN FROM 0.5MHz TO 40MHz
  - 33-20LOG(f/50)dB MIN FROM 40.1MHz TO 100MHz
  - COMMON MODE REJECTION RATIO (CMRR): 30dB MIN FROM 0.5MHz TO 100MHz
- ISOLATION VOLTAGE: 2250VDC (MAX) FOR 60 SECONDS WITH A RISE TIME OF 500V/SEC AND WITH ALL PORTS CONNECTED.

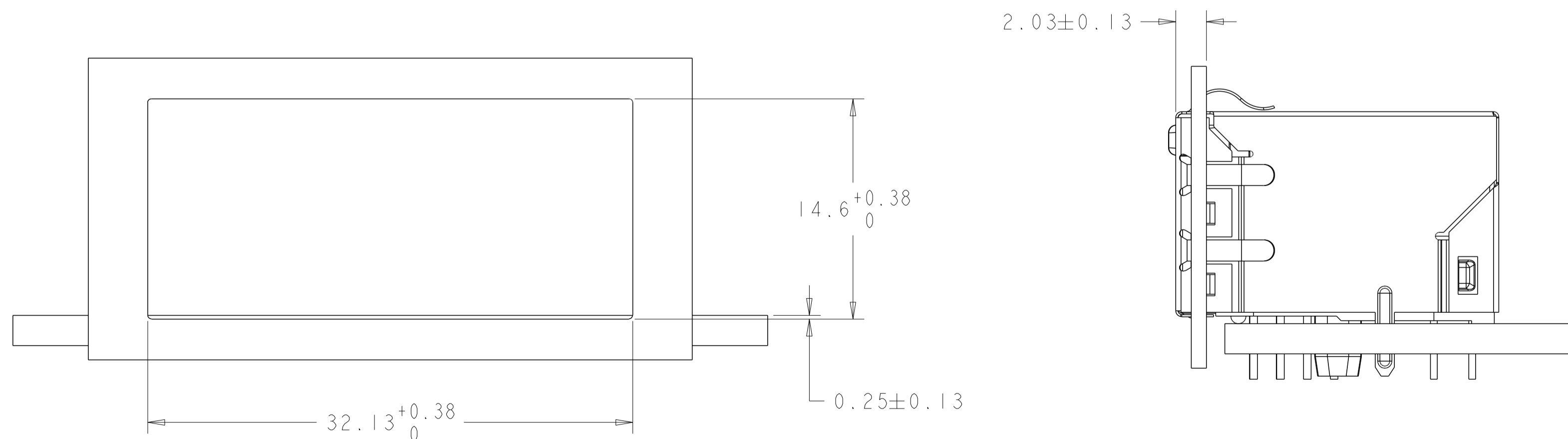
4. OPERATING TEMPERATURE: FROM 0°C TO 70°C.

△ INDICATED MAGNETIC CONNECTIONS ARE SYMMETRICAL TO SUPPORT AUTO-MDI/MDIX.

△ THE 250 OHM RESISTOR IS OPTIONAL, PLEASE SEE CHART FOR PRESENCE OF LED RESISTORS  
 IF LEADS WITHOUT 250 OHM RESISTOR, LEADS ARE DRIVEN WITH CONSTANT CURRENT AT APPROX 20mA  
 LED COLOR: DOMINATE WAVELENGTH (λD): GREEN 568 nm TYP @ IF=20mA  
 FORWARD VOLTAGE (VF): GREEN 2.2V TYP @ IF 20mA  
 DOMINATE WAVELENGTH (λD): YELLOW 588 nm TYP @ IF=20mA  
 FORWARD VOLTAGE (VF): YELLOW 2.1V TYP @ IF 20mA  
 IF LEADS WITH BUILT-IN 250 OHM RESISTOR, LEADS ARE DRIVEN WITH 5V VOLTAGE AND THE MAX OPERATING CURRENT IS 20mA  
 LED COLOR: DOMINATE WAVELENGTH (λD): GREEN 568 nm TYP @ VF=5V  
 FORWARD CURRENT (IF): GREEN 12mA TYP @ VF=5V  
 DOMINATE WAVELENGTH (λD): YELLOW 588 nm TYP @ VF=5V  
 FORWARD CURRENT (IF): YELLOW 13mA TYP @ VF=5V

△ TRP CONNECTOR LOGO, PART NUMBER, DATE CODE, COUNTRY OF ORIGIN AND AGENCY APPROVAL MARKING IN APPROXIMATE LOCATION SHOWN.

8. PART SHOULD BE RECOMMENDED FOR WAVE SOLDERING PROCESS,PREHEAT TEMPERATURE IS 120°C TO 160°C, 120 SECONDS TO 180 SECONDS, PEAK WAVE SOLDERING TEMPERATURE IS 260°C MAX,10 SECONDS MAX.

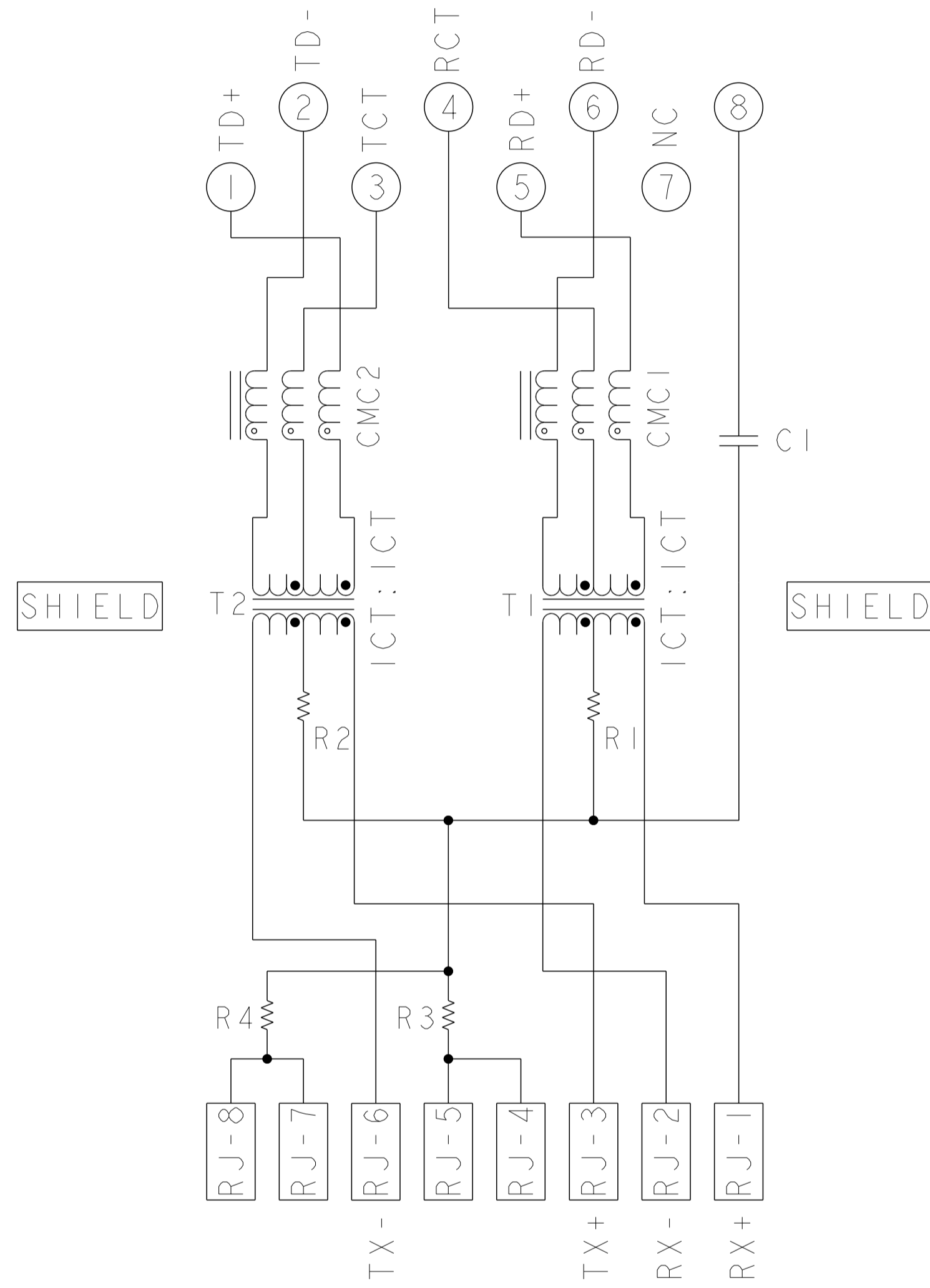


SUGGESTED PANEL CUTOUT

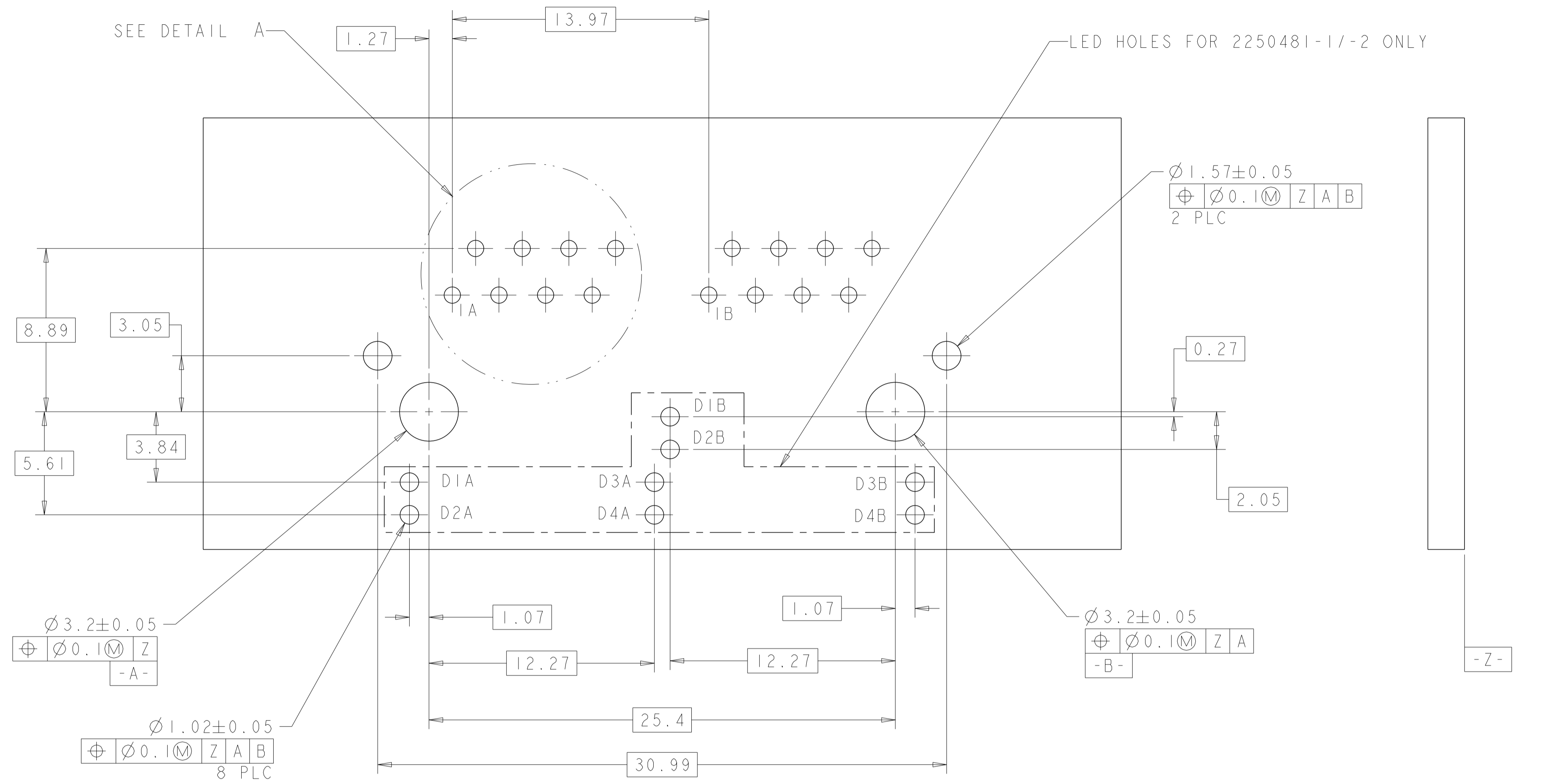
3.68	-	-	-	-	-	-	2250481-3
2.28	-	GREEN	YES	-	YELLOW	YES	2250481-2
3.68	-	GREEN	YES	-	YELLOW	YES	2250481-1
DIM A	D1-←-D2	D1-→-D2	LED 1 250 OHM RESISTORS	D3-←-D4	D3-→-D4	LED 2 250 OHM RESISTORS	PART NUMBER
	LED 1 △			LED 2 △			

THIS DRAWING IS A CONTROLLED DOCUMENT AND COMPLIANT TO ASME Y14.5M		OWN: TOWER YU / YI LIU 14DEC2016	<b>trp</b> CONNECTOR DONGGUAN CHINA a bel group
DIMENSIONS: mm		CHK: BILL LIU 15DEC2016	
TOLERANCES UNLESS OTHERWISE SPECIFIED:		APPV: TONY YUAN 15DEC2016	MODEL NAME: MAGJACK GANG NON-POE
0 PLC ±0.25 1 PLC ±0.25 2 PLC ±0.25 3 PLC ±0.25 4 PLC ±0.25 ANGLES ±° APPLICATION SPEC ±°		DESC: 1X2 7164 10/100 BASE-T TAB UP W/ LED	SIZE: A1
PRODUCT SPEC: 108-104004			SCALE: 4:1 SHEET 1 OF 3 REV 3

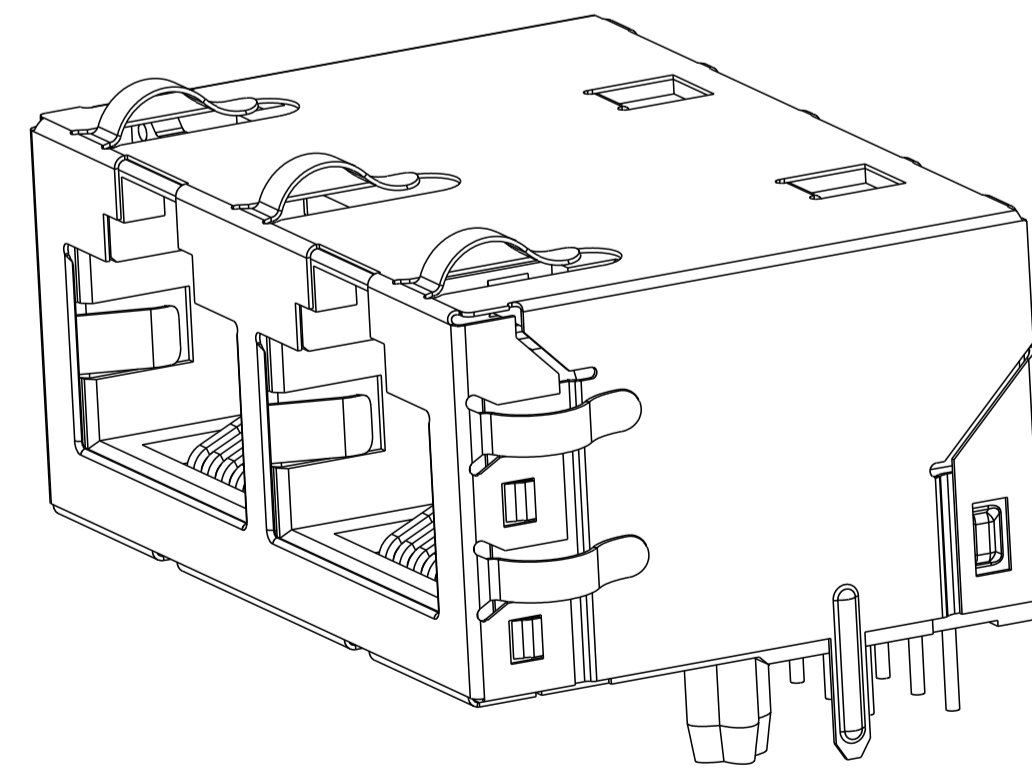
7164 10/100 BASE-T  $\Delta$



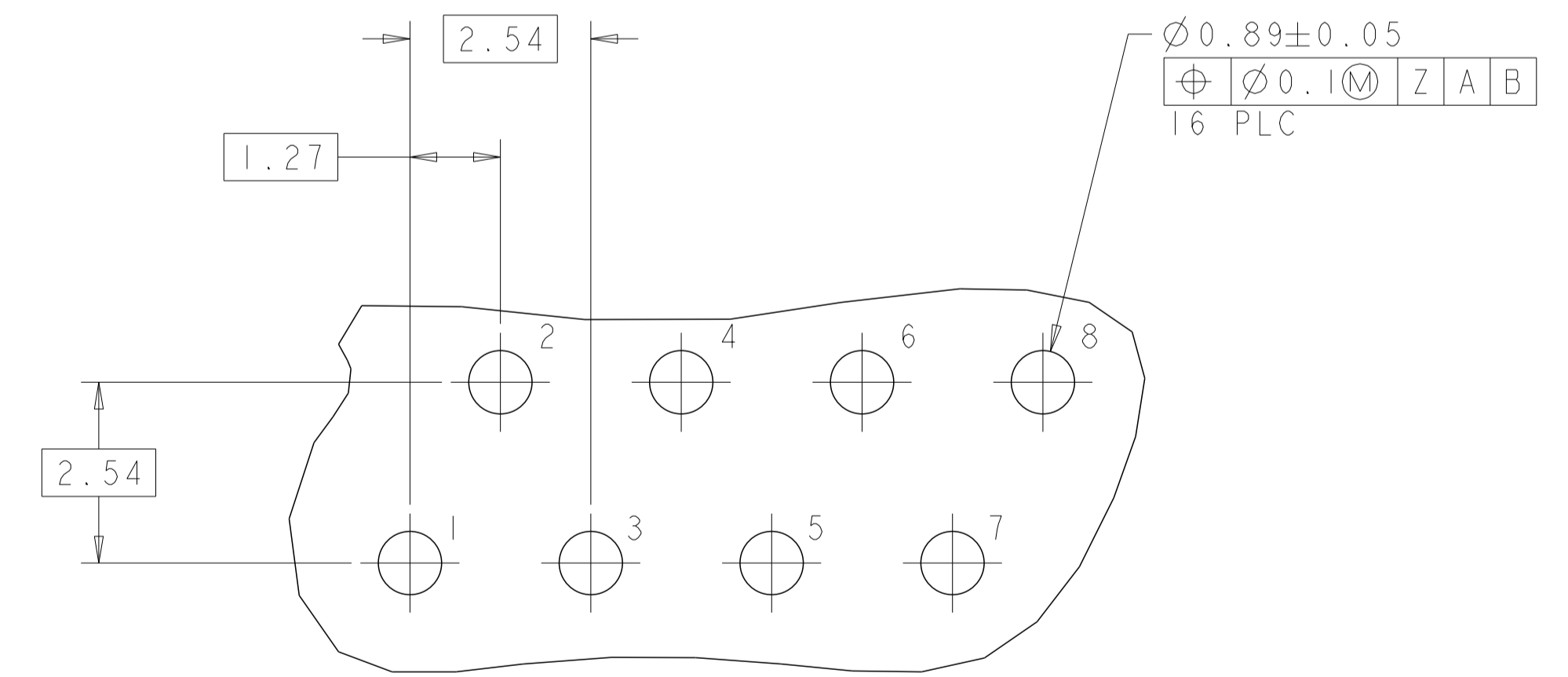
C1 = 1000pF, 2kV, CAPACITOR.  
R1 - R4 = 75 Ohms, 1/16 W, RESISTORS



SUGGESTED CUSTOMER PCB  
(COMPONENT SIDE)




2250481-3 3D VIEW



DETAIL A  
SCALE 12:1

THIS DRAWING IS A CONTROLLED DOCUMENT. AND COMPLIANT TO ASME Y14.5M		DWN: TOWER YU / YI LIU 15DEC2016 CHN: BILL LIU 15DEC2016 APVD: TONY YUAN 15DEC2016	DONGGUAN CHINA
DIMENSIONS: mm 	TOLERANCES UNLESS OTHERWISE SPECIFIED: 0 PLC ±0.25 1 PLC ±0.25 2 PLC ±0.25 3 PLC ±0.25 4 PLC ±0.25 ANGLES ±° APPLICATION SPEC ±°	MODEL NAME: MAGJACK GANG NON-POE DESC: 1X2 7164 10/100 BASE-T TAB UP W/ LED SIZE: A1 CAGE CODE: C=2250481 DRAWING NO: 108-104004	

C_2250481					STOCK DISPOSITION			
REVISION HISTORY					A: CONTINUE AS IS	D: USE OLD FIRST		
DATE	REV	CHANGES	REASON	APPROVAL	B: REWORK	E: PARTS TO CONFORM		
					C: SCRAP	F: OTHER		
DATE	REV	CHANGES	REASON	APPROVAL	INVENTORY (A,B,C,D,E,F)	WORK IN PROCESS (A,B,C,F)	SUPPLIER ORDERS (A,E,F)	OPEN CUST ORDERS (A,E,F)
15DEC2016	1	INITIAL RELEASE	-	TONY YUAN	-	-	-	-
20APR2021	2	SHEET 1, D7: CHANGE MARKING FROM Mag45 to MagJack	DRAWING CLARIFICATION	TONY YUAN	-	-	-	-
19JUL2023	3	ADDED DASH NUMBER 2250481-2 & 2250481-3	MARKET REQUIREMENT	TONY YUAN	-	-	-	-

THIS DRAWING IS A CONTROLLED DOCUMENT. AND COMPLIANT TO ASME Y14.5M		OWN TOWER YU / YI LIU 15DEC2016	 <b>trp</b> CONNECTOR DONGGUAN CHINA
DIMENSIONS: mm		CHK BILL LIU 15DEC2016	
DIMENSIONS: mm TOLERANCES UNLESS OTHERWISE SPECIFIED: 0 PLC ±0.25 1 PLC ±0.25 2 PLC ±0.25 3 PLC ± 4 PLC ± ANGLES ± APPLICATION SPEC ±		APVD TONY YUAN 15DEC2016	MODEL NAME MAGJACK GANG NON-POE CUSTOMER DRAWING
PRODUCT SPEC 108-104004		DESC IX2 7164 10/100 BASE-T TAB UP W/ LED SIZE CAGE CODE DRAWING NO RESTRICTED TO A1 C=2250481 - SCALE 4:1 SHEET 3 OF 3 REV 3	