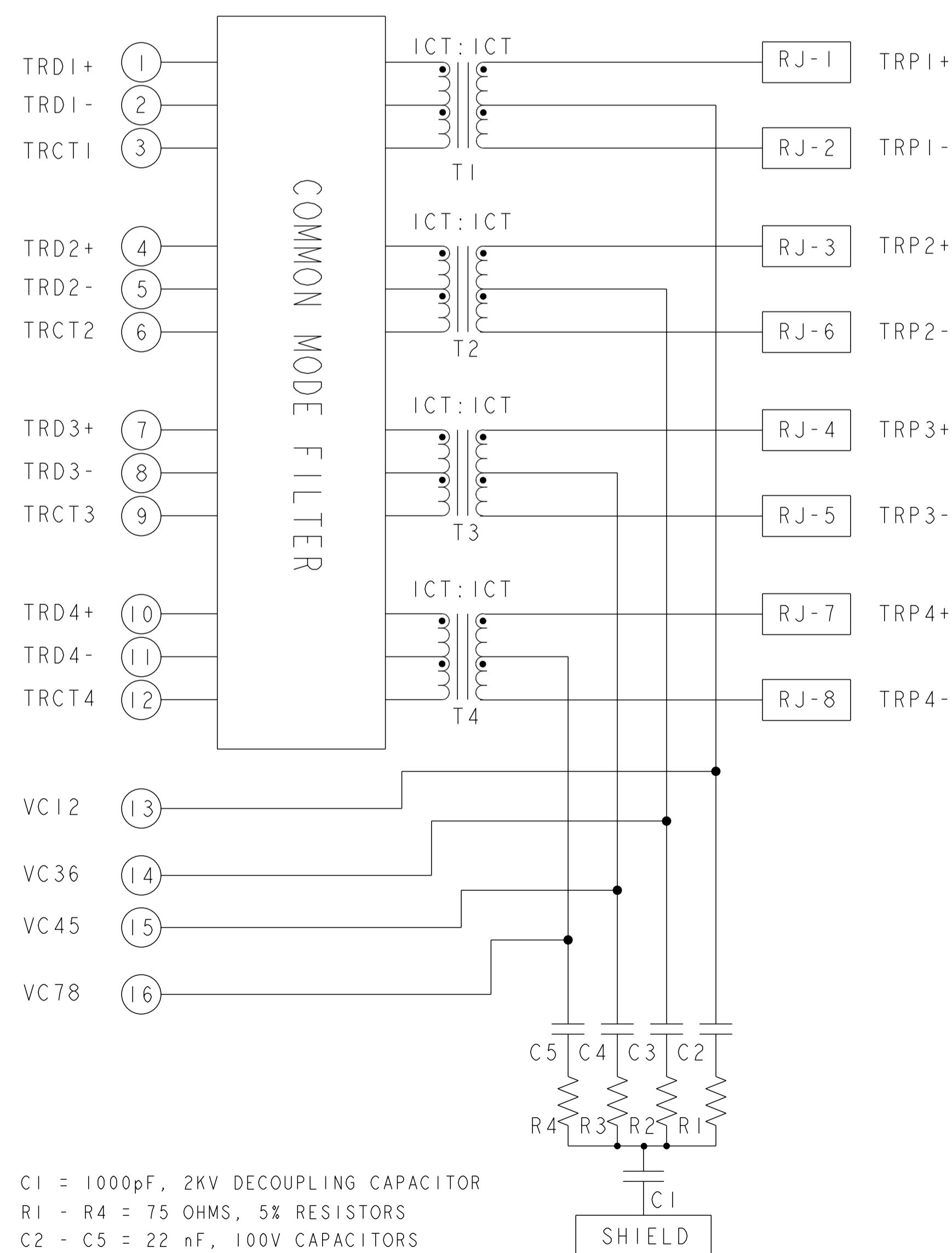


S9HTG08ET 10G 4PPoE CIRCUIT

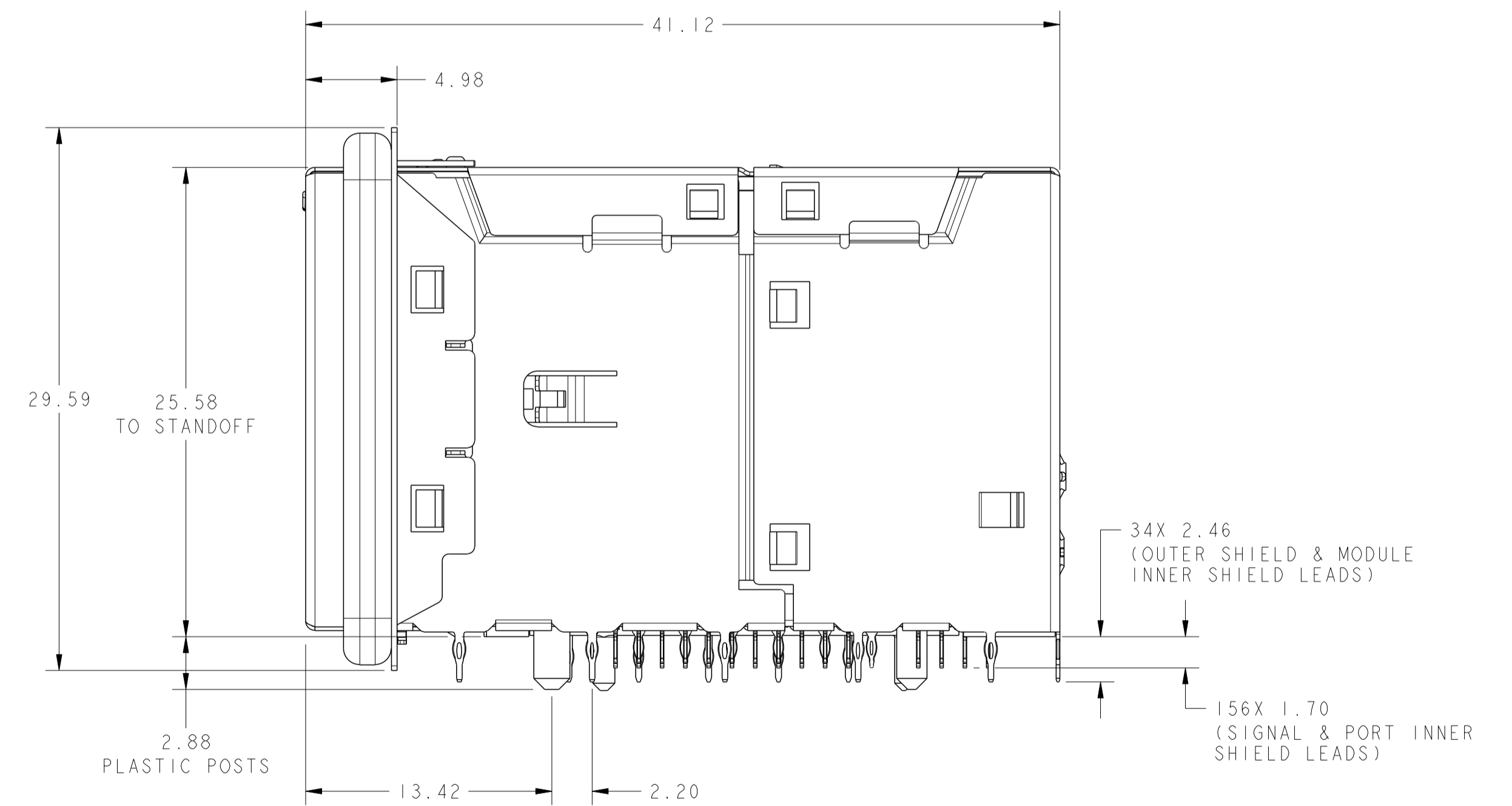
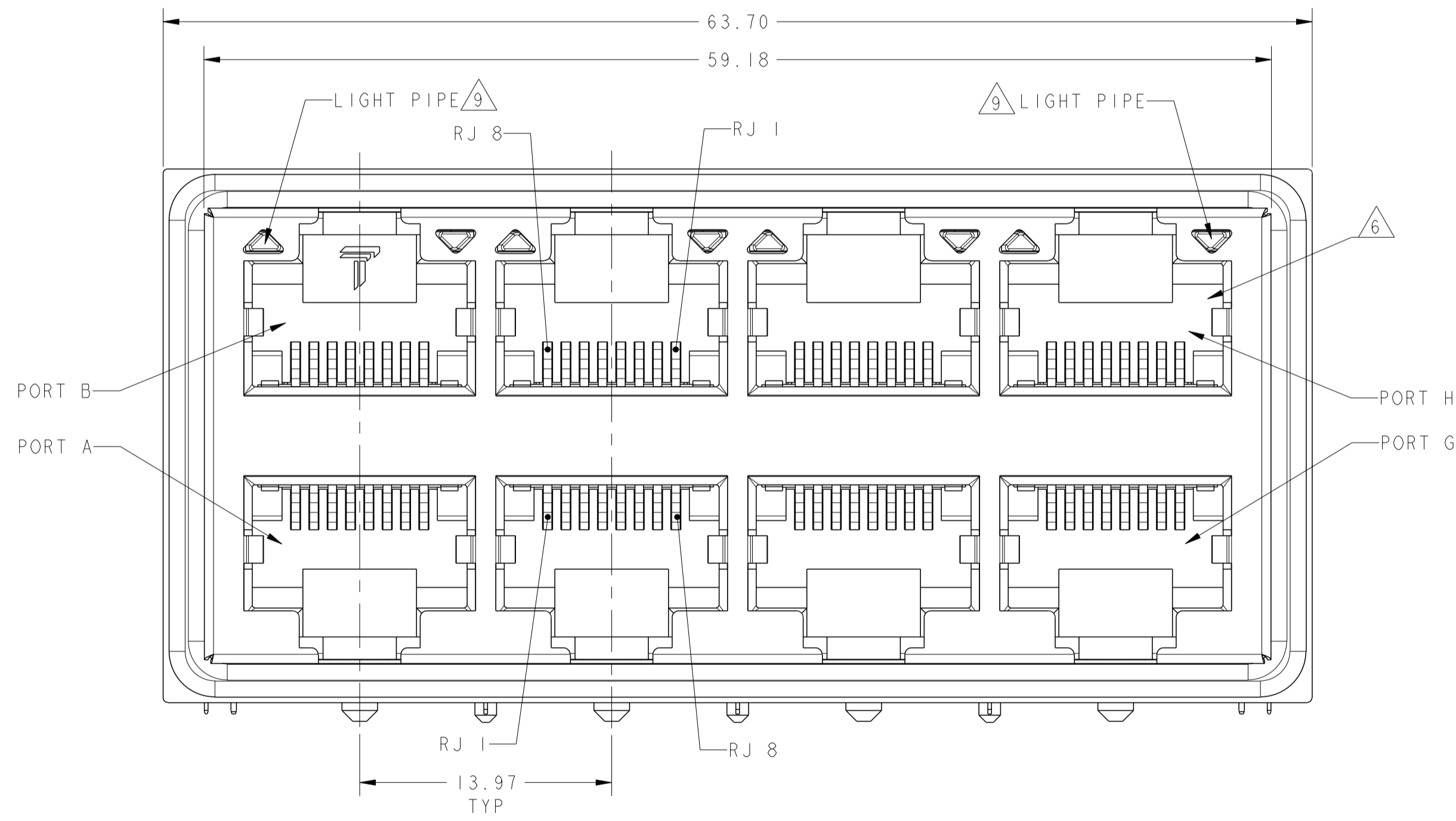
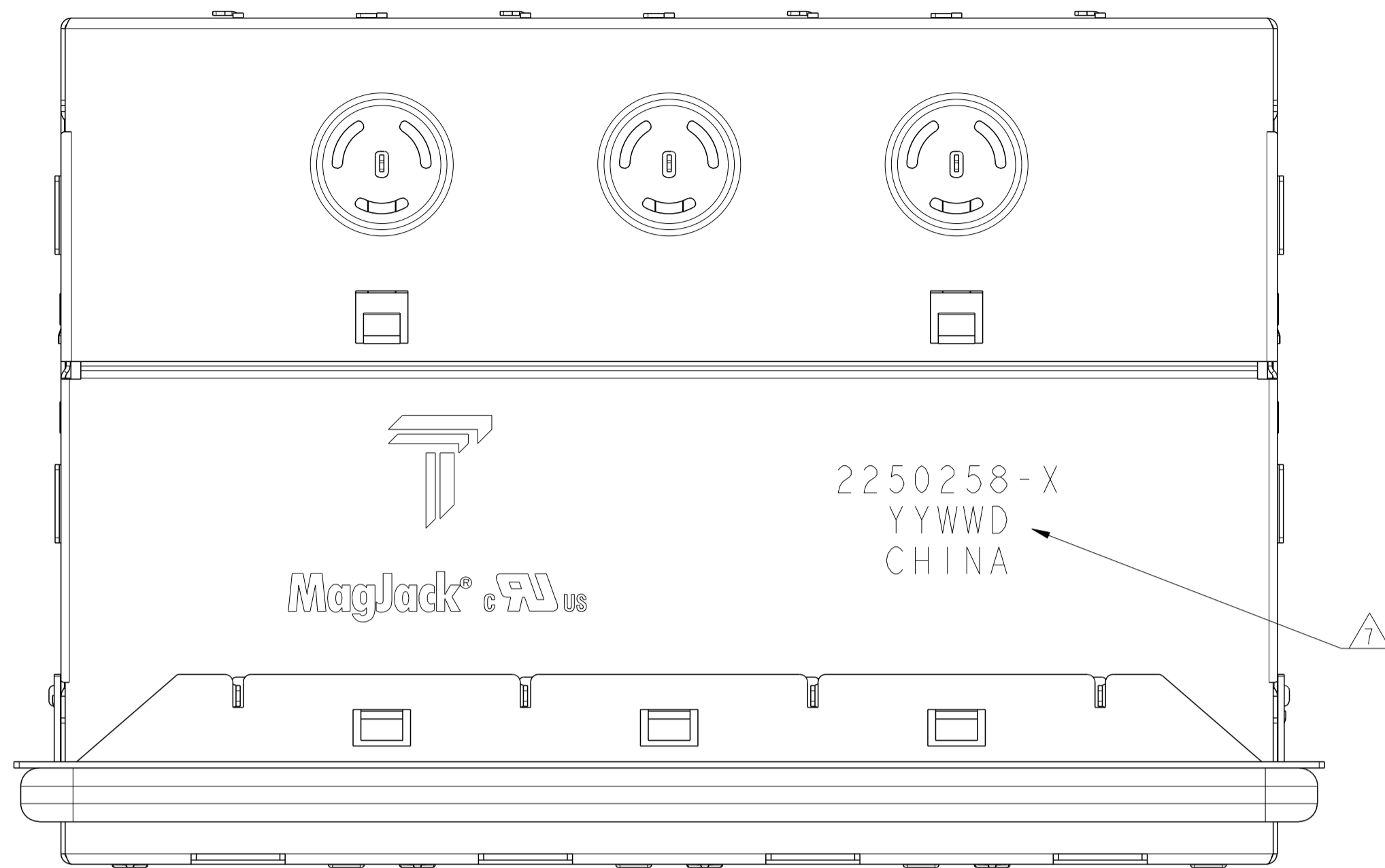


C1 = 1000pF, 2KV DECOUPLING CAPACITOR  
 R1 - R4 = 75 OHMS, 5% RESISTORS  
 C2 - C5 = 22 nF, 100V CAPACITORS

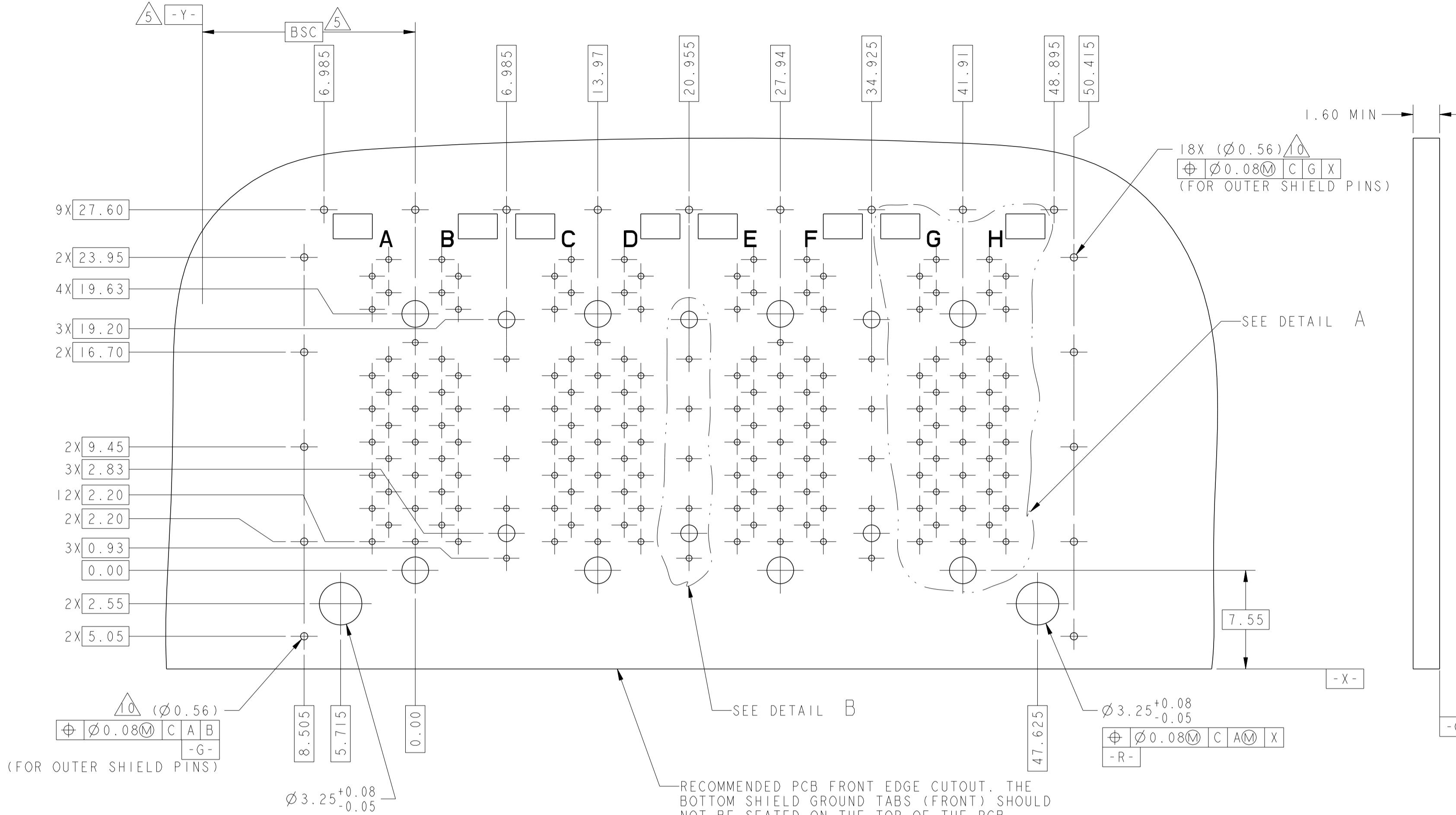
1. MATERIALS  
 HOUSING: THERMOPLASTIC, BLACK, FLAMMABILITY RATING UL 94V-0  
 SHIELD: NICKEL OR TIN PLATED ON COPPER ALLOY  
 COMPLIANT PIN: PHOSPHOR BRONZE, PLATED WITH 2.54um MIN MATTE TIN OVER 1.27um MIN NICKEL  
 CONTACT: PHOSPHOR BRONZE, WITH 1.27um MIN OVERALL NICKEL UNDERPLATE AND SELECTIVE 1.27um MIN GOLD PLATING AT MATING INTERFACE
2. MAGNETICS  
 - APPLICATION: 1G/2.5G/5G/10G BASE-T, EXTENDED TEMPERATURE  
 - IMPEDANCE: 100 OHMS  
 - TURNS RATIO (CHIP:CABLE): 1:1 ALL FOUR PAIRS  
 - OPEN CIRCUIT INDUCTANCE (OCL): 120uH MIN @100kHz, 0.1VRMS, 19mA DC BIAS, FROM -40°C TO 85°C. ALL FOUR PAIRS  
 - ALL FOUR PAIRS BI-DIRECTIONAL  
 - PoE CURRENT: 600mADC  
 - PERFORMANCE @ 25°C (WHERE f IS FREQUENCY IN MHZ)  
 (a) INSERTION LOSS (IL):  
 1 MHZ TO 400 MHZ -0.5-1.3\*(f-1)/400 dB MIN  
 (b) RETURN LOSS (RL):  
 1 MHZ TO 100 MHZ -17 dB MAX  
 100 MHZ TO 500 MHZ -17 + 20.75LOG10(f/100) dB MAX  
 (c) CROSSTALK ATTENUATION:  
 1 MHZ TO 500 MHZ -20 dB MAX  
 (d) COMMON MODE REJECTION:  
 1 MHZ TO 500 MHZ -16 dB MAX  
 - ISOLATION VOLTAGE: 2250VDC FOR 60 SECONDS WITH A RISE TIME OF 500V/SEC, WITH ALL PORTS CONNECTED.
3. THE MAGNETIC CIRCUIT ON ALL FOUR CHANNELS IS SYMMETRICAL AND SUPPORTS AUTO-MDIX OPERATION.
4. OPERATING TEMPERATURE: -40°C - 85°C.
5. DATUM Y AND BASIC DIMENSION ESTABLISHED BY CUSTOMER.
6. RJ45 CAVITY CONFORMS TO FCC RULES AND REGULATION PART 68 SUBPART F.
7. TRP CONNECTOR LOGO, PART NUMBER, DATE CODE, COUNTRY OF ORIGIN, AGENCY APPROVAL MARKING IN APPROPRIATE LOCATION SHOWN.  
 DATE CODE: YYWW WHERE "YY" IS YEAR, "WW" IS WORK WEEK, "D" IS DAY OF WEEK, WITH SUNDAY= 1
8. PANEL SEATING LOCATION WITH RESPECT TO CUSTOMER PCB EDGE.
9. THE FINISHED GOODS IS WITHOUT SMD LED, THE SMD LED IS PROVIDED BY CUSTOMER HERSELF, AND THE SMD LED IS MOUNTED ON CUSTOMER PCB.
10. FOR HOLE SIZE AND PLATINGS, SEE SHEET 4.

2250258-1  
PART NUMBER

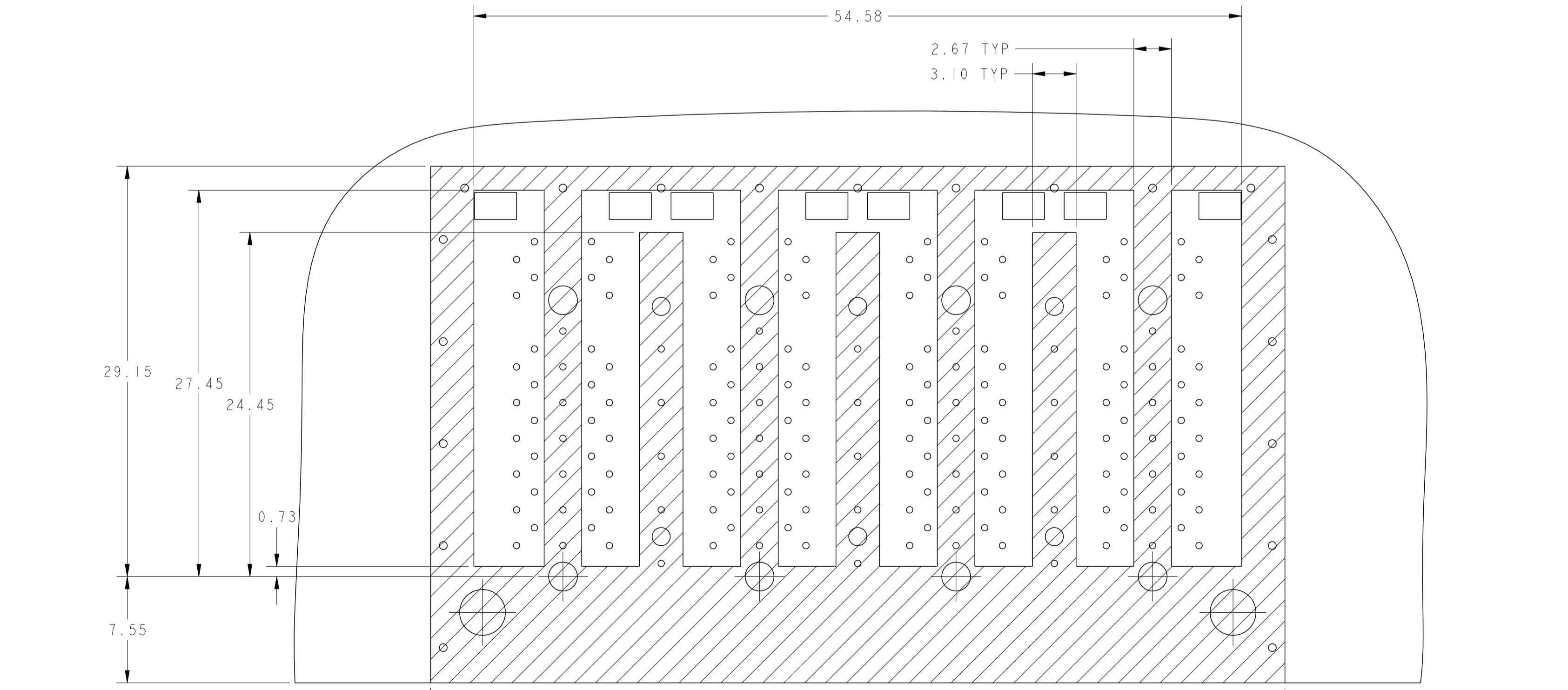
THIS DRAWING IS A CONTROLLED DOCUMENT. AND COMPLIANT TO ASME Y14.5M		DWN: RICK LI / LIGHT CHEN 02DEC2014 CHK: TOMMY REN / BILL LIU 02DEC2014 APVD: TONY YUAN 02DEC2014		DONGGUAN CHINA	
DIMENSIONS: mm	TOLERANCES UNLESS OTHERWISE SPECIFIED:	MODEL NAME	DESC	SIZE	RESTRICTED TO
0 PLC ±0.25 1 PLC ±0.25 2 PLC ±0.25 3 PLC ±0.25 4 PLC ±0.25 ANGLES ±°	APPLICATION SPEC	MAGJACK STACK 4PPoE	2X4, S9HTG08ET 10G 4PPoE CIRCUIT PRESS FIT, WITH LIGHT PIPE	A1	
PRODUCT SPEC 108-104017		Customer Drawing	SCALE NTS	SHEET 1 OF 6	REV 5



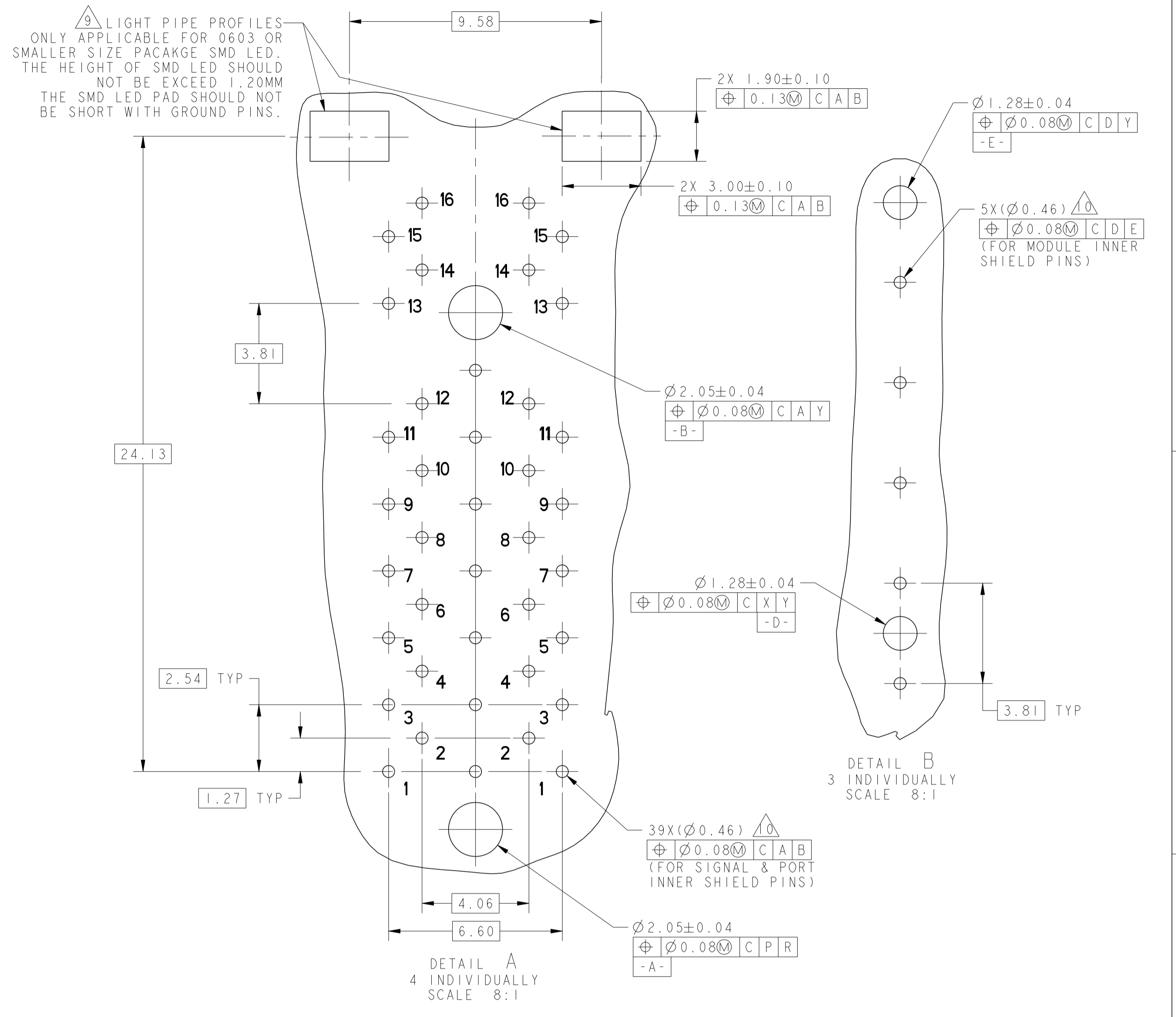
THIS DRAWING IS A CONTROLLED DOCUMENT AND COMPLIANT TO ASME Y14.5M		OWN: RICK LI / LIGHT CHEN CHK: TOMMY REN / BILL LIU APP'D: TONY YUAN	DATE: 02DEC2014 DATE: 02DEC2014 DATE: 02DEC2014	<b>trp</b> CONNECTOR DONGGUAN CHINA a bel group
DIMENSIONS: mm		MODEL NAME: MAGJACK STACK 4PPoE DESC: 2X4, S9HTG08ET 10G 4PPoE CIRCUIT PRESS FIT, WITH LIGHT PIPE SIZE: A1 CAGE CODE: C=2250258 DRAWING NO: 108-104017		
TOLERANCES UNLESS OTHERWISE SPECIFIED: 0 PLC ±0.25 1 PLC ±0.25 2 PLC ±0.25 3 PLC ±0.25 4 PLC ± ANGLES ±° APPLICATION SPEC ±		SCALE: NTS SHEET: 2 OF 6 REV: 5		Customer Drawing



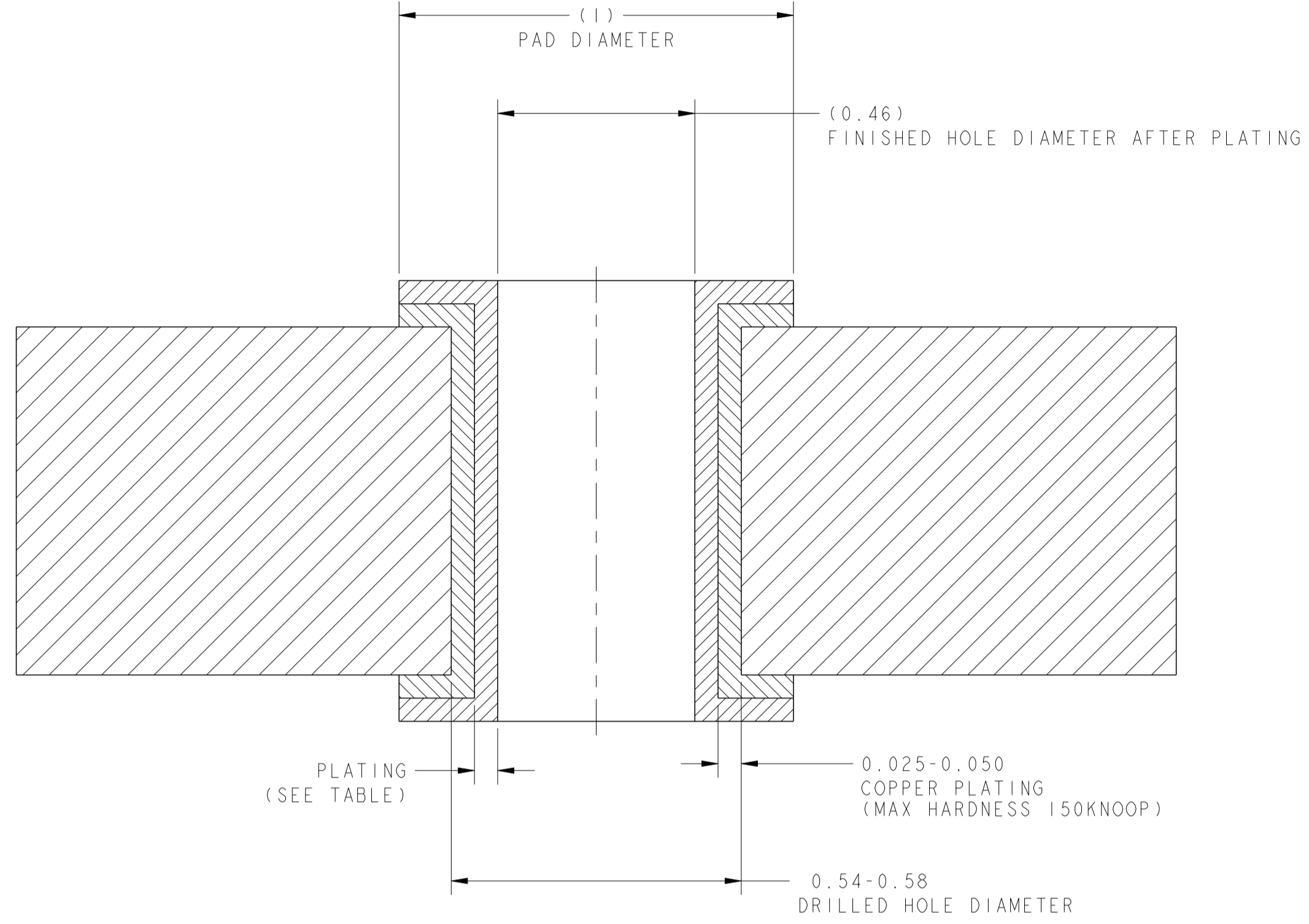
RECOMMENDED PC BOARD LAYOUT (VIEW FROM COMPONENT SIDE)



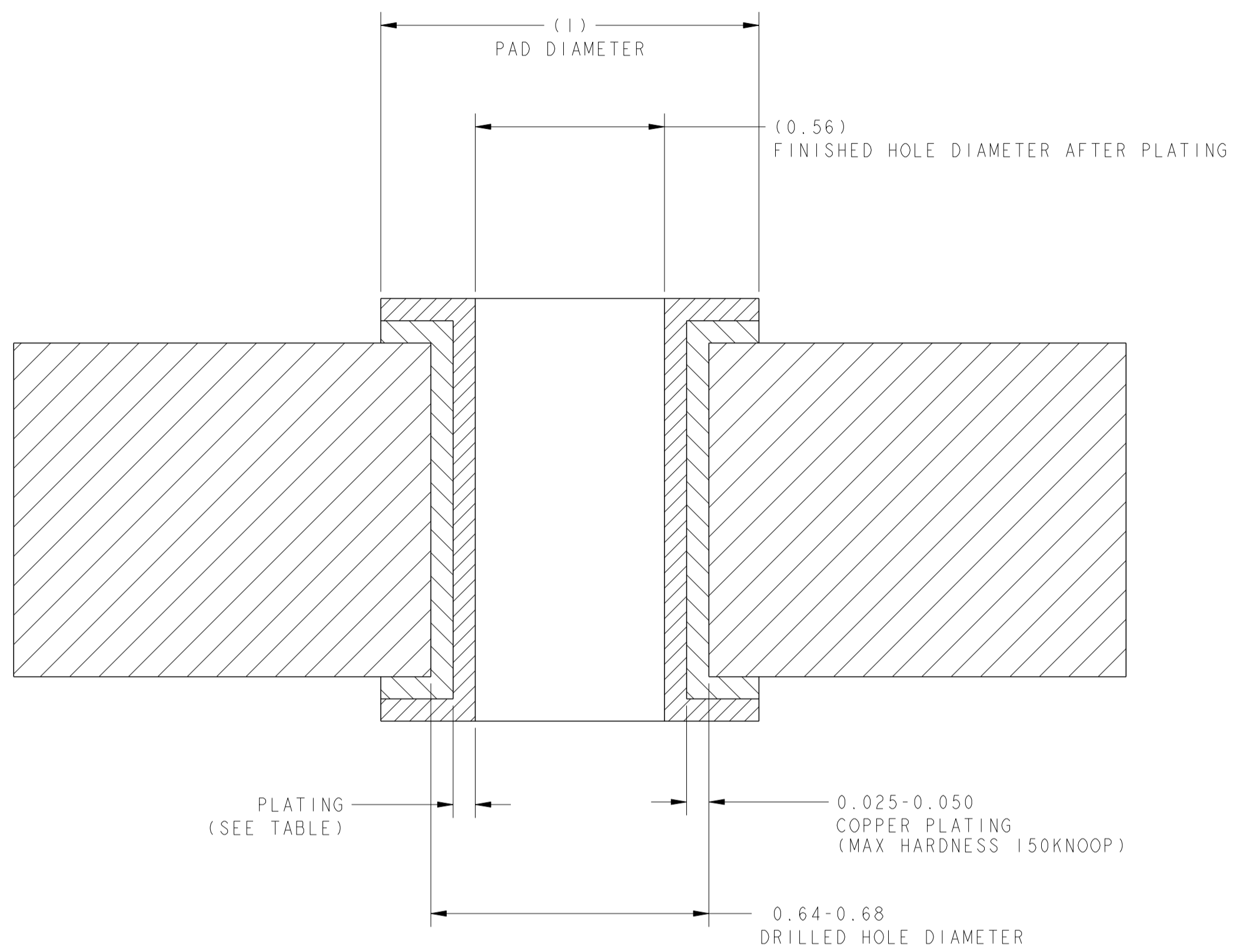
THE SHADED AREA ON THE CUSTOMER BOARD ARE RECOMMENDED TO BE CLEAR OF ANY VIA HOLE OR COMPONENT PAD



THIS DRAWING IS A CONTROLLED DOCUMENT. AND COMPLIANT TO ASME Y14.5M		OWN: RICK LI / LIGHT CHEN 02DEC2014 CHK: TOMMY REN / BILL LIU 02DEC2014 APP'D: TONY YUAN 02DEC2014		<b>trp</b> CONNECTOR DONGGUAN CHINA a bel group	
DIMENSIONS: mm		TOLERANCES UNLESS OTHERWISE SPECIFIED: 0 PLC ±0.25 1 PLC ±0.25 2 PLC ±0.25 3 PLC ±0.25 4 PLC ±0.25 ANGLES ±°		MODEL NAME: MAGJACK DESC: 2X4, S9HTG08ET I0G 4PPoE CIRCUIT PRESS FIT, WITH LIGHT PIPE SIZE: A1 CAGE CODE: C=2250258	
PRODUCT SPEC: 108-104017	APPLICATION SPEC: -	Customer Drawing		SCALE: NTS SHEET 3 OF 6 REV 5	



**RECOMMENDED HOLE DIMENSIONS FOR SIGNAL & INNER SHIELD CONTACTS**



**RECOMMENDED HOLE DIMENSIONS FOR OUTER SHIELD CONTACTS**

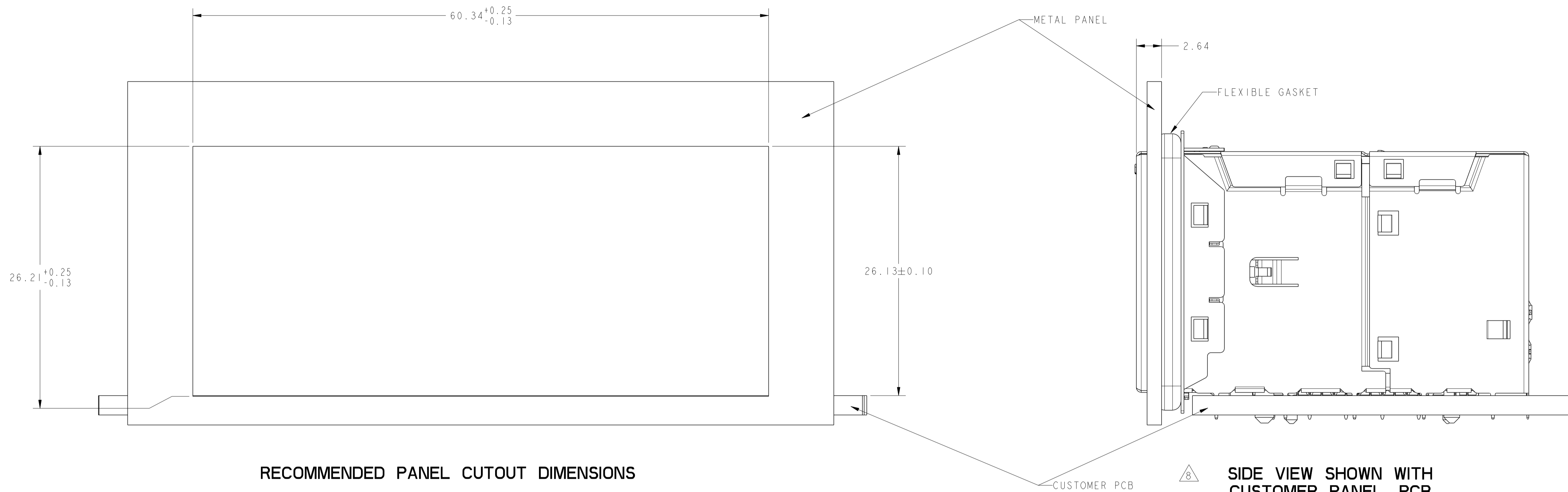
THICKNESS	PLATING
0.004-0.010	HOT AIR SOLDER LEVELING (HASL) TIN-LEAD (Sn Pb)
0.0005-0.001	IMMERSION TIN (Sn)
0.0002-0.0005	ORGANIC SOLDERABILITY PRESERVATIVE (OSP)
0.0001-0.0005 Au, 0.004-0.0076 Ni	IMMERSION GOLD (Au) OVER NICKEL (Ni) (ENIG)
0.010-0.025	TIN LEAD PLATING (Sn Pb)
0.0001-0.00015	IMMERSION SILVER (Ag)


THIS DRAWING IS A CONTROLLED DOCUMENT. AND COMPLIANT TO ASME Y14.5M

DIMENSIONS:	TOLERANCES UNLESS OTHERWISE SPECIFIED:	OWN: RICK LI / LIGHT CHEN CHK: TOMMY REN / BILL LIU APVD: TONY YUAN	02DEC2014 02DEC2014 02DEC2014
mm	0 PLC ±0.25 1 PLC ±0.25 2 PLC ±0.25 3 PLC ±0.25 4 PLC ±0.25 ANGLES ±°	MODEL NAME: MAGJACK STACK 4PPoE	DESC: 2X4, S9HTG08ET 10G 4PPoE CIRCUIT PRESS FIT, WITH LIGHT PIPE
PRODUCT SPEC: 108-104017	APPLICATION SPEC: -	SIZE: A1	CAGE CODE: C=2250258


Customer Drawing SCALE: NTS SHEET 4 OF 6 REV 5

**trp** CONNECTOR DONGGUAN CHINA



THIS DRAWING IS A CONTROLLED DOCUMENT. AND COMPLIANT TO ASME Y14.5M		OWN RICK LI / LIGHT CHEN 02DEC2014	 <b>trp</b> CONNECTOR DONGGUAN CHINA a bel group
DIMENSIONS: mm		CHK TOMMY REN / BILL LIU 02DEC2014	
TOLERANCES UNLESS OTHERWISE SPECIFIED:		APVD TONY YUAN 02DEC2014	DESC 2X4, S9HTG08ET 10G 4PPoE CIRCUIT PRESS FIT, WITH LIGHT PIPE
0 PLC ±0.25 1 PLC ±0.25 2 PLC ±0.25 3 PLC ±0.25 4 PLC ±0.25 ANGLES ±° APPLICATION SPEC ±°		MODEL NAME MAGJACK STACK 4PPoE	SIZE A1
PRODUCT SPEC 108-104017		Customer Drawing	SCALE NTS
		SHEET 5	OF 6
		REV 5	

2250258					STOCK DISPOSITION			
2X4, S9HTG08ET 10G 4PPoE CIRCUIT, PRESS FIT, WITH LIGHT PIPE					A: CONTINUE AS IS      D: USE OLD FIRST B: REWORK                E: PARTS TO CONFORM C: SCRAP                    F: OTHER			
REVISION HISTORY								
DATE	REV	CHANGES	REASON	APPROVAL	INVENTORY (A,B,C,D,E,F)	WORK IN PROCESS (A,B,C,F)	SUPPLIER ORDERS (A,E,F)	OPEN CUST ORDERS (A,E,F)
02DEC2014	1	-	INITIAL RELEASE	TONY YUAN	-	-	-	-
20JAN2015	2	COMPANY LOGO CHANGE	EC-1411035	TONY YUAN	-	-	-	-
15MAY2020	3	ADD THE POSITION PEGS ON MAG CASE	DESIGN OPTIMATION	TONY YUAN	-	-	-	-
21MAY2020	4	ADD 2 NPTH ON THE CUSTOMER PCB	TO BE COMPATIBLE WITH WM'S DSM02551	TONY YUAN	-	-	-	-
02DEC2020	5	NOTE 2: REMOVED "160uH MIN @100kHz, 0.1VRMS, FROM -40°C TO 85°C. ALL FOUR PAIRS "	DRAWING CLARIFICATION	TONY YUAN	-	-	-	-

THIS DRAWING IS A CONTROLLED DOCUMENT. AND COMPLIANT TO ASME Y14.5M		OWN: 02DEC2014 RICK LI / LIGHT CHEN	 <b>trp</b> CONNECTOR DONGGUAN CHINA a bel group
DIMENSIONS: mm		CHK: 02DEC2014 TOMMY REN / BILL LIU	
TOLERANCES UNLESS OTHERWISE SPECIFIED:		APVD: 02DEC2014 TONY YUAN	MODEL NAME: MAGJACK STACK 4PPoE
0 PLC ±0.25 1 PLC ±0.25 2 PLC ±0.25 3 PLC ±0.25 4 PLC ±0.25 ANGLES ±° APPLICATION SPEC ±°		DESC: 2X4, S9HTG08ET 10G 4PPoE CIRCUIT PRESS FIT, WITH LIGHT PIPE	SIZE: A1
PRODUCT SPEC: 108-104017		Customer Drawing	SCALE: NTS SHEET 6 OF 6 REV 5