

THE INFORMATION CONTAINED HEREIN IS CONSIDERED PROPRIETARY TO BEL FUSE INC. AND SHALL NOT BE COPIED, REPRODUCED OR DISCLOSED WITHOUT THE WRITTEN APPROVAL OF BEL FUSE INC.

LED 2 & 4 POLARITY	LED 1 & 3 POLARITY	PIN 11	PIN 12	COLOR	PIN 13	PIN 14	COLOR
+	-	-	-	GREEN	+	-	GREEN

**ELECTRICAL CHARACTERISTICS @ 25°C**

LED 1, 2, 3, 4  
 TURNS RATIO 1CT : 1CT 42%

DCL @ 100mV, 100KHZ

FOR CHANNEL 1, CHANNEL 2

8mA DC BIAS (0°C - 70°C)

19mA DC BIAS (0°C - 70°C)

FOR CHANNEL 3, CHANNEL 4

8mA DC BIAS (0°C - 70°C)

INSERTION LOSS

100KHZ TO 100MHZ

RETURN LOSS (MIN.)

0.5MHZ-40MHZ

40MHZ-100MHZ

CM TO CM REJ

100KHZ - 100MHZ

CM TO DM REJ

100KHZ - 100MHZ

XTALK

100KHZ TO 100MHZ

HIPOT (Isolation Voltage): 2250 VDC

100% OF PRODUCTION TESTED TO COMPLY WITH

IEEE 802.3 ISOLATION REQUIREMENTS.

BALANCED DC LINE CURRENT 600mA MAX. CONTINUOUS

1.2A MAX. FOR 200 MILLISECONDS

LED 1,2,3,4

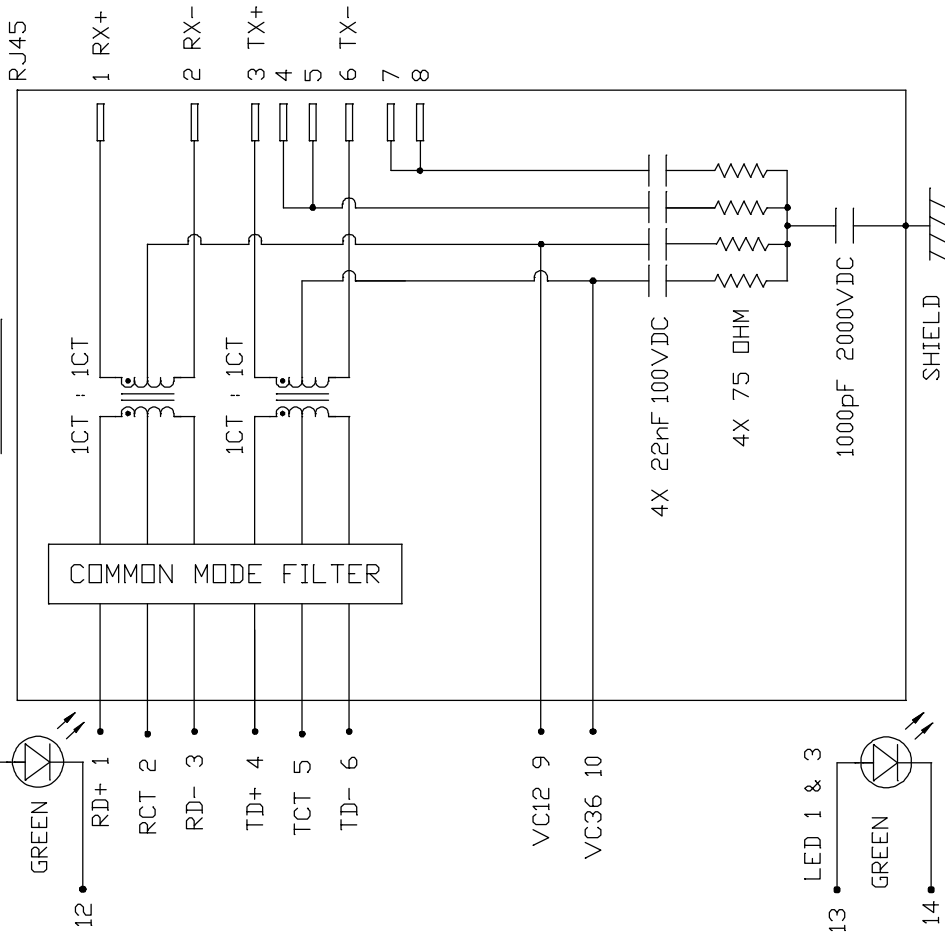
Vf (FORWARD VOLTAGE) IF=20mA GREEN 2.2V TYP.

λD (DOMINANT WAVELENGTH) IF=20mA GREEN 570nm TYP.

OPERATING TEMPERATURE: 0°C TO +70°C.

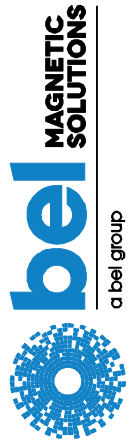


**SCHEMATIC**

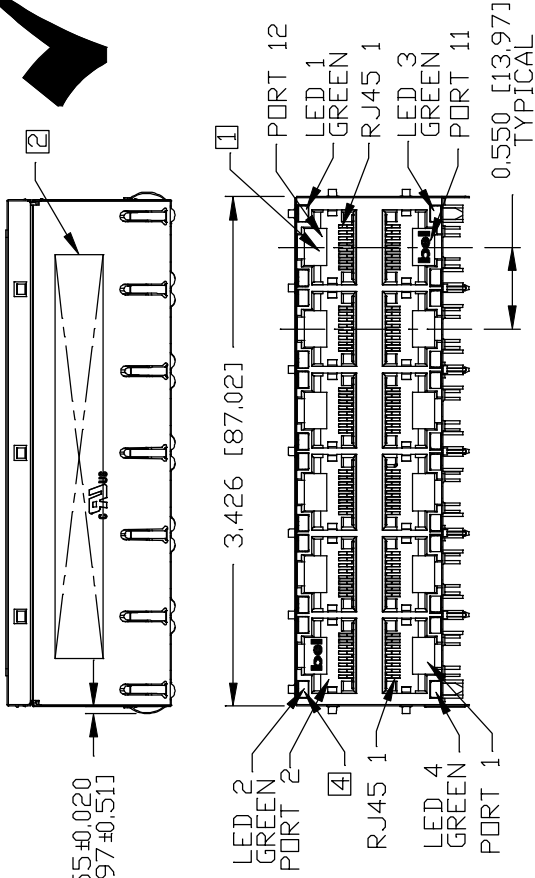
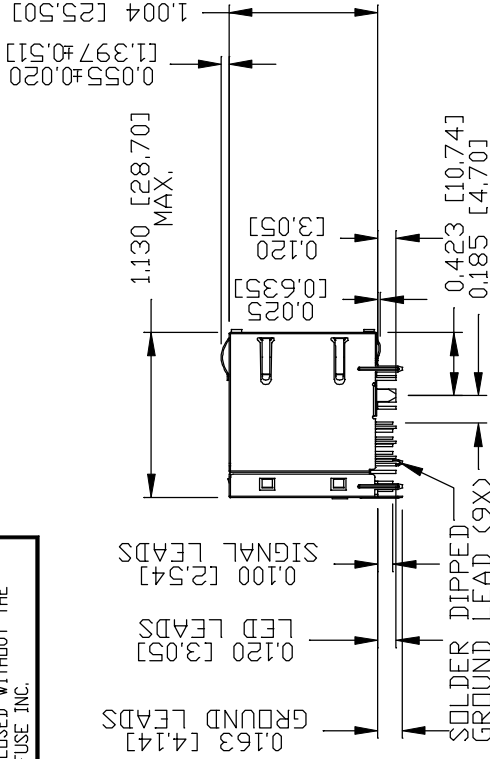


REV. : D		PAGE : 2	
STANDARD DIM. [ ] METRIC DIM. AS REF.		PART NO. / DRAWING NO. 0879-2S6JBUA	
TOL. IN INCH		FILE NAME 0879-2S6JBUA_D.DWG	
.X		SCALE : N/A	
.XX		SIZE : A4	
.XXX		TITLE 10/100 MagJack® (PoE) (WITH UPPER AND LOWER LED) 0879-2S6J-BUA PATENTED	
ORIGINATED BY CHOW WANCHUNG		DATE 2020-02-28	
DRAWN BY XIE YIMING		DATE 2020-02-28	

This document is electronically generated. This is a controlled copy if used internally



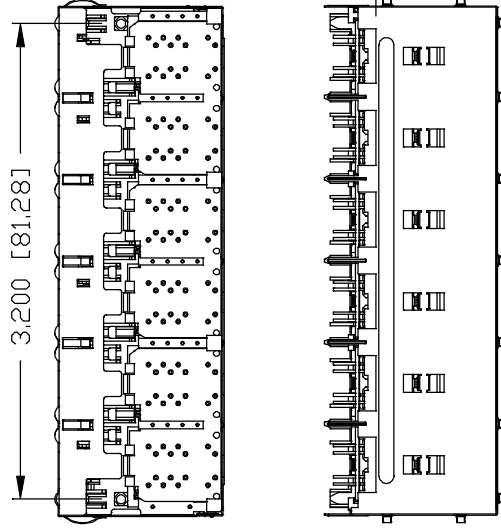
THE INFORMATION CONTAINED HEREIN IS CONSIDERED "PROPRIETARY" TO BEL FUSE INC. AND SHALL NOT BE COPIED, REPRODUCED OR DISCLOSED WITHOUT THE WRITTEN APPROVAL OF BEL FUSE INC.



**NOTES:**  
 PLASTIC HOUSING: THERMOPLASTIC PBT, BLACK  
 FLAMMABILITY RATING UL 94V-0  
 CONTACT PLATING: 50 MICRO-INCH HARD GOLD PLATING OR EQUIVALENT.  
 OUTPUT PINS:  
 TIN-COATED COPPER WIRE, DIA 0.018 INCH,  
 100 MICRO-INCH MIN MATTE TIN. PINS ARE SOLDER DIPPED.  
 METAL SHIELD:  
 NICKEL PLATED ON COPPER ALLOY,  
 (ALL GROUND LEADS ARE SOLDER DIPPED)  
 THE BASE MATERIAL OF INNER OVER OR EQUAL 4-LAYER PCB IS S1170.

- [1] JACK CAVITY CONFORMS TO FCC RULES AND REGULATIONS, PART 68 SUBPART F.
- [2] MARK PART WITH MFG LOGO, MFG NAME, PART NUMBER, DATE CODE AND PATENTED.
3. THE PRODUCT IS RoHS COMPLIANT.

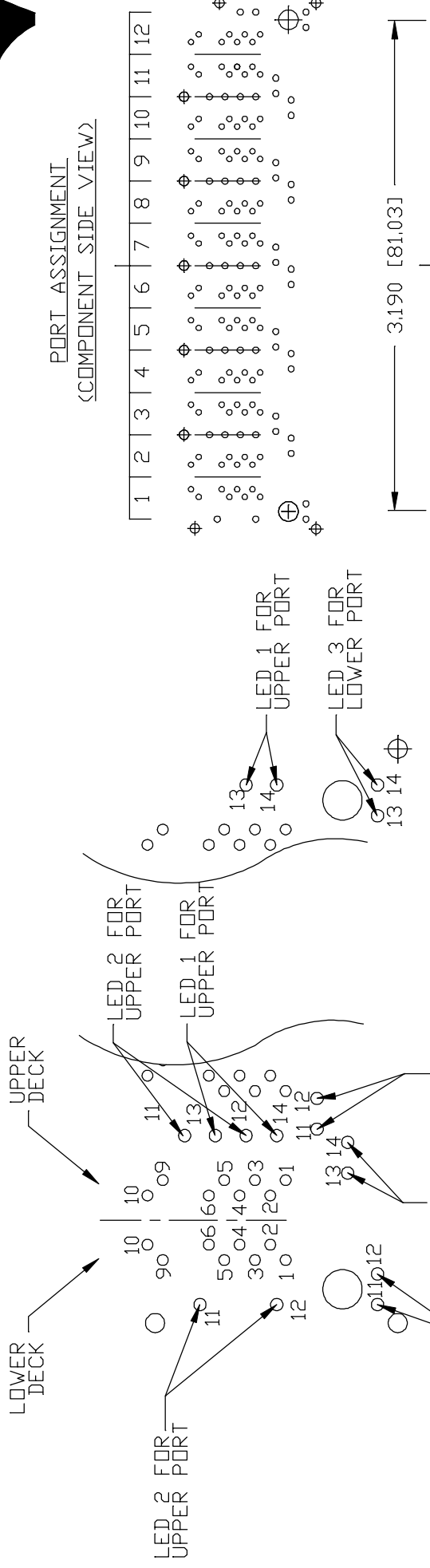
- [4] **FAJIS** UL RECOGNIZED - FILE #E196366 AND E169987.
- [5] SPECIAL LED CONFIGURATION: LOW DENSITY LIGHT
5. THE PRODUCT IS PATENTED, THE PATENT NUMBER ARE U.S. PAT. 7,123,117 AND U.S. PAT. 6,840,817.
6. THE PART IS RECOMMENDED FOR WAVE SOLDERING, THE SUGGESTED PEAK WAVE SOLDERING CONDITION IS 260°C MAX AND 10 SECONDS MAX.



<b>ORIGINATED BY</b> SANDY LIN		<b>TITLE</b> 10/100 MagJack® (PoEp)		<b>PART NO. / DRAWING NO.</b> 0879-2S6JBUA		<b>STANDARD DIM.</b> TOL. IN INCH		<b>[ ] METRIC DIM.</b> AS REF.		<b>REV. :</b> D PAGE : 3	
<b>DATE</b> 2020-02-28		<(WITH UPPER AND LOWER LED)> 0879-2S6J-BUA PATENTED		<b>FILE NAME</b> 0879-2S6JBUA_D.DWG		.X		UNIT : INCH [mm]		bel a bel group	
<b>DRAWN BY</b> WENJUN RUAN						.XX		SCALE : N/A		MAGNETIC SOLUTIONS	
<b>DATE</b> 2020-02-28						.XXX ±0.010		SIZE : A4		a bel group	

DC002(2)120214 This document is electronically generated. This is a controlled copy if used internally

THE INFORMATION CONTAINED HEREIN IS CONSIDERED "PROPRIETARY" TO BEL FUSE INC. AND SHALL NOT BE COPIED, REPRODUCED OR DISCLOSED WITHOUT THE WRITTEN APPROVAL OF BEL FUSE INC.



PIN-OUT INFORMATION  
(COMPONENT SIDE VIEW)

10	VC36	14	GRE ( - )
9	VC12	13	GRE ( + )
8	NO PIN	12	GRE ( - )
7	NO PIN	11	GRE ( + )
6	TD-		
5	TCT		
4	TD+		
3	RD-		
2	RCT		
1	RD+		

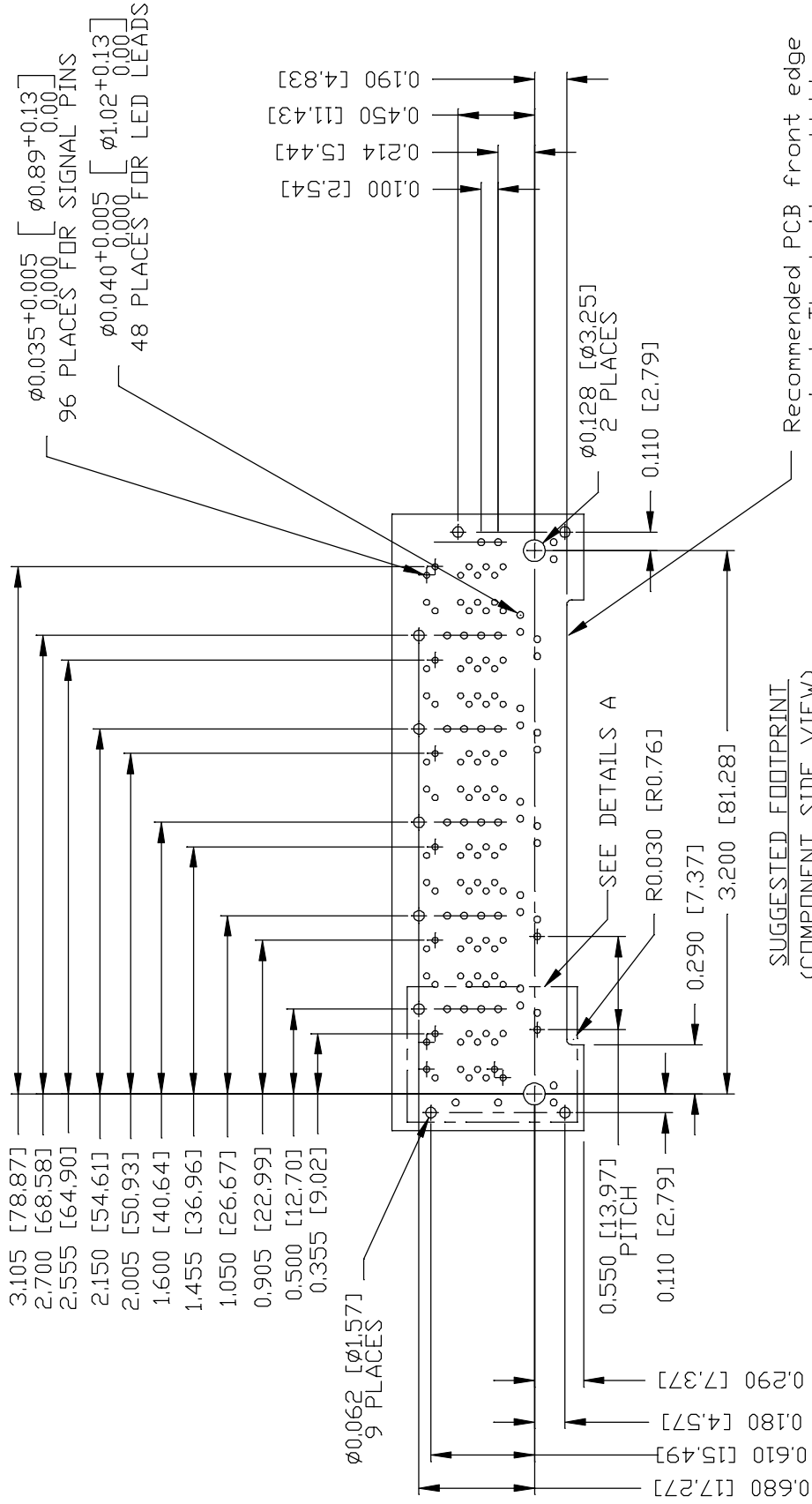
1.230 [31.24]	0.954 [24.07]	0.425 [10.80]
3.490 [88.65]	3.190 [81.03]	0.145 [3.68]

THE SHADED AREA ON THE CUSTOMER BOARD ARE RECOMMENDED TO BE CLEAR OFF ANY VIA HOLE OR COMPONENT PAD.

REV. :      D	PAGE :      4
ORIGINATED BY SANDY LIN	TITLE 10/100 MagJack® (PoEp)
DATE 2020-02-28	(WITH UPPER AND LOWER LED) 0879-2S6J-BUA PATENTED
DRAWN BY WENJUN RUAN	PART NO. / DRAWING NO. 0879-2S6JBUA
DATE 2020-02-28	FILE NAME 0879-2S6JBUA_D.DWG
DC002(2)120214	STANDARD DIM. TOL. IN INCH X XX XXX
	[ ] METRIC DIM. AS REF.
	UNIT : INCH [mm]
	SCALE : N/A
	SIZE : A4
	bel a bel group

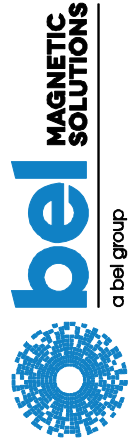
This document is electronically generated. This is a controlled copy if used internally

THE INFORMATION CONTAINED HEREIN IS CONSIDERED  
 "PROPRIETARY" TO BEL FUSE INC. AND SHALL NOT BE  
 COPIED, REPRODUCED OR DISCLOSED WITHOUT THE  
 WRITTEN APPROVAL OF BEL FUSE INC.



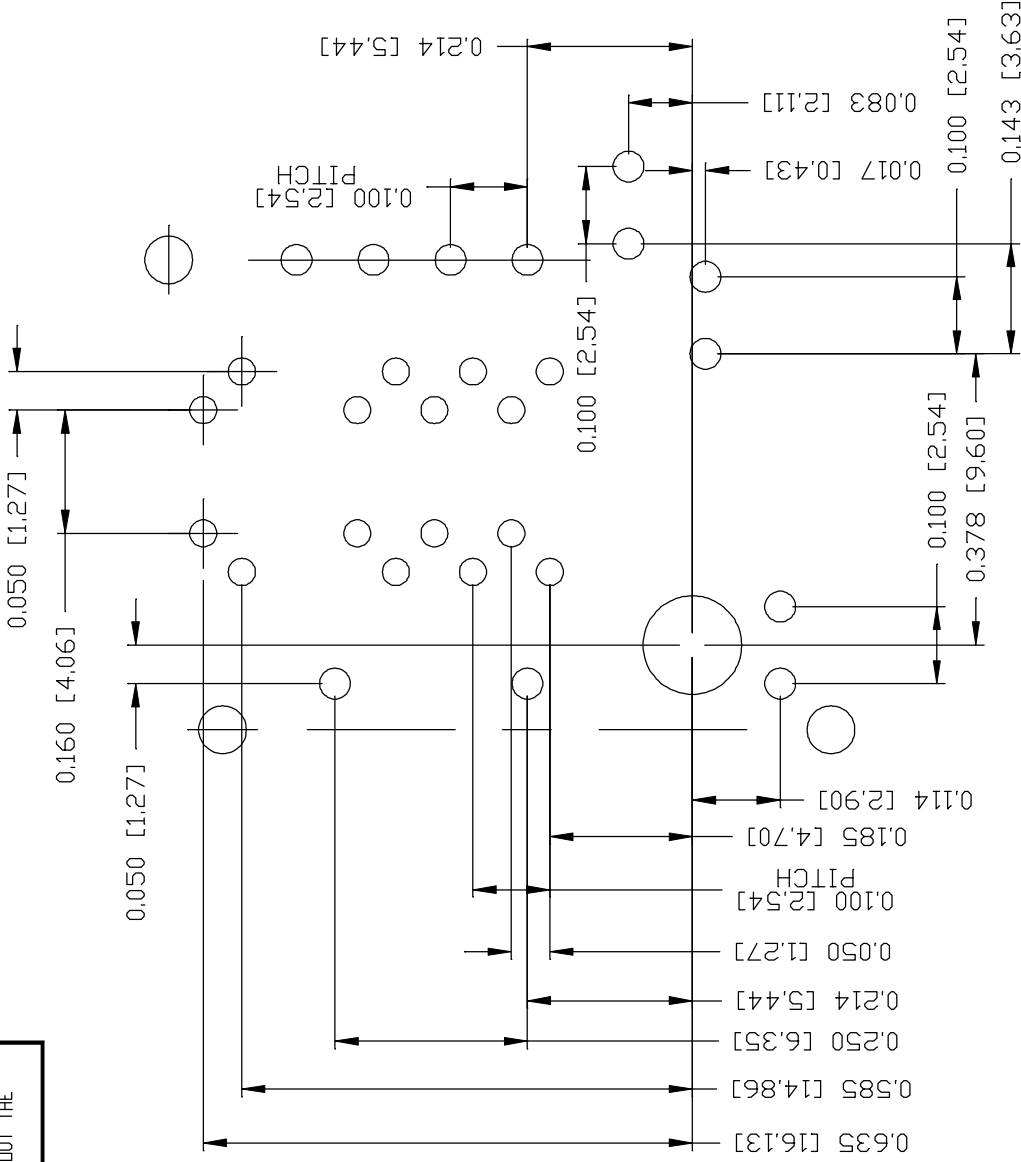
Recommended PCB front edge  
 cutout. The bottom shield ground  
 tabs (front) should not be seated  
 on the top of the PCB.

REV. :	D	PAGE :	5
ORIGINATED BY	SANDY LIN		
DATE	2020-02-28		
DRAWN BY	WENJUN RUAN		
DATE	2020-02-28		
TITLE	10/100 MagJack® (PoEp) (WITH UPPER AND LOWER LED) 0879-2S6J-BUA PATENTED		
PART NO. / DRAWING NO.	0879-2S6JBUA		
FILE NAME	0879-2S6JBUA_D.DWG		
STANDARD DIM.	[ ] METRIC DIM.	AS REF.	
TOL. IN INCH	.X		
.XX	UNIT : INCH [mm]		
.XXX	SCALE : N/A		
±0.004	SIZE : A4		



DC002(2)120214 This document is electronically generated. This is a controlled copy if used internally

THE INFORMATION CONTAINED HEREIN IS CONSIDERED  
 'PROPRIETARY' TO BEL FUSE INC. AND SHALL NOT BE  
 COPIED, REPRODUCED OR DISCLOSED WITHOUT THE  
 WRITTEN APPROVAL OF BEL FUSE INC.



STANDARD DIM.		[ ] METRIC DIM. AS REF.
TOL. IN INCH		
.X		UNIT : INCH [mm]
.XX		SCALE : N/A
.XXX	±0.004	SIZE : A4

PART NO. / DRAWING NO.	0879-2S6JBUA
FILE NAME	0879-2S6JBUA_D.DWG

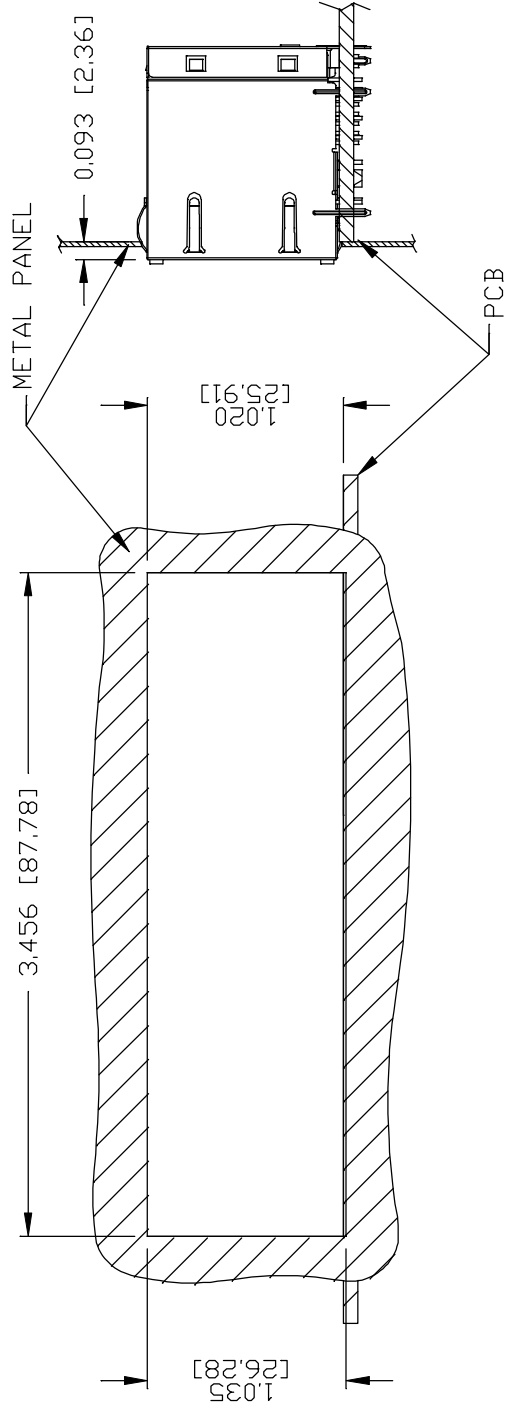
**TITLE**  
 10/100 MagJack®  
 (PoEp)  
 (WITH UPPER AND LOWER LED)  
 0879-2S6J-BUA  
 PATENTED

ORIGINATED BY	SANDY LIN
DATE	2020-02-28
DRAWN BY	WENJUN RUAN
DATE	2020-02-28

THE INFORMATION CONTAINED HEREIN IS CONSIDERED "PROPRIETARY" TO BEL FUSE INC. AND SHALL NOT BE COPIED, REPRODUCED OR DISCLOSED WITHOUT THE WRITTEN APPROVAL OF BEL FUSE INC.



SUGGESTED PANEL OPENING



NOTE:  
 THE DISTANCE OF PANEL INSIDE SURFACE RELATIVE TO FRONT SURFACE OF PART IS ONLY A SUGGESTION. IN CASE THIS DISTANCE IS DIFFERENT, THE REQUIRED PANEL OPENING DIMENSIONS CHANGE ACCORDINGLY.

PACKING INFORMATION

PACKING TRAY : 0200-9999-P3 (TOP)  
 0200-9999-P4 (BOTTOM)

PACKING QUANTITY : 14 PCS FINISHED GOODS PER TRAY  
 7 TRAYS (98 PCS FINISHED GOODS) PER CARTON BOX

REMARK : CARDBOARDS ARE PLACED BETWEEN LAYERS OF PACKING TRAY INSIDE CARTON BOX  
 (INCLUDE THE UPPERMOST AND LOWERMOST TRAY)

REV. : D		PAGE : 7	
STANDARD DIM. AS REF.		[ ] METRIC DIM. AS REF.	
TOL. IN INCH		UNIT : INCH [mm]	
.X		SCALE : N/A	
.XX		SIZE : A4	
.XXX	±0.005		
PART NO. / DRAWING NO.		0879-2S6-JBUA	
FILE NAME		0879-2S6-JBUA_D.DWG	
TITLE		10/100 MagJack® (PoEp) (WITH UPPER AND LOWER LED) 0879-2S6J-BUA PATENTED	
ORIGINATED BY	SANDY LIN	DATE	2020-02-28
DRAWN BY	WENJUN RUAN	DATE	2020-02-28

