

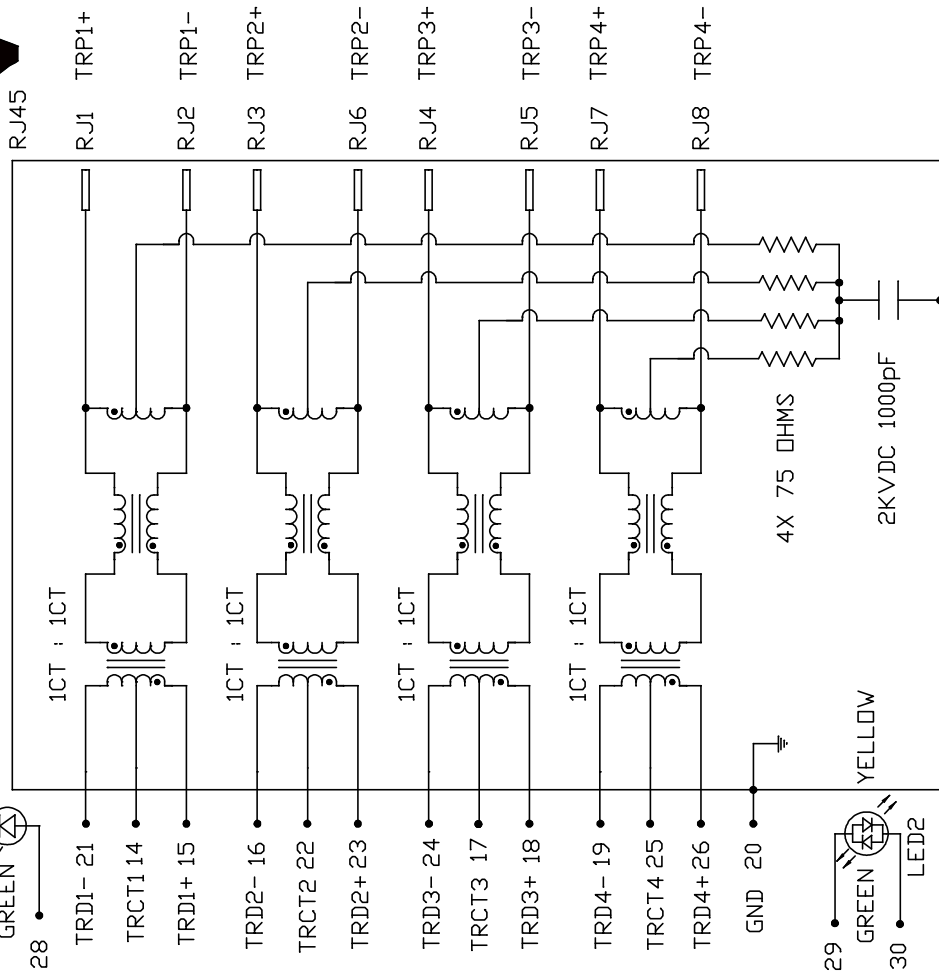
THE INFORMATION CONTAINED HEREIN IS CONSIDERED 'PROPRIETARY' TO BEL FUSE INC. AND SHALL NOT BE COPIED, REPRODUCED OR DISCLOSED WITHOUT THE WRITTEN APPROVAL OF BEL FUSE INC.

| LED1 POLARITY | | LED2 POLARITY | |
|---------------|--------|---------------|--------|
| PIN 27 | PIN 28 | PIN 29 | PIN 30 |
| - | + | + | - |
| GREEN | GREEN | YELLOW | YELLOW |



PRELIMINARY

SCHEMATIC FOR LOWER PORT(PORT1)



ELECTRICAL CHARACTERISTICS @ 25°C

LED1 POLARITY: PIN 27 (-), PIN 28 (+), PIN 29 (+), PIN 30 (-)

LED2 POLARITY: PIN 29 (+), PIN 30 (-)

1CT : 1CT ±2%

1CT : 1CT ±2%

1CT : 1CT ±2%

1CT : 1CT ±2%

350 µH MIN.

-1.1 dB MAX

-18 dB

-16 dB

-14 dB

-12 dB

-25 dB TYP

-35 dB TYP

-25 dB TYP

1500 Vrms

HIPOT (Isolation Voltage): 100% OF PRODUCTION TESTED TO COMPLY WITH IEEE 802.3 ISOLATION REQUIREMENTS.

LED 1: VF (FORWARD VOLTAGE) IF=20mA GREEN 2.2V TYP.

AD (DOMINANT WAVELENGTH) IF=20mA GREEN 570nm TYP.

LED 2: VF (FORWARD VOLTAGE) IF=20mA GREEN 2.2V TYP.

AD (DOMINANT WAVELENGTH) IF=20mA YELLOW 2.1V TYP.

AD (DOMINANT WAVELENGTH) IF=20mA GREEN 570nm TYP.

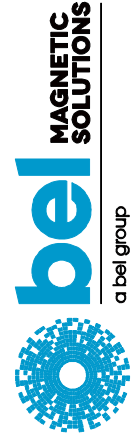
AD (DOMINANT WAVELENGTH) IF=20mA YELLOW 590nm TYP.

OPERATING TEMPERATURE: 0°C TO +70°C.

| | |
|---------------|---------------|
| ORIGINATED BY | CHOW WANCHUNG |
| DATE | 2022-04-14 |
| DRAWN BY | TANG YUAN |
| DATE | 2022-04-14 |

| | |
|------------------------|---|
| TITLE | 2X1 9lgabl MagJack® (WITH LED) PATENTED |
| PART NO. / DRAWING NO. | 0845-2R1T-E4D |
| FILE NAME | 0845-2R1T-E4D_1.DWG |

| | |
|------------------|----------------------------|
| STANDARD DIM. | [] METRIC DIM. AS REF. |
| TOL. IN INCH | .X .XX .XXX |
| UNIT : INCH [mm] | SCALE : N/A |
| SIZE : A4 | |



This document is electronically generated. This is a controlled copy if used internally

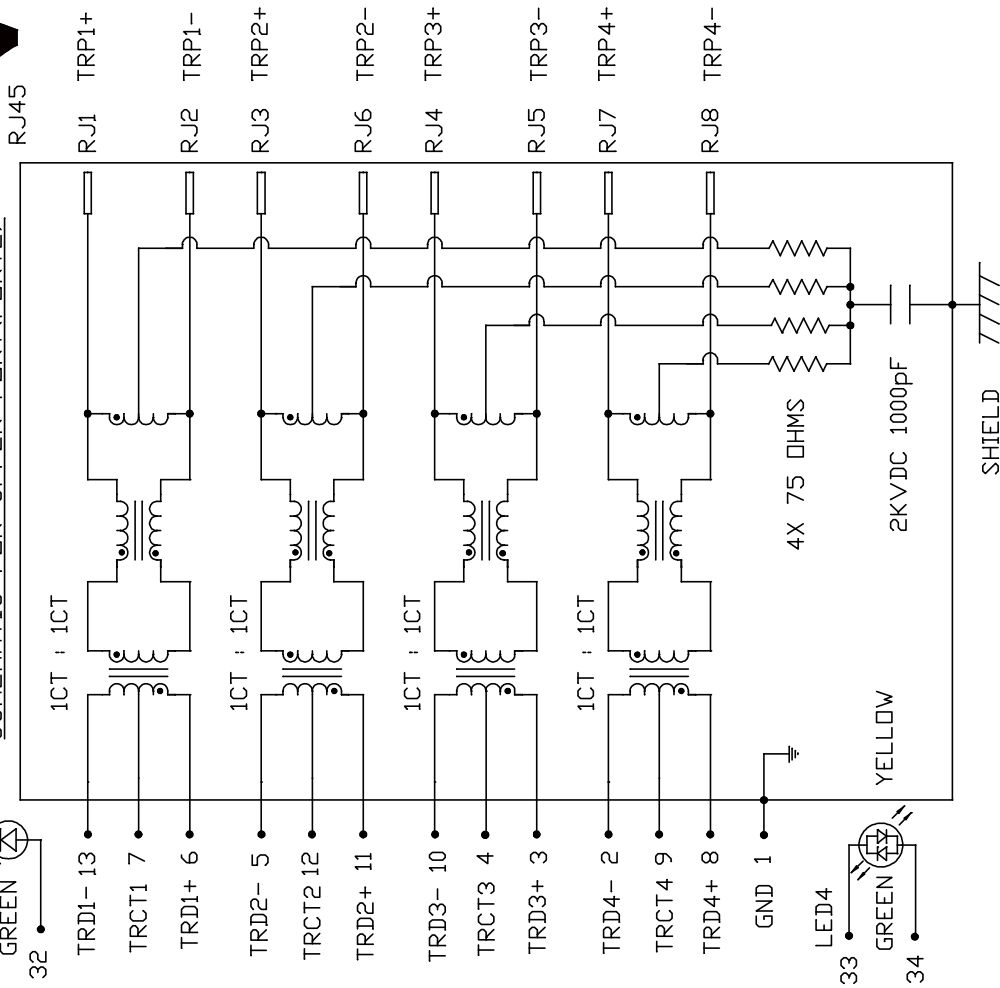
THE INFORMATION CONTAINED HEREIN IS CONSIDERED 'PROPRIETARY' TO BEL FUSE, INC. AND SHALL NOT BE COPIED, REPRODUCED OR DISCLOSED WITHOUT THE WRITTEN APPROVAL OF BEL FUSE, INC.

| LED3 POLARITY | | LED4 POLARITY | |
|---------------|--------|---------------|--------|
| PIN 31 | PIN 32 | PIN 33 | PIN 34 |
| - | + | + | - |
| | GREEN | + | + |
| | GREEN | - | + |
| | GREEN | | GREEN |



PRELIMINARY

SCHEMATIC FOR UPPER PORT(PORT2)



ELECTRICAL CHARACTERISTICS @ 25°C

TURNS RATIO

- TP1 1CT : 1CT ±2%
- TP2 1CT : 1CT ±2%
- TP3 1CT : 1CT ±2%
- TP4 1CT : 1CT ±2%

DCL @ 100kHz, 100mVrms

8mA DC BIAS

INS. LOSS

100kHz TO 100MHz

RET. LOSS (MIN)

1MHz-30MHz

30MHz-60MHz

60MHz-80MHz

80MHz-100MHz

CM TO CM REJ

100kHz - 100MHz

CROSS TALK

1MHz - 60MHz

60MHz - 100MHz

HIPOT (Isolation Voltage):

1500 Vrms

100% OF PRODUCTION TESTED TO COMPLY WITH

IEEE 802.3 ISOLATION REQUIREMENTS.

LED 3 (Super bright)

VF (FORWARD VOLTAGE) IF=20mA GREEN 2.2V TYP.

AD (DOMINANT WAVELENGTH) IF=20mA GREEN 570nm TYP.

LED 4 (Super bright)

VF (FORWARD VOLTAGE) IF=20mA GREEN 2.2V TYP.

AD (DOMINANT WAVELENGTH) IF=20mA YELLOW 2.1V TYP.

VF (FORWARD VOLTAGE) IF=20mA GREEN 570nm TYP.

AD (DOMINANT WAVELENGTH) IF=20mA YELLOW 590nm TYP.

OPERATING TEMPERATURE: 0°C TO +70°C.

ORIGINATED BY

CHOW WANCHUNG

DATE 2022-04-14

DRAWN BY

TANG YUAN

DATE 2022-04-14

PART NO. / DRAWING NO.

0845-2R1T-E4D

FILE NAME

0845-2R1T-E4D_1.DWG

STANDARD DIM.

TOL. IN INCH

.X

.XX

.XXX

[] METRIC DIM.

AS REF.

UNIT : INCH [mm]

SCALE : N/A

SIZE : A4

REV. : 1 PAGE : 3

SHIELD



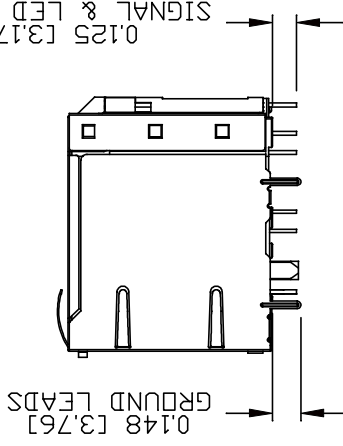
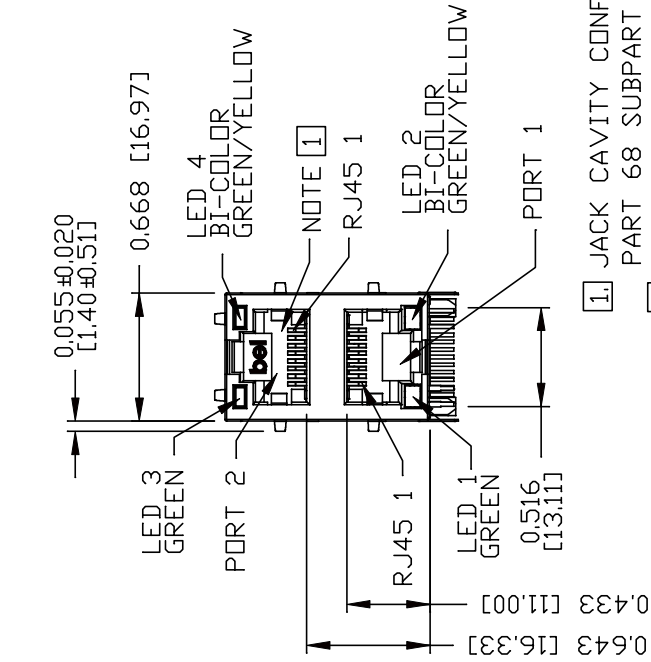
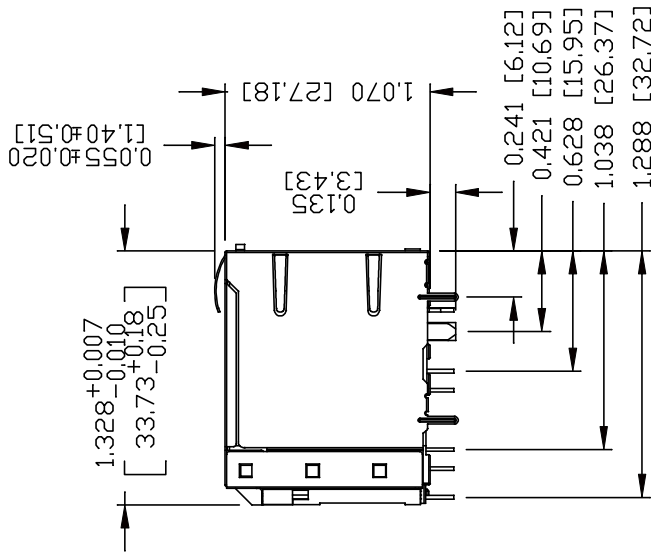
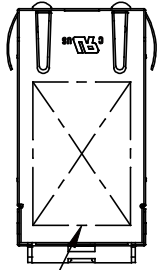
This document is electronically generated. This is a controlled copy if used internally

DC002(2)120214

THE INFORMATION CONTAINED HEREIN IS CONSIDERED "PROPRIETARY" TO BEL FUSE INC. AND SHALL NOT BE COPIED, REPRODUCED OR DISCLOSED WITHOUT THE WRITTEN APPROVAL OF BEL FUSE INC.

RoHS

PRELIMINARY



NOTES:

PLASTIC HOUSING: THERMOPLASTIC PBT, BLACK
 FLAMMABILITY RATING UL 94V-0
 CONTACT PLATING: 50 MICRO-INCH HARD GOLD PLATING OR EQUIVALENT.
 OUTPUT PINS: TIN-COATED COPPER WIRE, DIA 0.018 INCH.
 100 MICRO-INCH MIN MATTE TIN.
 PINS ARE SOLDER DIPPED.
 METAL SHIELD: NICKEL PLATED ON COPPER ALLOY,
 (ALL GROUND LEADS ARE SOLDER DIPPED)

1. JACK CAVITY CONFORMS TO FCC RULES AND REGULATIONS, PART 68 SUBPART F.
2. MARK PART WITH MFG LOGO, MFG NAME, PART NUMBER, DATE CODE AND PATENTED.
3. THE PRODUCT IS RoHS COMPLIANCE.
4. **FUSE** UL RECOGNIZED - FILE #E196366 AND E169987. THE PRODUCT IS PATENTED. THE PATENT NUMBER IS U.S. PAT. 6,840,817
5. THE PART IS RECOMMENDED FOR WAVE SOLDERING. THE SUGGESTED PEAK WAVE SOLDERING CONDITION IS 260°C MAX AND 10 SECONDS MAX.

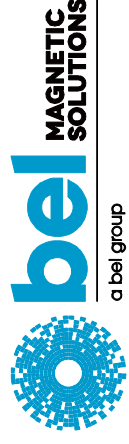
ORIGINATED BY
 ANTON LIAO
 DATE 2022-04-14
 DRAWN BY
 SANDY LIN
 DATE 2022-04-14

TITLE
 2X1 gigabit MagJack®
 (WITH LED)
 PATENTED

PART NO. / DRAWING NO.
 0845-2R1T-E4D
 FILE NAME
 0845-2R1T-E4D_1.DWG

STANDARD DIM. [] METRIC DIM.
 TOL. IN INCH AS REF.
 .X UNIT : INCH [mm]
 .XX SCALE : N/A
 .XXX ±0.010 SIZE : A4

REV. : 1 PAGE : 4



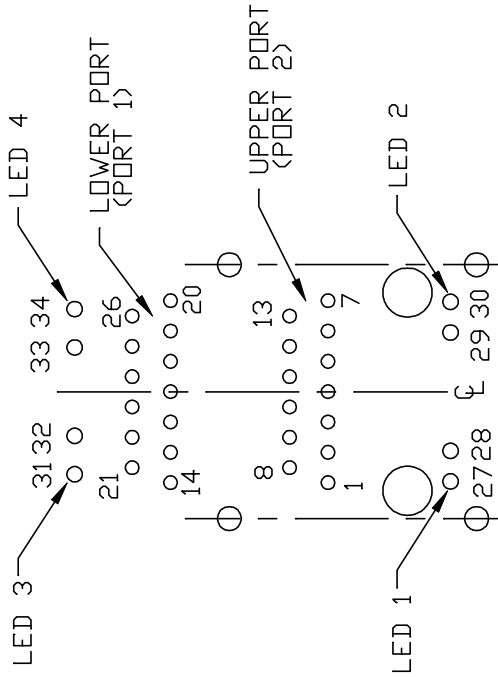
This document is electronically generated. This is a controlled copy if used internally

THE INFORMATION CONTAINED HEREIN IS CONSIDERED 'PROPRIETARY' TO BEL FUSE INC. AND SHALL NOT BE COPIED, REPRODUCED OR DISCLOSED WITHOUT THE WRITTEN APPROVAL OF BEL FUSE INC.

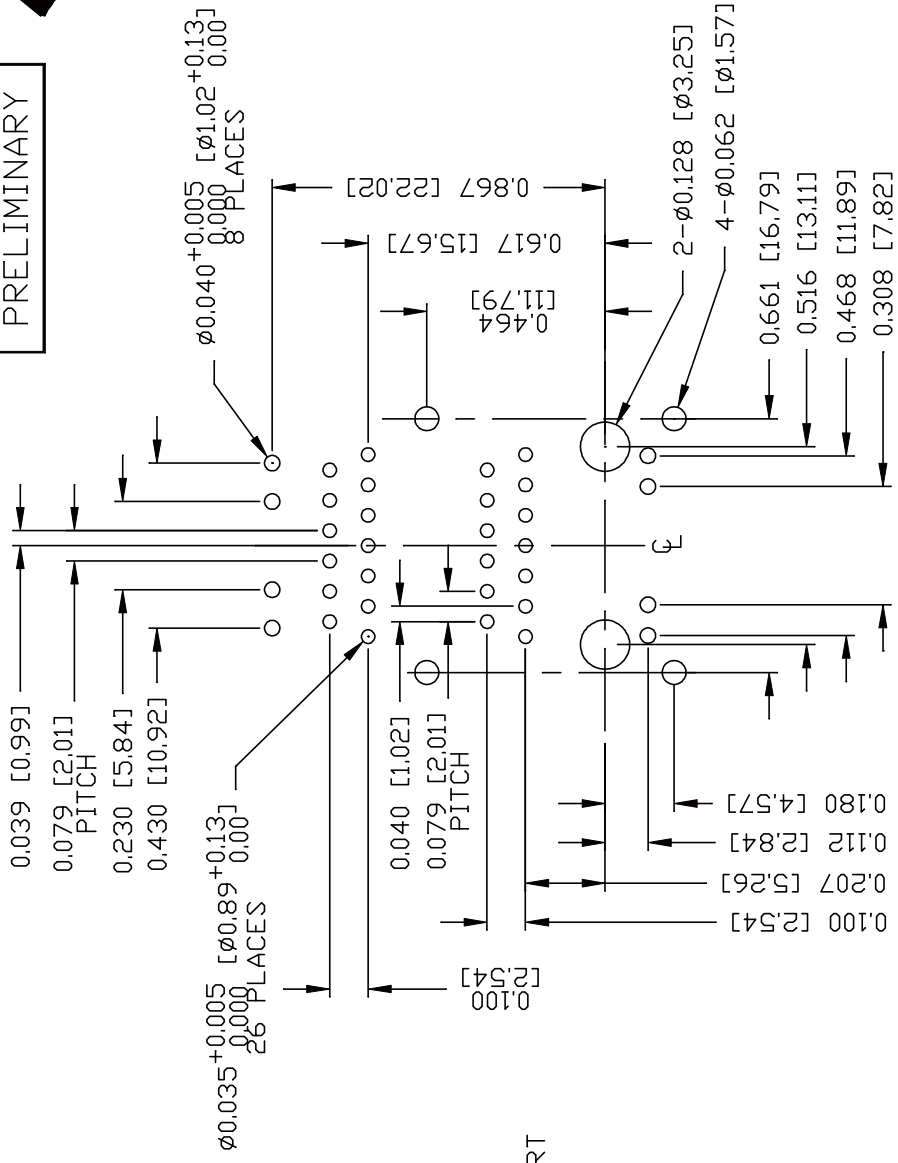


PRELIMINARY

LED CONFIGURATION



PIN-OUT INFORMATION
(COMPONENT SIDE VIEW)



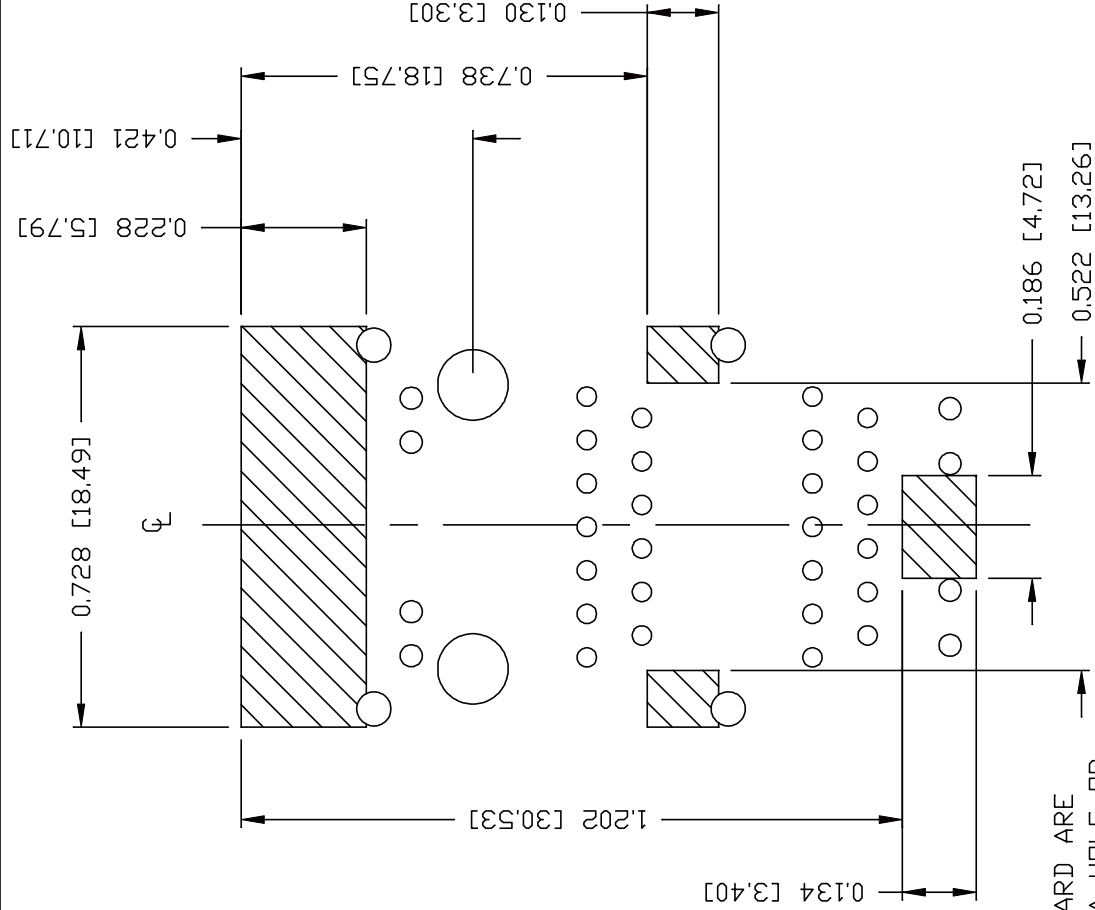
SUGGESTED FOOTPRINT
(COMPONENT SIDE VIEW)

| | | | |
|--|--|--|--|
| REV. : 1 | | PAGE : 5 | |
| ORIGINATED BY ANTON LIAO DATE 2022-04-14 DRAWN BY SANDY LIN DATE 2022-04-14 | | TITLE 2X1 gigabit MagJack® (with LED) PATENTED | |
| PART NO. / DRAWING NO. 0845-2R1T-E4D FILE NAME 0845-2R1T-E4D_1.DWG | | STANDARD DIM. [] METRIC DIM. AS REF. TOL. IN INCH .X .XX .XXX -0.004 UNIT : INCH [mm] SCALE : N/A SIZE : A4 | |
| This document is electronically generated. This is a controlled copy if used internally. | | | |



THE INFORMATION CONTAINED HEREIN IS CONSIDERED 'PROPRIETARY' TO BEL FUSE, INC. AND SHALL NOT BE COPIED, REPRODUCED OR DISCLOSED WITHOUT THE WRITTEN APPROVAL OF BEL FUSE, INC.

PRELIMINARY



NOTES

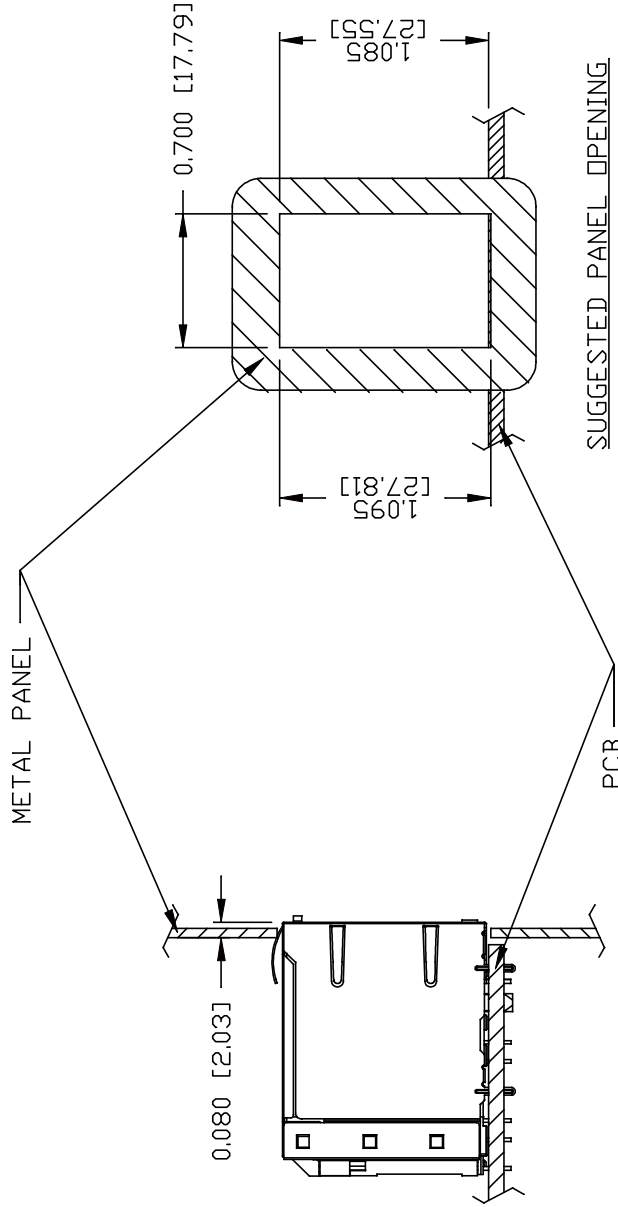
THE SHADED AREA ON THE CUSTOMER BOARD ARE RECOMMENDED TO BE CLEAR OFF ANY VIA HOLE OR COMPONENT PAD.

| | | | |
|---|--|--|-----------|
| REV. : 1 | | PAGE : 6 | |
| STANDARD DIM. [] METRIC DIM. AS REF. | | UNIT : INCH [mm] | |
| TOL. IN INCH | | SCALE : N/A | |
| .X | | ±0.004 | SIZE : A4 |
| .XX | | | |
| .XXX | | | |
| PART NO. / DRAWING NO. 0845-2R1T-E4D | | FILE NAME 0845-2R1T-E4D_1.DWG | |
| TITLE 2X1 gigabit MagJack® (WITH LED) PATENTED | | | |
| ORIGINATED BY ANTON LIAO | | DATE 2022-04-14 | |
| DRAWN BY SANDY LIN | | DATE 2022-04-14 | |
| PC002(2)120214 | | MAGNETIC SOLUTIONS a bel group | |

This document is electronically generated. This is a controlled copy if used internally

THE INFORMATION CONTAINED HEREIN IS CONSIDERED PROPRIETARY TO BEL FUSE INC. AND SHALL NOT BE COPIED, REPRODUCED OR DISCLOSED WITHOUT THE WRITTEN APPROVAL OF BEL FUSE INC.

PRELIMINARY



NOTE:

THE DISTANCE OF PANEL INSIDE SURFACE RELATIVE TO FRONT SURFACE OF PART IS ONLY A SUGGESTION. IN CASE THIS DISTANCE IS DIFFERENT, THE REQUIRED PANEL OPENING DIMENSIONS CHANGE ACCORDINGLY.

PACKING INFORMATION

PACKING TRAY: 0200-9999-H5 (TOP)
0200-9999-H6 (BOTTOM)

PACKING QUANTITY: 40 PCS FINISHED GOODS PER TRAY

6 TRAYS (240 PCS FINISHED GOODS) PER CARTON BOX.

NOTE: CARDBOARD ARE PLACED BETWEEN LAYERS OF PACKING TRAY INSIDE CARTON BOX.
(INCLUDE THE UPPERMOST AND LOWEREST TRAY)

| | |
|-----------------------------|---|
| ORIGINATED BY ANTON LIAO | TITLE 2X1 gigabit MagJack® (WITH LED) PATENTED |
| DATE 2022-04-14 | |
| DRAWN BY SANDY LIN | |
| DATE 2022-04-14 | |

| | | |
|---|---|----------------------------|
| PART NO. / DRAWING NO. 0845-2R1T-E4D | STANDARD DIM. TOL. IN INCH .X .XX .XXX ±0.004 | [] METRIC DIM. AS REF. |
| FILE NAME 0845-2R1T-E4D_1.DWG | UNIT : INCH [mm] | |
| | SCALE : N/A | |
| | SIZE : A4 | |

