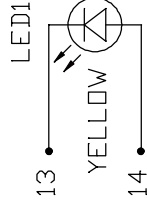


THE INFORMATION CONTAINED HEREIN IS CONSIDERED "PROPRIETARY" TO BEL FUSE, INC. AND SHALL NOT BE COPIED, REPRODUCED OR DISCLOSED WITHOUT THE WRITTEN APPROVAL OF BEL FUSE, INC.

PRELIMINARY

RoHS



LED1 POLARITY		LED2 POLARITY		
PIN 13	PIN 14	PIN 15	PIN 16	PIN 17
-	+	-	+	-
	YELLOW			
				ORANGE
				GREEN

ELECTRICAL CHARACTERISTICS @ 25°C

URNS RATIO

- TP1 1CT : 1CT ±2%
- TP2 1CT : 1CT ±2%
- TP3 1CT : 1CT ±2%
- TP4 1CT : 1CT ±2%

DCL @ 100kHz/100mVRMS

8mA DC BIAS (-40°C - 85°C) 160µH MIN.

INS. LOSS

1MHZ TO 150MHZ -0.004<fMHZ>-0.4 dB MAX

RET. LOSS

1MHZ-40MHZ -20 dB MIN

40.1MHZ-150MHZ -20+15LOG<f/40MHZ> dB MIN

CROSSTALK

1MHZ - 40MHZ -35 dB MIN

40.1MHZ-150MHZ -35+15LOG<f/40MHZ> dB MIN

CM TO CM REJ

1MHZ - 150MHZ -25 dB MIN

HIPOUT (Isolation Voltage): 2250 VDC

100% OF PRODUCTION TESTED TO COMPLY WITH

IEEE 802.3 ISOLATION REQUIREMENTS.

OPERATING TEMPERATURE: -40°C TO 85°C

LED 1 (HI-TEMP)

Vf (FORWARD VOLTAGE) IF=20mA YELLOW 2.1V TYP.

λD (DOMINANT WAVELENGTH) IF=20mA YELLOW 590nm TYP.

LED 2 (HI-TEMP)

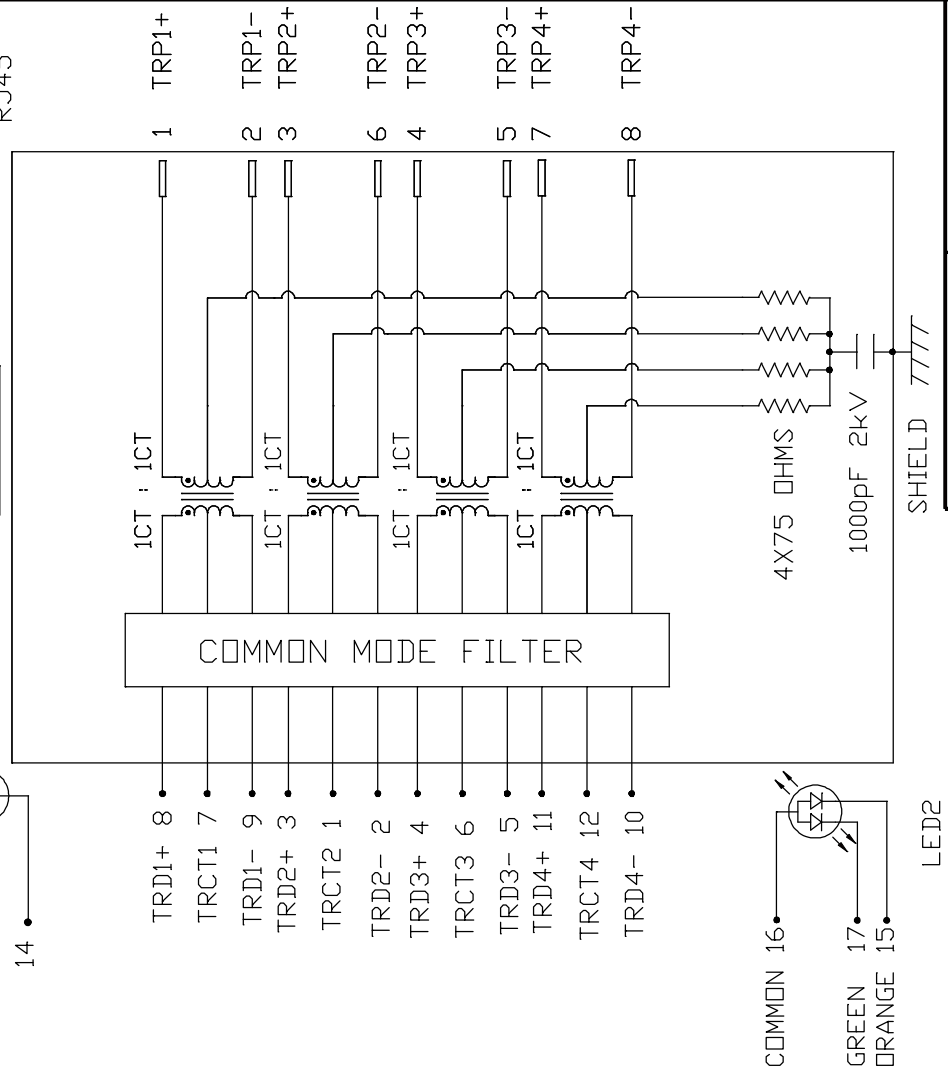
Vf (FORWARD VOLTAGE) IF=20mA GREEN 2.2V TYP.

λD (DOMINANT WAVELENGTH) IF=20mA ORANGE 2.0V TYP.

GREEN 570nm TYP.

ORANGE 605nm TYP.

SCHEMATIC

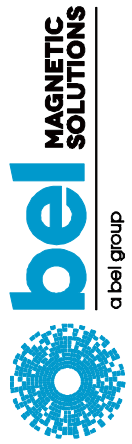


REV. : 1 PAGE : 2

STANDARD DIM. [ ] METRIC DIM. AS REF.	PART NO. / DRAWING NO.	TITLE 2.5 gigabit MagJack® (Ultra Low Profile) PATENTED
TOL. IN INCH	L836-1J1T-KDN	
.X .XX .XXX	FILE NAME L836-1J1T-KDN_1.DWG	
UNIT : INCH [mm]		
SCALE : N/A		
SIZE : A4		

This document is electronically generated. This is a controlled copy if used internally

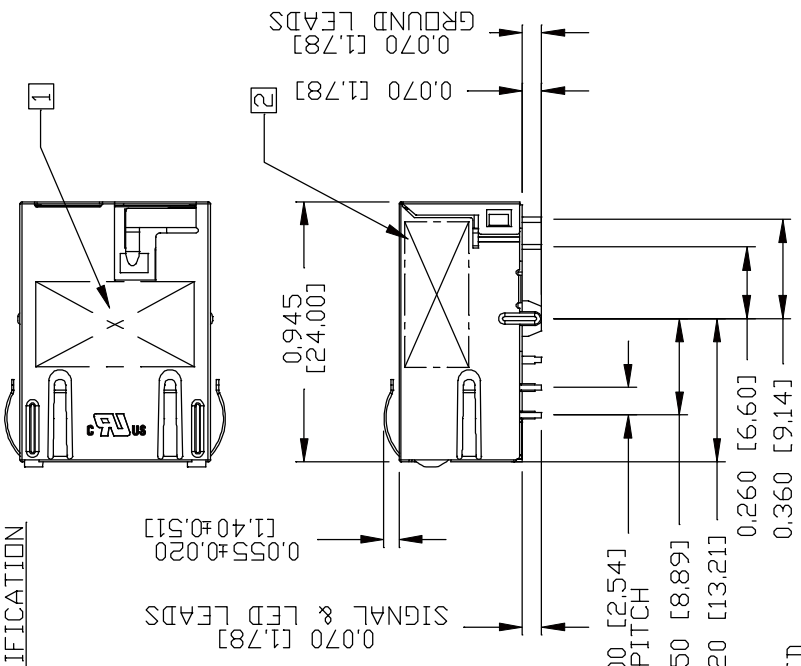
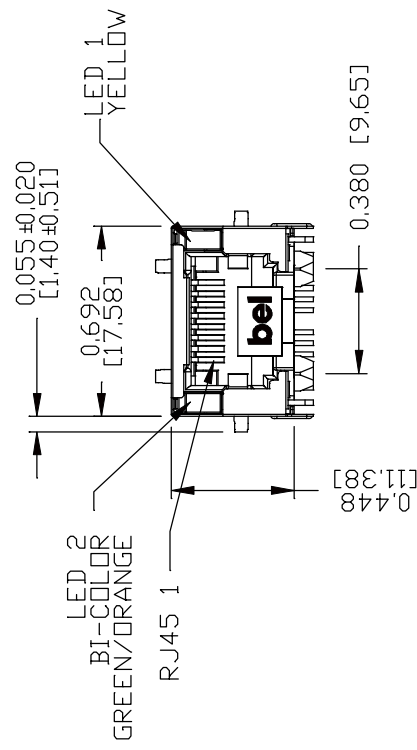
DC002(2)120214



THE INFORMATION CONTAINED HEREIN IS CONSIDERED "PROPRIETARY" TO BEL FUSE INC. AND SHALL NOT BE COPIED, REPRODUCED OR DISCLOSED WITHOUT THE WRITTEN APPROVAL OF BEL FUSE INC.

PRELIMINARY

MECHANICAL SPECIFICATION



NOTES:

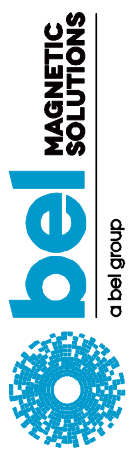
- 1. PLASTIC HOUSING: THERMOPLASTIC PA, BLACK
- 2. FLAMMABILITY RATING UL 94V-0
- 3. CONTACTS: 30 MICRO-INCH HARD GOLD PLATING OR EQUIVALENT.
- 4. OUTPUT PINS: TIN-COATED COPPER WIRE, DIA 0.018 INCH.
- 5. METAL SHIELD: 100 MICRO-INCH MIN MATTE TIN, PINS ARE SOLDER DIPPED, NICKEL PLATED ON COPPER ALLOY.
- 6. <ALL GROUND LEADS ARE SOLDER DIPPED>
- 7. <MARK PART WITH PART NUMBER, DATE CODE AND PATENTED.>
- 8. <MARK PART WITH MFG. LOGO, MFG. NAME.>
- 9. 3. THE PRODUCT IS RoHS COMPLIANT.
- 10. 4. JACK CAVITY CONFORMS TO FCC RULES AND REGULATIONS.
- 11. PART 68 SUBPART F,

6. THE AXIAL RETENTION FORCE OF RJ PORT IS 15LBS MIN.  
 7. THE PART IS RECOMMENDED FOR WAVE SOLDERING. THE SUGGESTED PEAK WAVE SOLDERING CONDITION IS 260°C MAX AND 10 SECONDS MAX.

**FAI** us UL RECOGNIZED - FILE #E196366 AND E169987.

5. THE PRODUCT IS PATENTED, THE PATENT NUMBER ARE U.S. PAT. 6,840,817 AND U.S. PAT. 7,123,117.

REV. : 1		PAGE : 3	
<b>ORIGINATED BY</b> LI QUANKUN <b>DATE</b> 2022-12-19 <b>DRAWN BY</b> OLIVER ZHANG <b>DATE</b> 2022-12-19		<b>TITLE</b> 2.5 gigabit MagJack® (Ultra Low Profile) PATENTED	
<b>PART NO. / DRAWING NO.</b> L836-1J1T-KDN <b>FILE NAME</b> L836-1J1T-KDN_1.DWG		<b>STANDARD DIM.</b> TOL. IN INCH .X .XX .XXX	
[ ] METRIC DIM. AS REF.		UNIT : INCH [mm] SCALE : N/A SIZE : A4	



DC002(2)120214 This document is electronically generated. This is a controlled copy if used internally

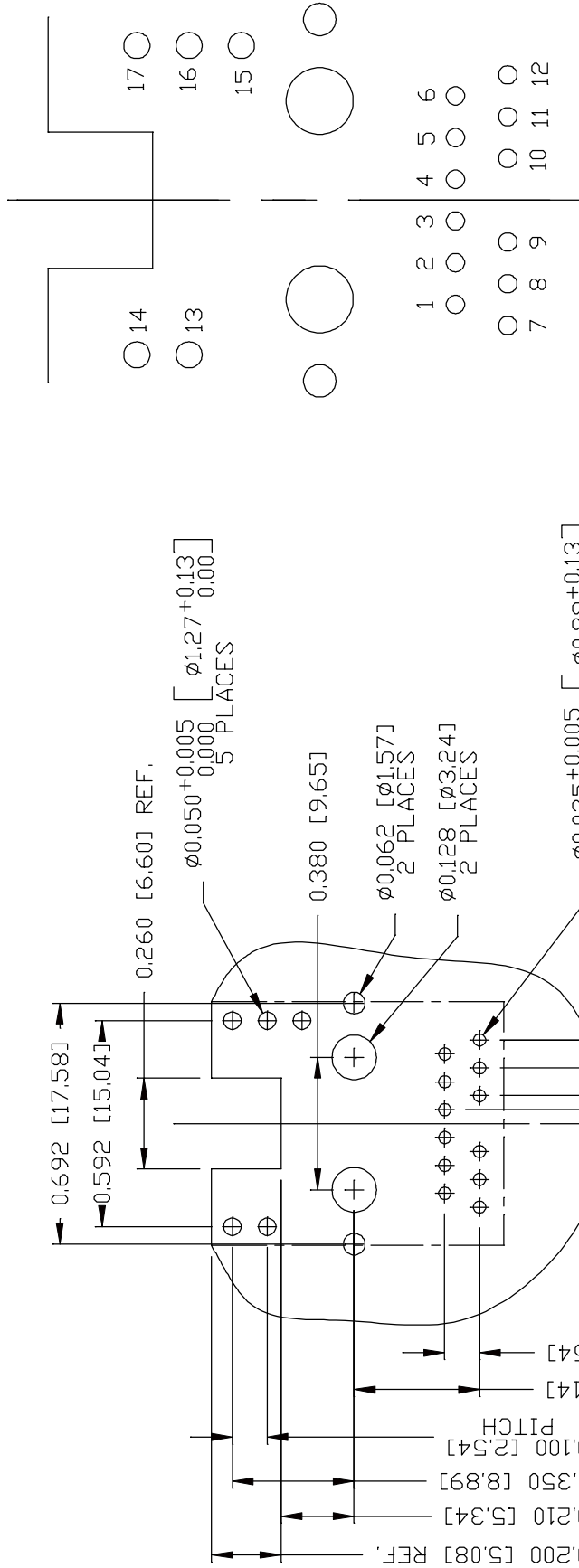
THE INFORMATION CONTAINED HEREIN IS CONSIDERED "PROPRIETARY" TO BEL FUSE, INC. AND SHALL NOT BE COPIED, REPRODUCED OR DISCLOSED WITHOUT THE WRITTEN APPROVAL OF BEL FUSE, INC.

RoHS

PRELIMINARY

RECOMMENDED PCB FOOTPRINT

COMPONENT SIDE VIEW



PIN-OUT INFORMATION

SCALE 1:5:12

FOR ONE UNIT

<b>ORIGINATED BY</b> LI QUANKUN <b>DATE</b> 2022-12-19 <b>DRAWN BY</b> OLIVER ZHANG <b>DATE</b> 2022-12-19		<b>TITLE</b> 2.5 gigabit MagJack® (Ultra Low Profile) PATENTED		<b>PART NO. / DRAWING NO.</b> L836-1J1T-KDN <b>FILE NAME</b> L836-1J1T-KDN_1.DWG	<b>STANDARD DIM. TOL. IN INCH</b> .X .XX .XXX	<b>[ ] METRIC DIM. AS REF.</b> UNIT : INCH [mm] SCALE : N/A SIZE : A4	<b>REV. :</b> 1 <b>PAGE :</b> 4
---------------------------------------------------------------------------------------------------------------------------	--	-------------------------------------------------------------------------	--	-------------------------------------------------------------------------------------------	--------------------------------------------------------	--------------------------------------------------------------------------------	------------------------------------



This document is electronically generated. This is a controlled copy if used internally

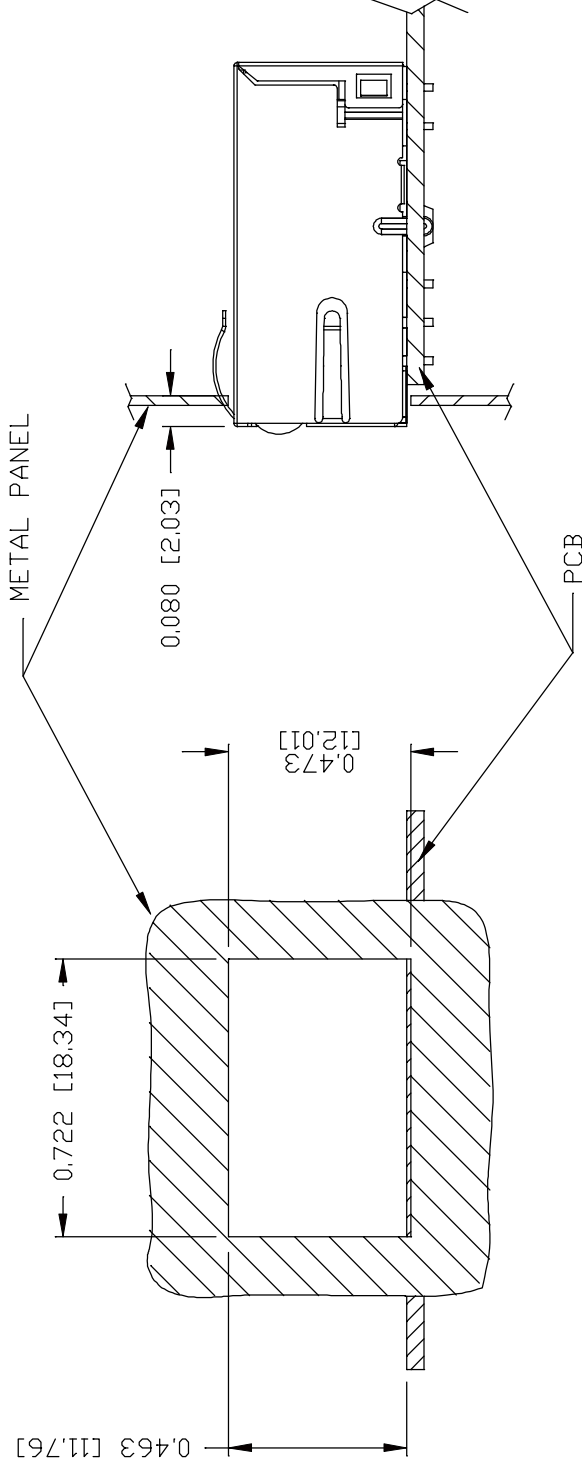
PC002(2)120214

THE INFORMATION CONTAINED HEREIN IS CONSIDERED "PROPRIETARY" TO BEL FUSE, INC. AND SHALL NOT BE COPIED, REPRODUCED OR DISCLOSED WITHOUT THE WRITTEN APPROVAL OF BEL FUSE, INC.

PRELIMINARY

RoHS

SUGGESTED PANEL OPENING



NOTE:

THE DISTANCE OF PANEL INSIDE SURFACE RELATIVE TO FRONT SURFACE OF PART IS ONLY A SUGGESTION. IN CASE THIS DISTANCE IS DIFFERENT, THE REQUIRED PANEL OPENING DIMENSIONS CHANGE ACCORDINGLY.

TRAY PACKING INFORMATION

PACKING TRAY : 0200-9999-E4 (TOP)  
0200-9999-E5 (BOTTOM)

PACKING QUANTITY : 60 PCS FINISHED GOODS PER TRAY

11 TRAYS (660 PCS FINISHED GOODS) PER CARTON BOX

NOTE : CARDBOARDS ARE PLACED BETWEEN LAYERS OF PACKING TRAY INSIDE CARTON BOX  
(INCLUDE THE UPPERMOST AND LOWERMOST TRAY)

REV. : 1		PAGE : 5	
ORIGINATED BY LI QUANKUN DATE 2022-12-19 DRAWN BY OLIVER ZHANG DATE 2022-12-19		PART NO. / DRAWING NO. L836-1J1T-KDN FILE NAME L836-1J1T-KDN_1.DWG	
TITLE 2.5 gigabit MagJack® (Ultra Low Profile) PATENTED		STANDARD DIM. TOL. IN INCH X .XX .XXX ±0.005 [ ] METRIC DIM. AS REF. UNIT : INCH [mm] SCALE : N/A SIZE : A4	
bel a bel group		RoHS MAGNETIC SOLUTIONS	

This document is electronically generated. This is a controlled copy if used internally