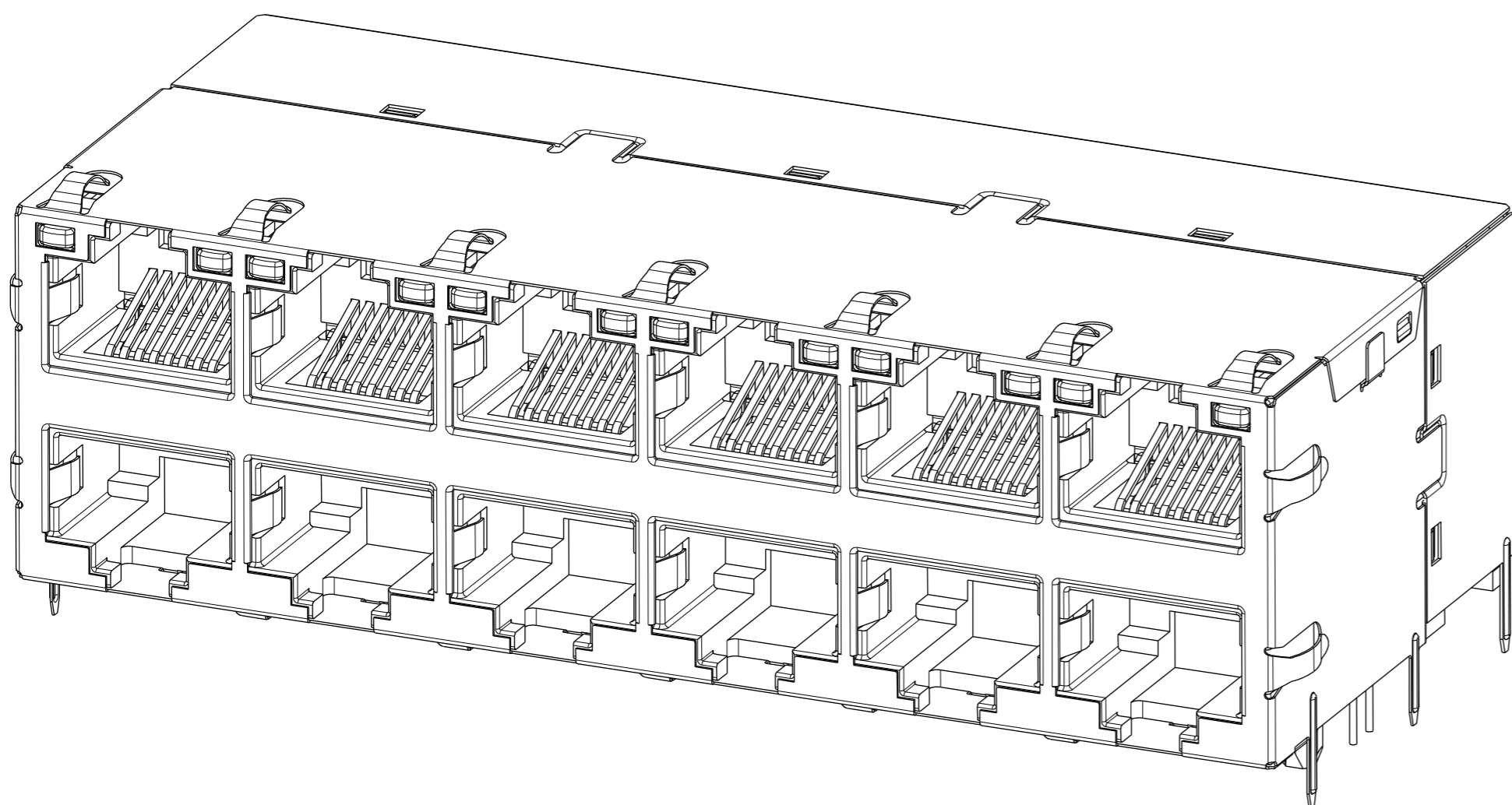


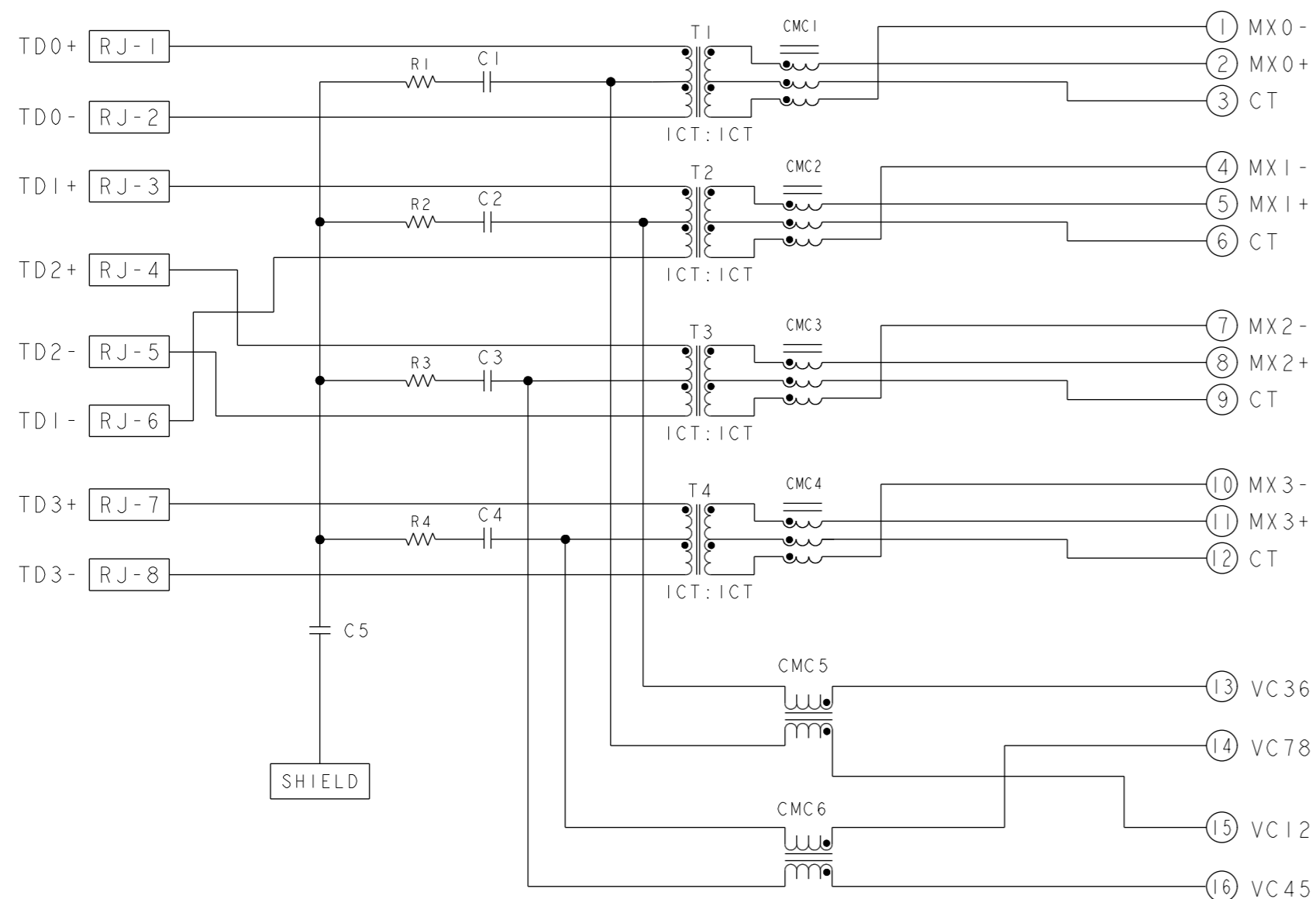
THIS DRAWING AND THE SUBJECT MATTER SHOWN THEREON ARE CONFIDENTIAL AND THE PROPERTY OF BEL/STEWART/TRP CONNECTOR AND SHALL NOT BE REPRODUCED, COPIED, OR USED IN ANY MANNER WITHOUT THE WRITTEN CONSENT OF TRP CONNECTOR.

PRODUCT MAY BE PROTECTED BY ONE OR MORE OF THE FOLLOWING US PATENTS:
 5736910 5939955 6425781 6428361 6554638 6840817 7123117
 7429195 7717749 7808751 6217391 6149050 7924130

REVISIONS				
P	LYR	DESCRIPTION	DATE	APPD
1		INITIAL RELEASE	10MAY2021	RL TY



S9UFG05ET 5G 4PPOE CIRCUIT $\Delta\Delta$
 TOP AND BOTTOM PORTS



C1-C4 = 22nF, 100V, CAPACITORS
 C5 = 1000pF, 3kV, CAPACITOR
 R1-R4 = 75 Ohms, 1/16W, RESISTORS

1. MATERIALS:
 PLASTIC HOUSING: BLACK, THERMOPLASTIC FLAMMABILITY RATING UL 94V-0
 SHIELD: BRASS OR STAINLESS STEEL, PREPLATED WITH 0.76um MIN SEMI-BRIGHT NICKEL, POST DIPPED WITH 2.54um MIN SAC SOLDER OR PURE TIN SOLDER DIP ON SOLDER TAILS.
 CONTACTS: PHOSPHOR BRONZE, 1.27um MIN OVERALL NICKEL UNDERPLATE WITH SELECT 1.27um MIN GOLD AT MATING INTERFACE AND 2.54um MIN MATTE TIN ON SOLDER TAILS.
 LED: DIFFUSED EPOXY LENS, CARBON STEEL LEAD FRAME TAILS OF LED ARE PREPLATED WITH 2.03um MIN SILVER OVER 1.02um MIN NICKEL UNDERPLATE OVER 1.02um MIN COPPER UNDERPLATE. POST-PLATED WITH 2.54um MIN MATTE TIN AND/OR SAC SOLDER DIP OR PURE TIN SOLDER DIP

Δ 2 MAGNETICS
 APPLICATION: 5G BASE-T, 4PPOE
 IMPEDANCE: 100 OHMS
 TURNS RATIO (CHIP: CABLE): 1:1 ALL FOUR PAIRS
 OPEN CIRCUIT INDUCTANCE (OCL):
 ALL CHANNELS 120uH MIN @ 100kHz, 0.1 VRMS WITH 23mA DC BIAS
 ALL CHANNELS 160uH MIN @ 100kHz, 0.1 VRMS WITH 8mA DC BIAS
 ALL FOUR PAIRS BI-DIRECTIONAL
 POE CURRENT: 1A DC MAX
 PERFORMANCE @ 25°C (WHERE f IS FREQUENCY IN MHz):
 (a) INSERTION LOSS (MIN)
 1MHz TO 200MHz = -0.8 dB
 200MHz TO 250MHz = -1.4 dB
 (b) RETURN LOSS (MAX)
 1MHz TO 40MHz = -18 dB
 40MHz TO 250MHz = -18+10*LOG10(f/40) dB
 (c) CROSSTALK ATTENUATION (MAX)
 1MHz TO 250MHz = -20dB
 (d) COMMON MODE REJECTION (MAX)
 1MHz TO 250MHz = -20dB
 250MHz TO 500MHz = -20+25*LOG10(f/250)
 ISOLATION VOLTAGE: 2250VDC(MAX) FOR 60 SECONDS WITH A RISE TIME OF 500V/SEC AND WITH ALL PORTS CONNECTED.

Δ 3 PART NUMBER, DATE CODE AND COUNTRY OF ORIGIN ARE LOCATED IN APPROXIMATE AREA SHOWN.
 DATE CODE: YYWWD WHERE "YY" IS YEAR, "WW" IS WORK WEEK, "D" IS DAY OF WEEK, WITH SUNDAY = 1

Δ 4 TRP CONNECTOR LOGO AND AGENCY APPROVAL LOGO ARE LOCATED IN APPROXIMATE AREA SHOWN.

5. OPERATING TEMP: FROM -40°C TO 85°C.

6. RJ45 CAVITY CONFORMS TO FCC RULES AND REGULATION PART 68 SUBPART F.

Δ 7 INDICATED MAGNETIC CONNECTIONS ARE SYMMETRICAL AND SUPPORT AUTO-MDI/MDIX.

Δ 8 DATUM AND BASIC DIMENSION ESTABLISHED BY CUSTOMER.

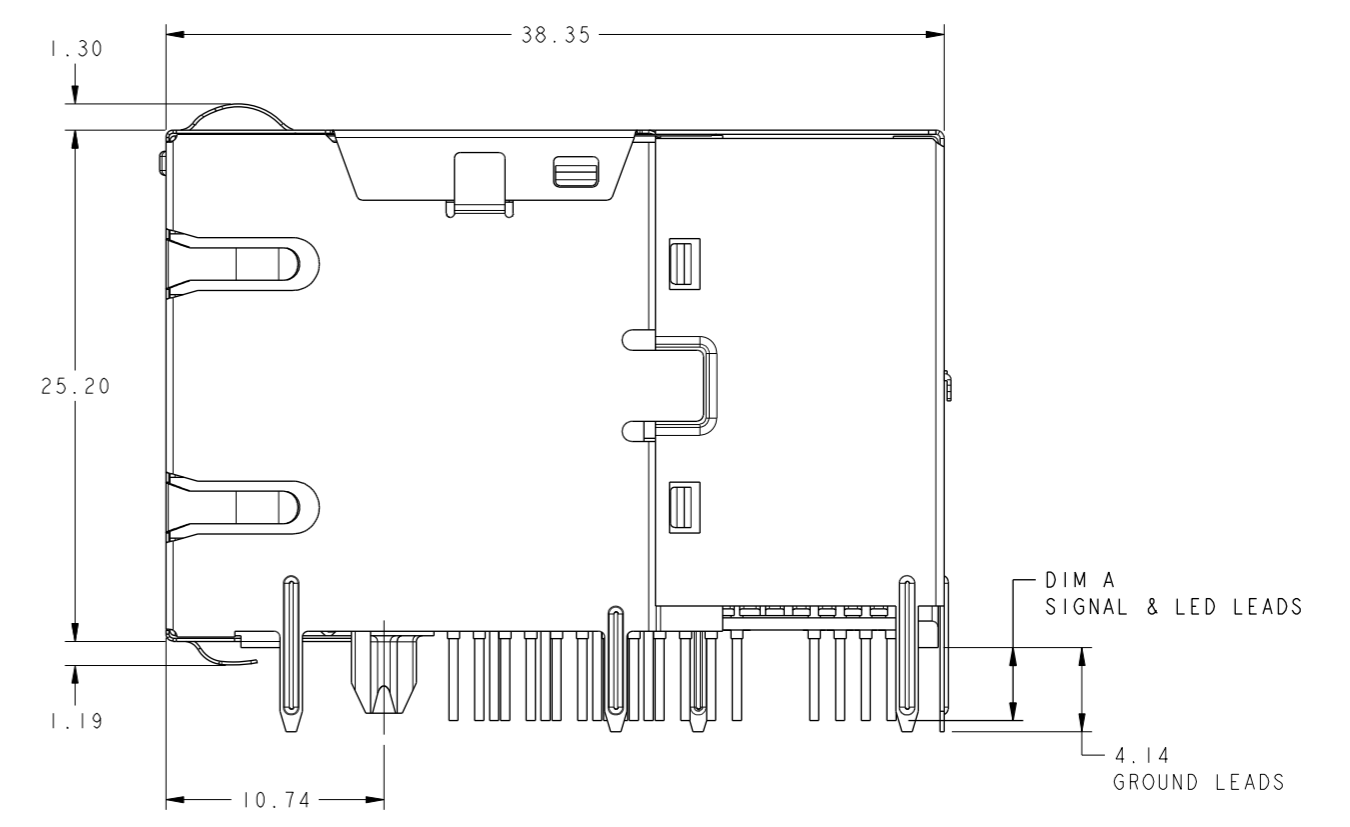
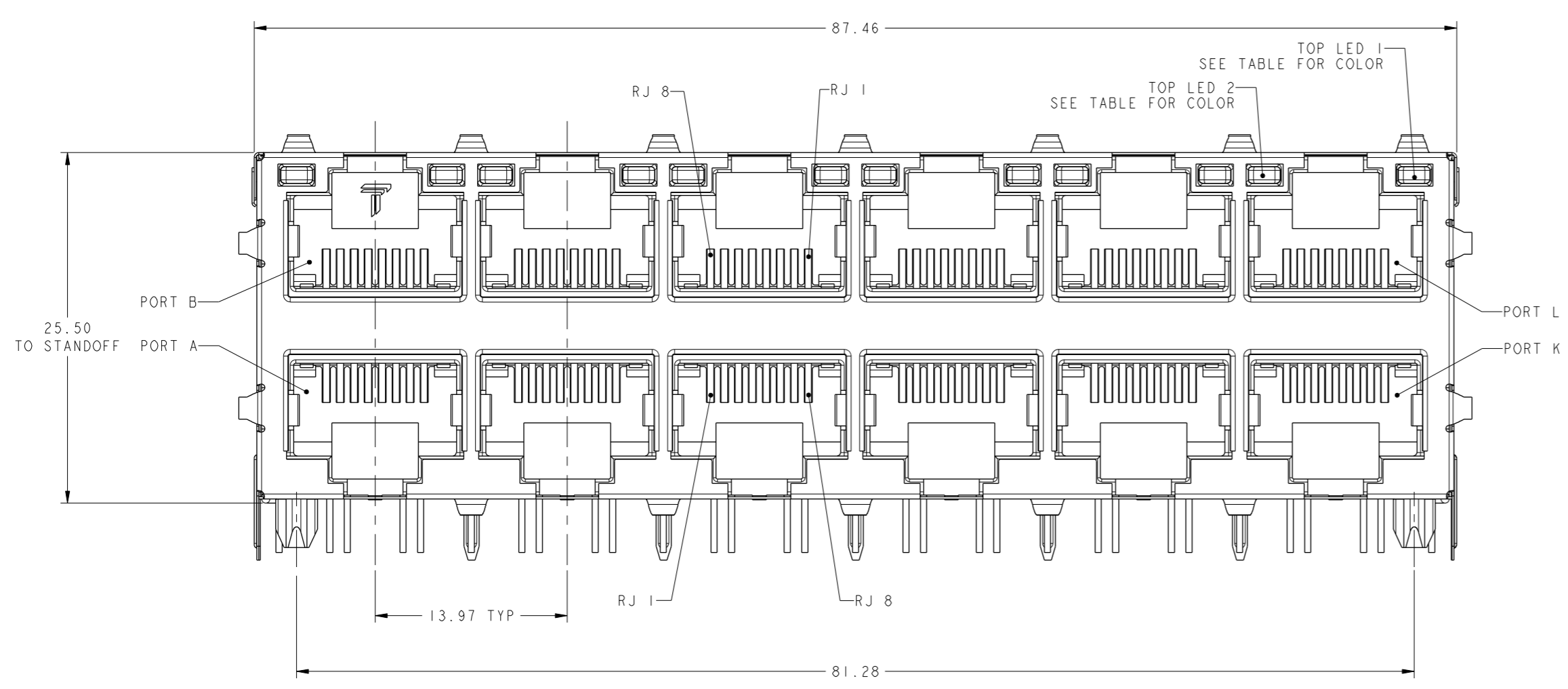
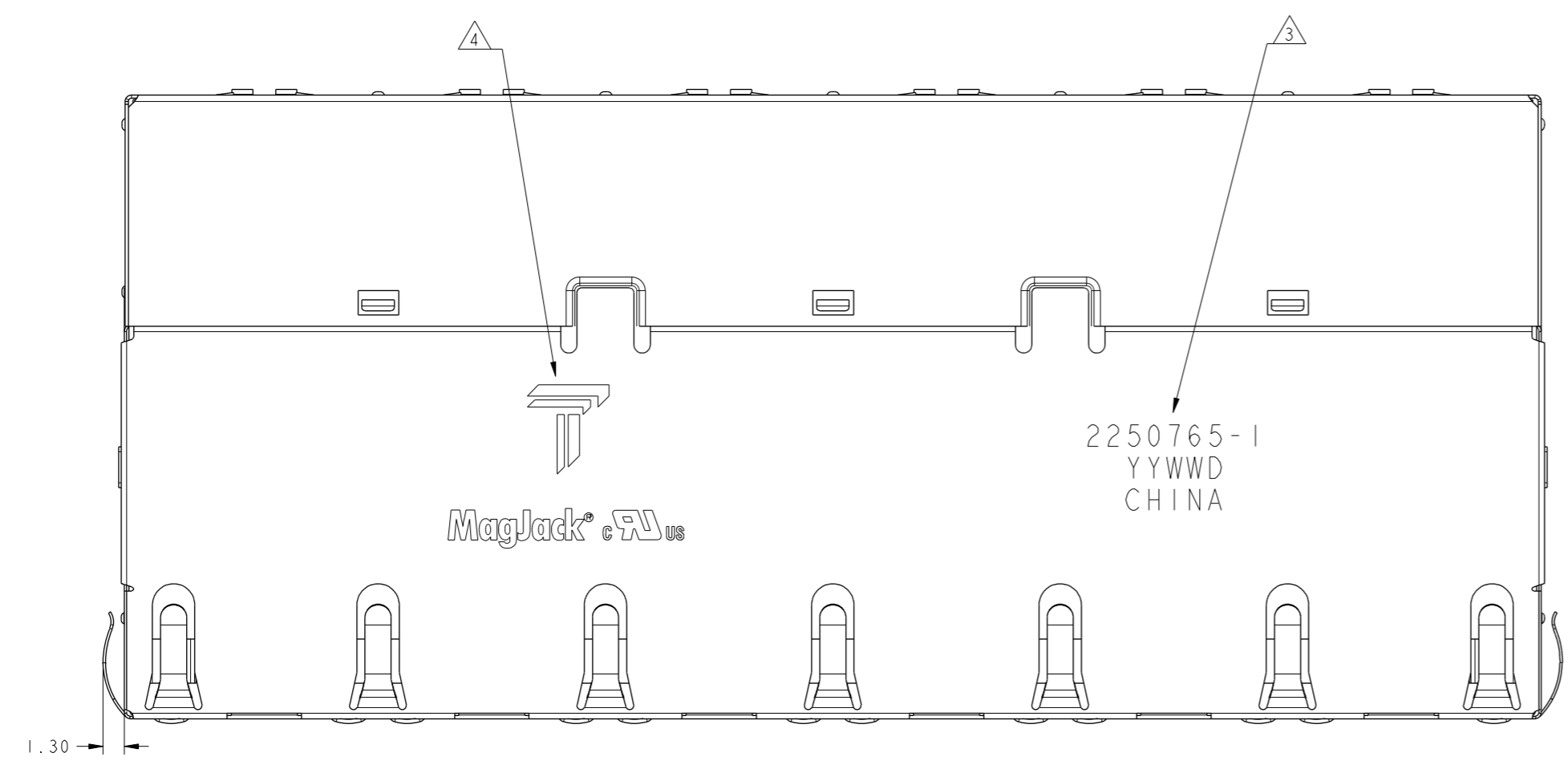
Δ 9 BASIC DIMENSION ESTABLISHED BY CUSTOMER, BUT MAY NOT BE GREATER THAN 5.08mm.

Δ 10 LEDS ARE DRIVEN WITH CONSTANT CURRENT AT APPROX 20mA
 LED COLOR: DOMINANT WAVELENGTH (λ D): GREEN 568 nm TYP. @ IF=20mA
 FORWARD VOLTAGE (VF): GREEN 2.2V TYP. @ IF=20mA
 DOMINANT WAVELENGTH (λ D): ORANGE 605 nm TYP. @ IF=20mA
 FORWARD VOLTAGE (VF): ORANGE 2.1V TYP. @ IF=20mA

11. THE PARTS ARE RECOMMENDED FOR WAVE SOLDERING PROCESS, PEAK TEMPERATURE 260°C MAX, 10 SECONDS MAX.

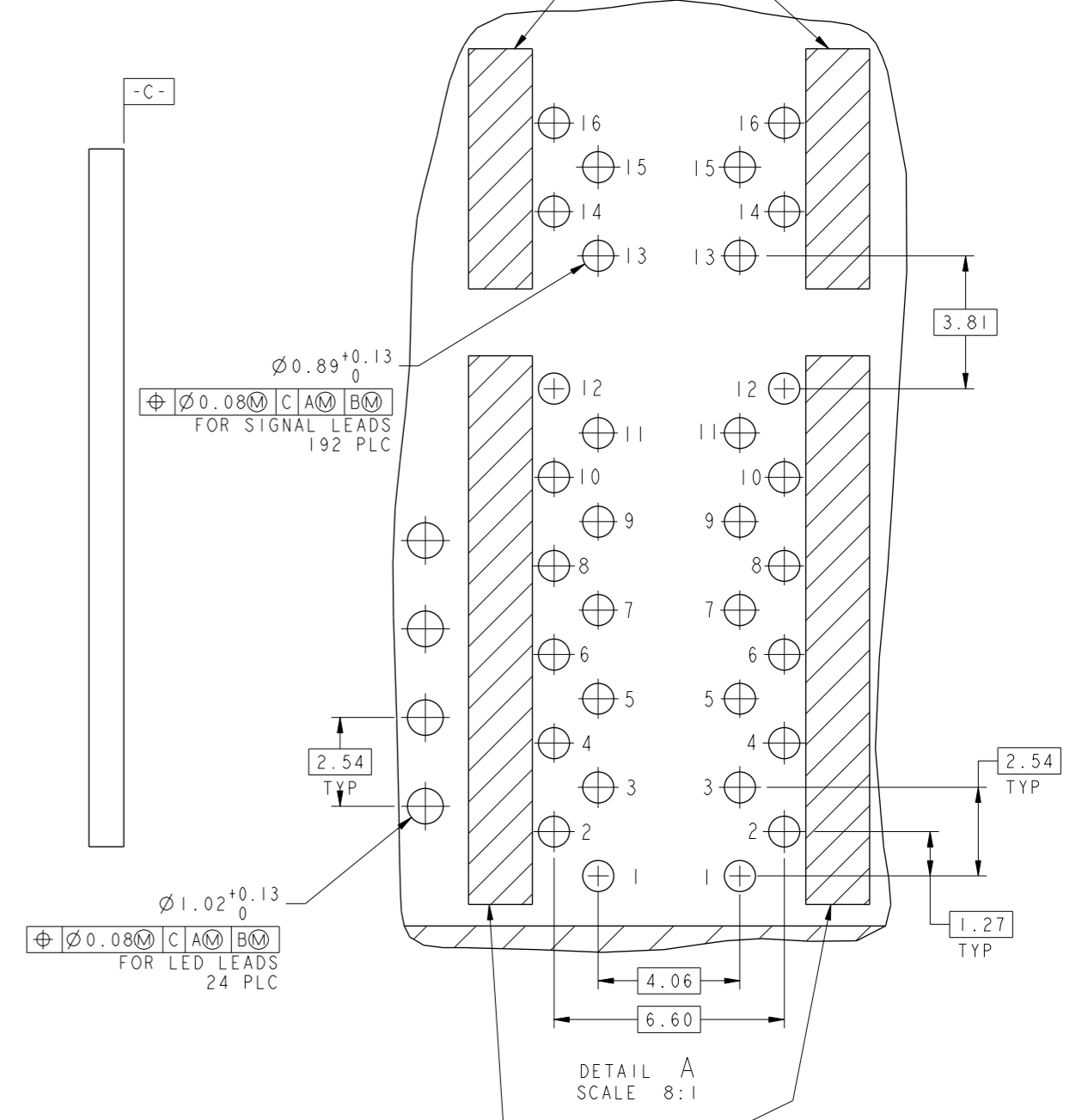
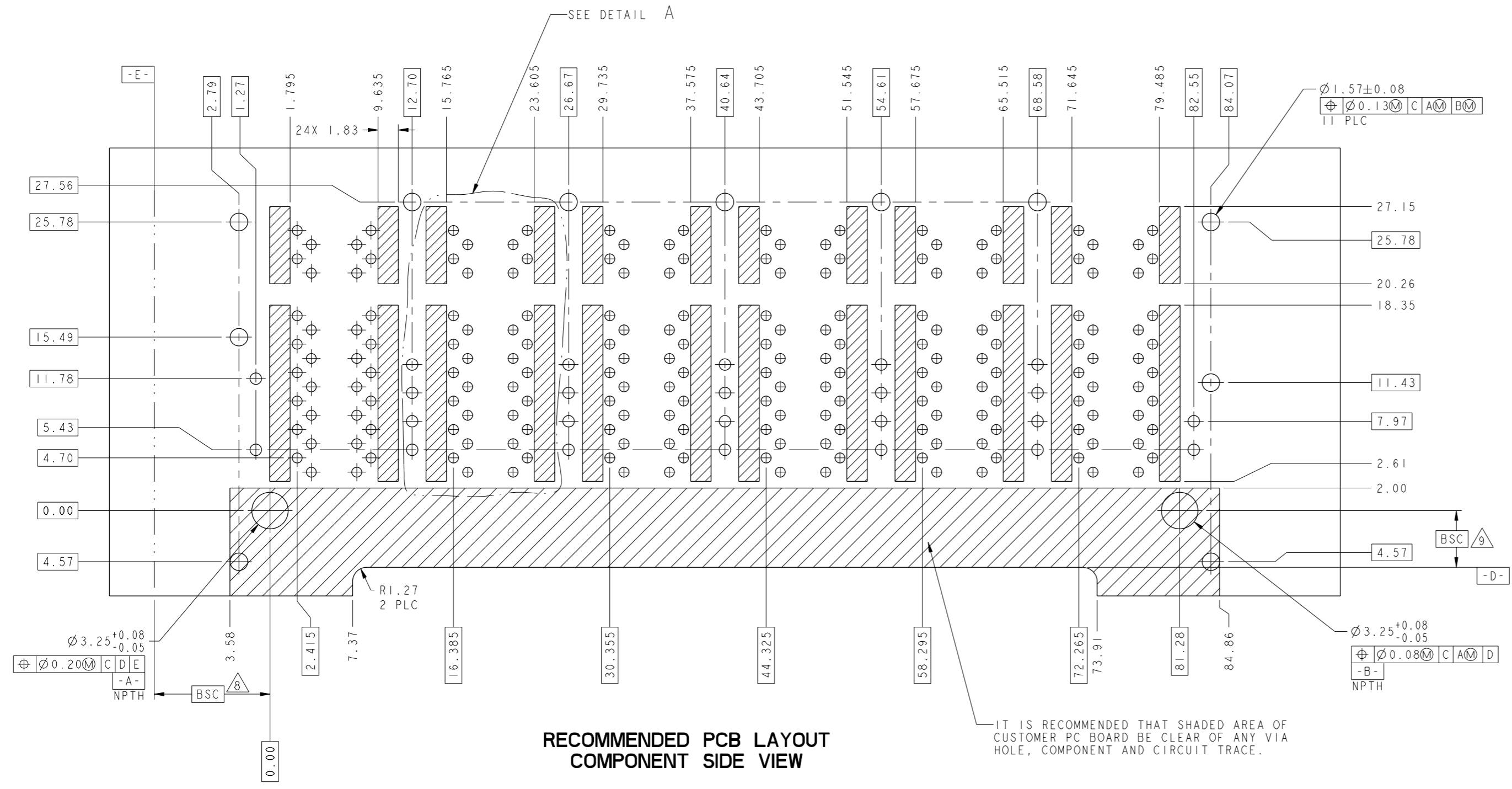
3.60	GREEN/ORANGE	GREEN/ORANGE	2250765-1
DIM A	TOP LED 2	TOP LED 1	PART NUMBER

THIS DRAWING IS A CONTROLLED DOCUMENT AND COMPLIANT TO ASME Y14.5M		DNW: RICK LI 10MAY2021	 TRP CONNECTOR a bel group DONGGUAN CHINA
DIMENSIONS: mm		CHK: TERRY LIN 10MAY2021	
TOLERANCES UNLESS OTHERWISE SPECIFIED:		APPD: TONY YUAN 10MAY2021	
0 PLC ±0.25 1 PLC ±0.25 2 PLC ±0.25 3 PLC ± 4 PLC ± ANGLES ± APPLICATION SPEC	MODEL NAME MAGJACK STACK 4PPOE	DESC 2X6 S9UFG05ET 5G 4PPOE 100W CIRCUIT, W/ TOP LED	SIZE A1
PRODUCT SPEC 108-104017	APPLICATION SPEC	CAGE CODE C=2250765	RESTRICTED TO SCALE NTS SHEET 1 OF 5 REV 1

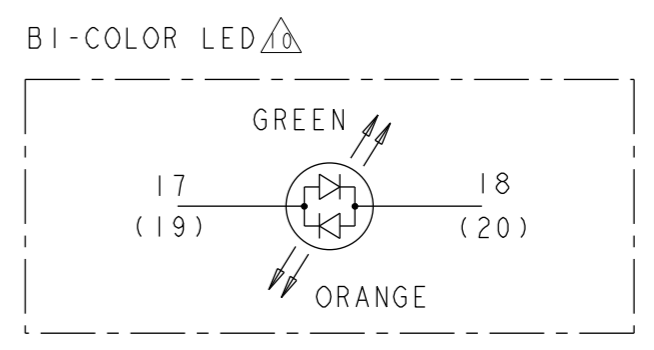
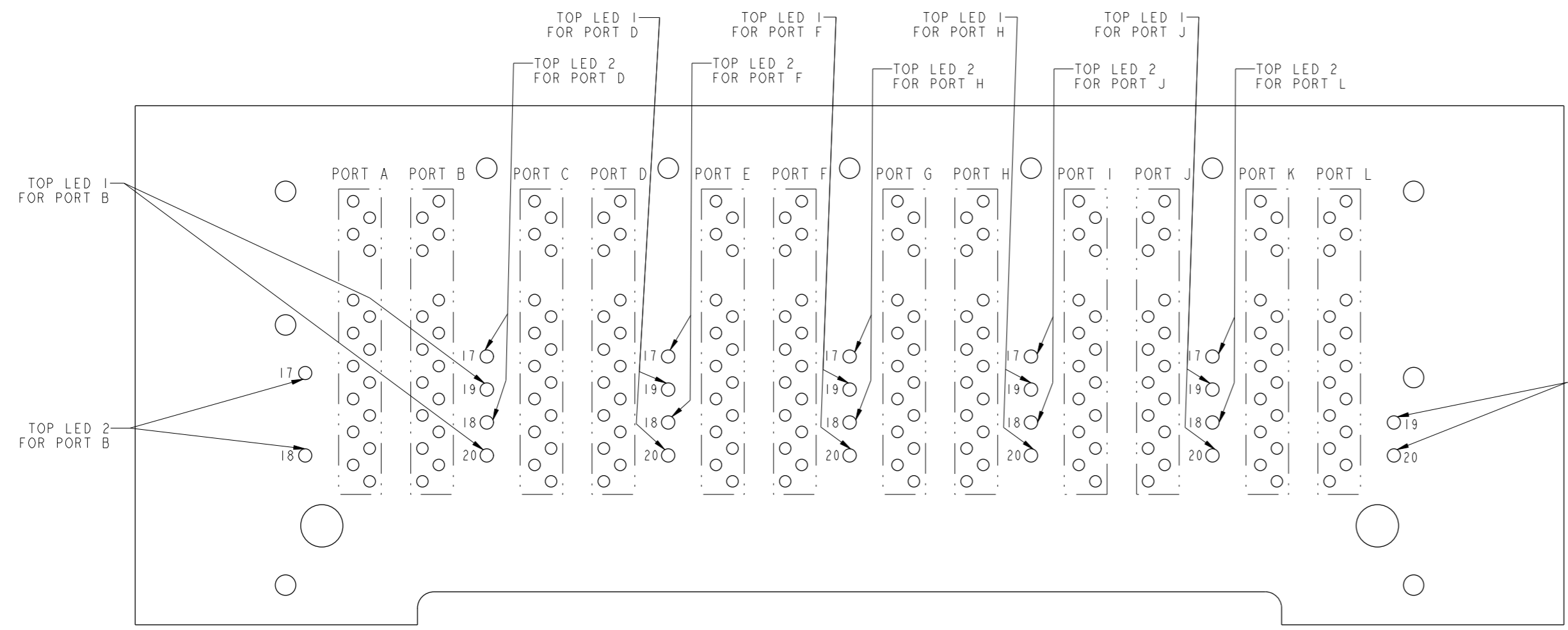


THIS DRAWING IS A CONTROLLED DOCUMENT AND COMPLIANT TO ASME Y14.5M		DWN: RICK LI TOMAT2021 CHK: TERRY LIN TOMAT2021 APPR: TONY YUAN TOMAT2021	trp CONNECTOR a bel group DONGGUAN CHINA
DIMENSIONS: mm	TOLERANCES UNLESS OTHERWISE SPECIFIED: 0 PLC ±0.25 1 PLC ±0.25 2 PLC ±0.25 3 PLC ± 4 PLC ± ANGLES ± APPLICATION SPEC	MODEL NAME: MAGJACK STACK 4PPOE DESC: 2X6 S9UFG05ET 5G 4PPOE 100W CIRCUIT, W/ TOP LED	
PRODUCT SPEC: 108-104017	APPLICATION SPEC:	SIZE: A1 CAGE CODE: C=2250765 DRAWING NO:	RESTRICTED TO:
CUSTOMER DRAWING		SCALE: NTS	SHEET 2 OF 5 REV 1

POE STUB PINS AREA. IT IS RECOMMENDED THAT ANY VIA HOLES, TRACES WHICH HAVE EQUAL POTENTIAL AS THE PHY SIDE SIGNALS OR GROUND SHOULD HAVE ENOUGH CLEARANCE FROM THE SHADED AREA FOR ISOLATION VOLTAGE.

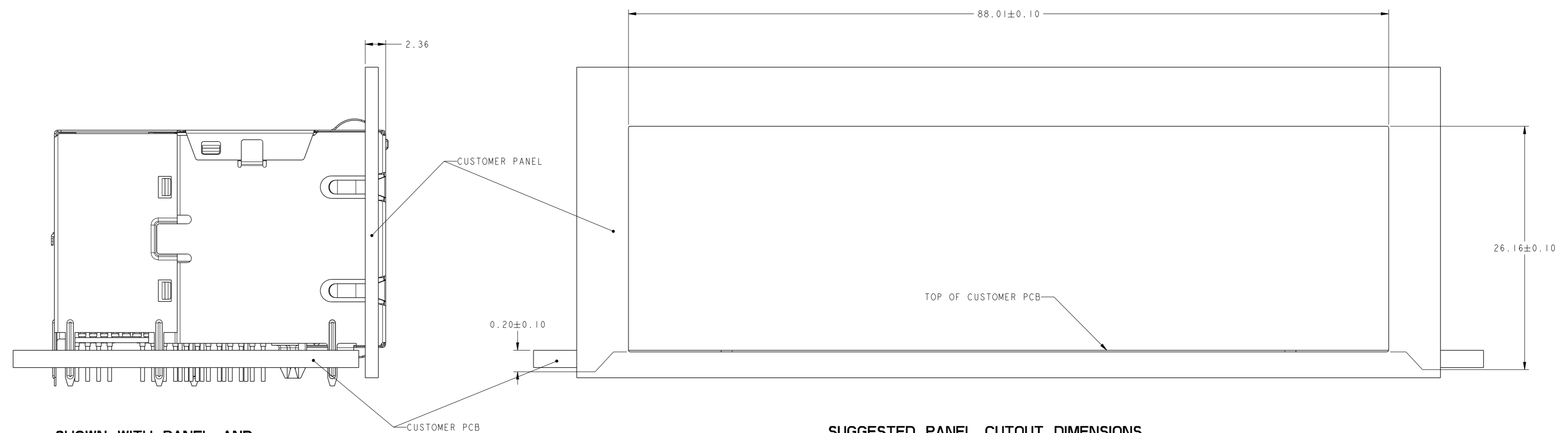


PHY SIDE STUB PINS AREA. IT IS RECOMMENDED THAT ANY VIA HOLES, TRACES WHICH HAVE EQUAL POTENTIAL AS THE CABLE SIDE SIGNAL OR POE SIGNAL SHOULD HAVE ENOUGH CLEARANCE FROM THE SHADED AREA FOR ISOLATION VOLTAGE.



PORT ASSIGNMENT & LED HOLE DESIGNATIONS COMPONENT SIDE VIEW

THIS DRAWING IS A CONTROLLED DOCUMENT AND COMPLIANT TO ASME Y14.5M		DWG: RICK LI TOMAT2021 CHK: TERRY LIN TOMAT2021 APPR: TONY YUAN TOMAT2021	DONGGUAN CHINA
DIMENSIONS: mm 	TOLERANCES UNLESS OTHERWISE SPECIFIED: 0 PLC ±0.25 1 PLC ±0.25 2 PLC ±0.25 3 PLC ± 4 PLC ± ANGLES ± APPLICATION SPEC	MODEL NAME: MAGJACK STACK 4PPOE DESC: 2X6 S9UFG05ET 5G 4PPOE 100W CIRCUIT, W/ TOP LED SIZE: A1 CAGE CODE: C=2250765	




SHOWN WITH PANEL AND CUSTOMER PCB ASSEMBLY


SUGGESTED PANEL CUTOUT DIMENSIONS

D
C
B
A

D
C
B
A

THIS DRAWING IS A CONTROLLED DOCUMENT. AND COMPLIANT TO ASME Y14.5M		DNW: RICK LI 10MAY2021	 trp CONNECTOR a bel group DONGGUAN CHINA
DIMENSIONS: mm		CHK: FERRY LIN 10MAY2021	
TOLERANCES UNLESS OTHERWISE SPECIFIED:		APPV: TONY YUAN 10MAY2021	DESC: 2X6 S9UFG05ET 5G 4PPOE 100W CIRCUIT, W/ TOP LED
0 PLC ±0.25	1 PLC ±0.25	MODEL NAME: MAGJACK STACK 4PPOE	SIZE: A1
2 PLC ±0.25	3 PLC ±	APPLICATION SPEC: -	SCALE: NTS
4 PLC ±	ANGLES ±	PRODUCT SPEC: 108-104017	SHEET 4 OF 5
		CUSTOMER DRAWING	REV 1

2250765					STOCK DISPOSITION			
2X6 S9UFG05ET 5G 4PPOE 100W CIRCUIT, W/ TOP LED					A: CONTINUE AS IS		D: USE OLD FIRST	
					B: REWORK		E: PARTS TO CONFORM	
					C: SCRAP			
REVISION HISTORY								
DATE	REV	CHANGES	REASON	APPROVAL	INVENTORY (A,B,C,D,E,F)	WORK IN PROCESS (A,B,C,F)	SUPPLIER ORDERS (A,E,F)	OPEN CUST ORDERS (A,E,F)
10MAY2021	I	-	INITIAL RELEASE	TY	-	-	-	-

THIS DRAWING IS A CONTROLLED DOCUMENT. AND COMPLIANT TO ASME Y14.5M		DNW RICK LI 10MAY2021	 trp CONNECTOR a bel group	DONGGUAN CHINA
DIMENSIONS: mm		CHK TERRY LIN 10MAY2021		APPR TONY YUAN 10MAY2021
TOLERANCES UNLESS OTHERWISE SPECIFIED: 0 PLC ±0.25 1 PLC ±0.25 2 PLC ±0.25 3 PLC ± 4 PLC ± ANGLES ±		MODEL NAME MAGJACK STACK 4PPOE		DESC 2X6 S9UFG05ET 5G 4PPOE 100W CIRCUIT, W/ TOP LED
PRODUCT SPEC 108-104017		APPLICATION SPEC -		SIZE A1
		CUSTOMER DRAWING		SCALE NTS
		SHEET 5		OF 5
		REV I		